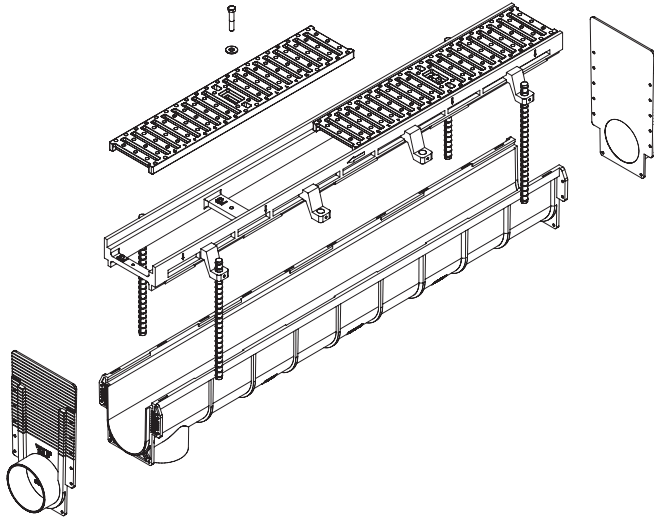




**Dead Level® P**  
Tag: \_\_\_\_\_

**Pre-Sloped Polypropylene  
Trench Drain System w/  
Polypropylene Frame**

**SPECIFICATION:** Watts Dead Level™ P Pre-Sloped Trench Drain System with 6" (152) wide x 48" (1219) long (standard) UV stabilized glass-filled polypropylene frame, UV stabilized talc-filled polypropylene channels with integral 4" (102) No Hub bottom outlet(s). System shall be frame-anchored, with (specify) grating to suit DIN Class (specify) load rating. System to include frame connectors, grate lockdowns, and construction covers. Installation to be performed in accordance with manufacturer's instructions and building code.



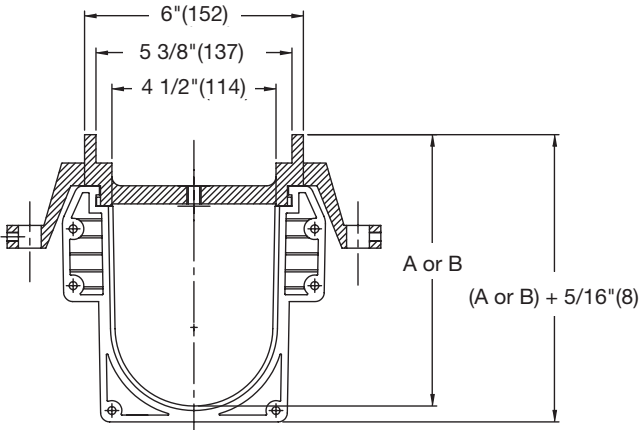
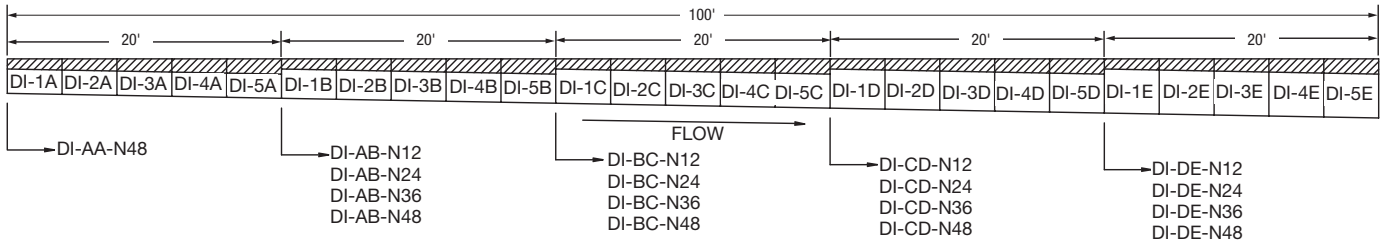
Grate Options:			
Suffix	Description		
-BK	Stainless Steel Brickslot	Class E	<input type="checkbox"/>
-BR	Decorative Bronze**	Class B	<input type="checkbox"/>
-DI	Ductile Iron	Class C*	<input type="checkbox"/>
-DI-ADA	Ductile Iron ADA	Class C*	<input type="checkbox"/>
-FG	Fiberglass*	Class A	<input type="checkbox"/>
-GDI	Galvanized Ductile Iron**	Class C*	<input type="checkbox"/>
-GP	Galvanized Perforated	Class A	<input type="checkbox"/>
-GS	Galvanized Slotted	Class A	<input type="checkbox"/>
-PP	Polypropylene**	Class C	<input type="checkbox"/>
-RGP	Reinforced Galvanized Perforated	Class C*	<input type="checkbox"/>
-RGS	Reinforced Galvanized Slotted	Class C*	<input type="checkbox"/>
-RSP	Reinforced Stainless Steel Perforated	Class C*	<input type="checkbox"/>
-RSS	Reinforced Stainless Steel Slotted	Class C*	<input type="checkbox"/>
-SP	Stainless Steel Perforated	Class A	<input type="checkbox"/>
-SS	Stainless Steel Slotted	Class A	<input type="checkbox"/>
-SCI	Solid Cast Iron**	Class C*	<input type="checkbox"/>

\*Load Class E with Frame Guards

Options:			
Suffix	Description		
-B6	6"x24"x24" Catch Basin		<input type="checkbox"/>
-B6T	6"x24"x24" Catch Basin w/Trash Basket		<input type="checkbox"/>
-B24	24"x24"x24" Catch Basin (DI Grate Only)		<input type="checkbox"/>
-B24T	24"x24"x24" Catch Basin w/Trash Basket (DI Grate Only)		<input type="checkbox"/>
-FG	Galvanized Steel Frame Guard		<input type="checkbox"/>
-FS	Stainless Steel Frame Guard		<input type="checkbox"/>
-US	Buy American Compliant		<input type="checkbox"/>

\*\* Not Available With -US

Patent# US 7,967,523 B2



**NOTICE**

The information contained herein is not intended to replace the full product installation and safety information available or the experience of a trained product installer. You are required to thoroughly read all installation instructions and product safety information before beginning the installation of this product

Job Name \_\_\_\_\_ Contractor \_\_\_\_\_

Job Location \_\_\_\_\_ Contractor's P.O. No. \_\_\_\_\_

Engineer \_\_\_\_\_ Representative \_\_\_\_\_

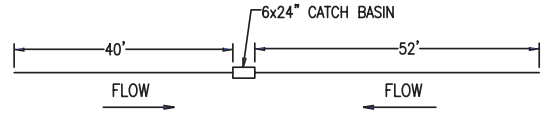
## Dead Level® P Dimensional Data

Part #	Configuration	Length	Weight (lbs.)	Dim. A	Dim. B
PP-AA-N48	Neutral	48" (1219)	9	5-5/8" (143)	5-5/8" (143)
PP-1A	Sloped	48" (1219)	9	5-5/8" (143)	5-15/16" (151)
PP-2A	Sloped	48" (1219)	9	5-15/16" (151)	6-1/4" (159)
PP-3A	Sloped	48" (1219)	9	6-1/4" (159)	6-9/16" (167)
PP-4A	Sloped	48" (1219)	10	6-9/16" (167)	6-7/8" (175)
PP-5A	Sloped	48" (1219)	10	6-7/8" (175)	7-3/16" (183)
PP-AB-N12	Neutral	12" (305)	3	7-3/16" (183)	7-3/16" (183)
PP-AB-N24	Neutral	24" (610)	6	7-3/16" (183)	7-3/16" (183)
PP-AB-N36	Neutral	36" (914)	9	7-3/16" (183)	7-3/16" (183)
PP-AB-N48	Neutral	48" (1219)	10	7-3/16" (183)	7-3/16" (183)
PP-1B	Sloped	48" (1219)	10	7-3/16" (183)	7-1/2" (191)
PP-2B	Sloped	48" (1219)	10	7-1/2" (191)	7-13/16" (198)
PP-3B	Sloped	48" (1219)	10	7-13/16" (198)	8-1/8" (206)
PP-4B	Sloped	48" (1219)	11	8-1/8" (206)	8-7/16" (214)
PP-5B	Sloped	48" (1219)	11	8-7/16" (214)	8-3/4" (222)
PP-BC-N12	Neutral	12" (305)	3	8-3/4" (222)	8-3/4" (222)
PP-BC-N24	Neutral	24" (610)	6	8-3/4" (222)	8-3/4" (222)
PP-BC-N36	Neutral	36" (914)	9	8-3/4" (222)	8-3/4" (222)
PP-BC-N48	Neutral	48" (1219)	10	8-3/4" (222)	8-3/4" (222)
PP-1C	Sloped	48" (1219)	11	8-3/4" (222)	9-1/16" (230)
PP-2C	Sloped	48" (1219)	11	9-1/16" (230)	9-3/8" (238)
PP-3C	Sloped	48" (1219)	11	9-3/8" (238)	9-11/16" (246)
PP-4C	Sloped	48" (1219)	12	9-11/16" (246)	10" (254)
PP-5C	Sloped	48" (1219)	12	10" (254)	10-5/16" (262)
PP-CD-N12	Neutral	12" (305)	3	10-5/16" (262)	10-5/16" (262)
PP-CD-N24	Neutral	24" (610)	6	10-5/16" (262)	10-5/16" (262)
PP-CD-N36	Neutral	36" (914)	9	10-5/16" (262)	10-5/16" (262)
PP-CD-N48	Neutral	48" (1219)	10	10-5/16" (262)	10-5/16" (262)
PP-1D	Sloped	48" (1219)	12	10-5/16" (262)	10-5/8" (270)
PP-2D	Sloped	48" (1219)	12	10-5/8" (270)	10-15/16" (278)
PP-3D	Sloped	48" (1219)	12	10-15/16" (278)	11-1/4" (286)
PP-4D	Sloped	48" (1219)	13	11-1/4" (286)	11-9/16" (294)
PP-5D	Sloped	48" (1219)	13	11-9/16" (294)	11-7/8" (302)
PP-DE-N12	Neutral	12" (305)	4	11-7/8" (302)	11-7/8" (302)
PP-DE-N24	Neutral	24" (610)	7	11-7/8" (302)	11-7/8" (302)
PP-DE-N36	Neutral	36" (914)	10	11-7/8" (302)	11-7/8" (302)
PP-DE-N48	Neutral	48" (1219)	11	11-7/8" (302)	11-7/8" (302)
PP-1E	Sloped	48" (1219)	13	11-7/8" (302)	12-3/16" (310)
PP-2E	Sloped	48" (1219)	13	12-3/16" (310)	12-1/2" (318)
PP-3E	Sloped	48" (1219)	13	12-1/2" (318)	12-13/16" (325)
PP-4E	Sloped	48" (1219)	14	12-13/16" (325)	13-1/8" (333)
PP-5E	Sloped	48" (1219)	14	13-1/8" (333)	13-7/16" (341)

## How to Configure & Order Dead Level® Trench System

### 1. Sketch General Layout

For each separate trench configuration show length(s), position of outlet(s), direction of flow(s), and position of catch basins (if required).



### 2. Specify Frame

Ductile Iron  
Polypropylene

### Ordering Code

D or DX  
P

### 3. Specify Length in Feet

(Do not include Catch Basins)

Numeric

### 4. Specify Outlet

Straight Run End Outlet  
Straight Run Center Outlet  
Other Configuration

EO  
CO  
XO

### 5. Specify Grating

Brickslot  
Ductile Iron  
ADA Ductile Iron  
Galvanized Ductile Iron  
Galvanized Steel Slotted  
Galvanized Steel Perforated  
Stainless Steel Slotted  
Stainless Steel Perforated  
Reinforced Galvanized Steel Slotted  
Reinforced Galvanized Steel Perforated  
Reinforced Stainless Steel Slotted  
Reinforced Stainless Steel Perforated  
Polypropylene

BK  
DI  
DI-ADA  
GDI  
GS  
GP  
SS  
SP  
RGS  
RGP  
RSS  
RSP  
PP

### 6. Specify Catch Basin

(If Required)

6x6x24" Catch Basin  
24x24x24" Catch Basin

B6  
B24

### 7. Specify Frame Guards

(If Required)

Galvanized Steel  
Stainless Steel

FG  
FS

### 8a. Configure Straight Run (EO or CO)

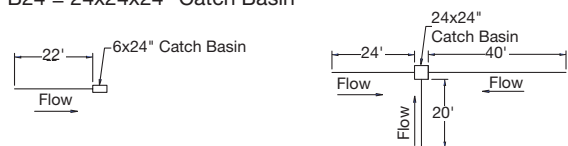
EX. P22-EO-RSS-B6-FS

P = Polypropylene  
22 = Trench Length in Feet  
EO = End Outlet  
RSS = Reinforced Stainless Steel Slotted Grates  
B6 = 6x24x24" Catch Basin  
FS = Stainless Steel Frame Guard

### 8b. Configure Special Run (XO)

EX. D84-XO-DI-B24

D = Ductile Iron Frame  
84 = Trench Length in Feet  
XO = Other Configuration (Provide Sketch or Describe)  
DI = Ductile Iron  
B24 = 24x24x24" Catch Basin



USA: Tel: (800) 338-2581 • Fax: (828) 248-3929 • Watts.com

Canada: Tel: (905) 332-4090 • Fax: (905) 332-7068 • Watts.ca

Latin America: Tel: (52) 81-1001-8600 • Fax: (52) 81-8000-7091 • Watts.com