



# FD-100-C-DD

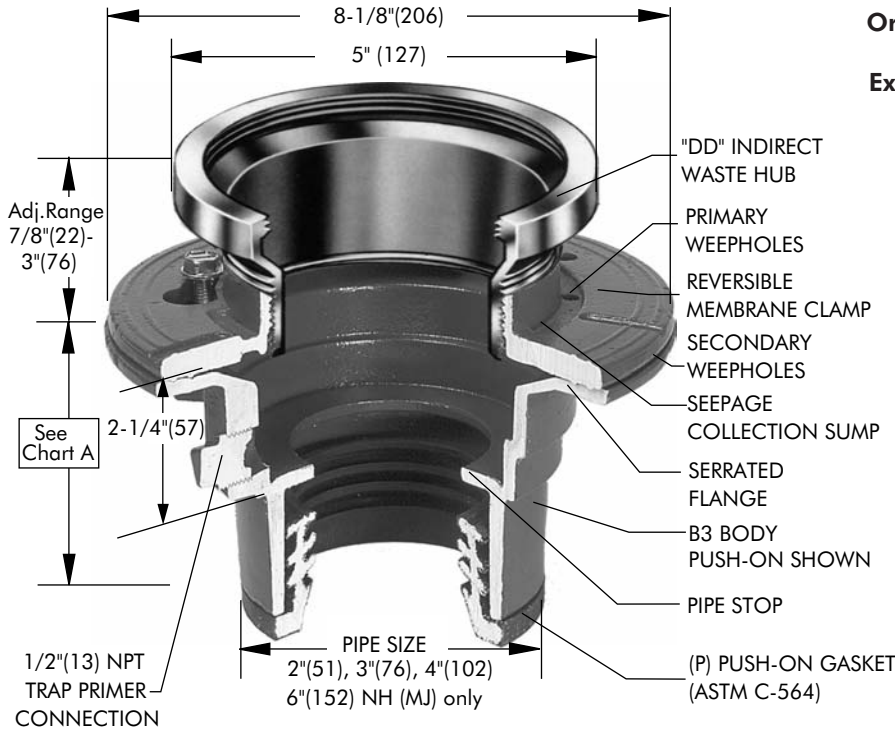
Tag: \_\_\_\_\_

## Floor Drain with Hub Funnel

### Components:



**SPECIFICATION:** Watts Drainage Products FD-100-C-DD epoxy coated cast iron floor drain with anchor flange, reversible membrane clamp with primary and secondary weepholes, adjustable nickel bronze (standard) hub funnel, and no hub (MJ) (standard) outlet.



Free Area

Suffix	Load Rating	Free Area Sq. In.
DD-1	NOT	14
DD-50	APPLICABLE	14

Chart A

	Std.	P	T	X	60/61
Pipe Size	No Hub	Push On	Female Thread	Inside Caulk	PVC/ABS
2"(51)	3-5/8"(92)	4-1/4"(108)	4-1/4"(108)	4-1/2"(114)	3-3/4"(95)
3"(76)	3-5/8"(92)	4-1/4"(108)	4-1/4"(108)	4-1/2"(114)	3-3/4"(95)
4"(102)	3-5/8"(92)	4-1/4"(108)	4-1/4"(108)	4-1/2"(114)	4"(102)
6"(152)	3-1/2"(89)				

Order Code: FD-10 [ ] [ ] -C- [ ] - [ ] - [ ]

Ex. FD-102P-C-DD-1

Pipe Sizing (Select One)		
Suffix	Description	
2	2"(51) Pipe Size	<input type="checkbox"/>
3	3"(76) Pipe Size	<input type="checkbox"/>
4	4"(102) Pipe Size	<input type="checkbox"/>
6	6"(152) Pipe Size	<input type="checkbox"/>

Outlet Type (Select One)		
Suffix	Description	
NH	No Hub (MJ)	<input type="checkbox"/>
P	Push On	<input type="checkbox"/>
T	Threaded Outlet	<input type="checkbox"/>
X	Inside Caulk	<input type="checkbox"/>

Funnel Hub (Select One)		
Suffix	Description	
DD-1	Nickel Bronze	<input type="checkbox"/>
DD-50	Cast Iron	<input type="checkbox"/>

Options (Select One or More)		
Suffix	Description	
-5	Sediment Bucket	<input type="checkbox"/>
-6	Vandal Proof	<input type="checkbox"/>
-8	Backwater Valve (3" / 4" Only)	<input type="checkbox"/>
-12	Galvanized Top	<input type="checkbox"/>
-13	All Galvanized	<input type="checkbox"/>
-113M	Special Epoxy from 3M Range	<input type="checkbox"/>
-EF4-1	4" Round Nickel Bronze Funnel	<input type="checkbox"/>
-EF4-50	4" Round Cast Iron Funnel	<input type="checkbox"/>
-EF6-1	6" Round Nickel Bronze Funnel	<input type="checkbox"/>
-EG-1	4x9" Oval Nickel Bronze Funnel	<input type="checkbox"/>
-EG-50	4x9" Oval Cast Iron Funnel	<input type="checkbox"/>
-Z	Elastomeric Flange	<input type="checkbox"/>
-SO	Side Outlet	<input type="checkbox"/>

Optional Body Material (NH Only)		
Suffix	Description	
-60	PVC Body w/Socket Outlet	<input type="checkbox"/>
-61	ABS Body w/Socket Outlet	<input type="checkbox"/>

Job Name \_\_\_\_\_ Contractor \_\_\_\_\_

Job Location \_\_\_\_\_ Contractor's P.O. No. \_\_\_\_\_

Engineer \_\_\_\_\_ Representative \_\_\_\_\_

WATTS Drainage reserves the right to modify or change product design or construction without prior notice and without incurring any obligation to make similar changes and modifications to products previously or subsequently sold. See your WATTS Drainage representative for any clarification. Dimensions are subject to manufacturing tolerances.



CANADA: 5435 North Service Road, Burlington, ON, L7L 5H7 TEL: 905-332-6718 TOLL-FREE: 1-888-208-8927 Website: www.wattsdrainage.ca

