



**FD-170-P**  
Tag: \_\_\_\_\_

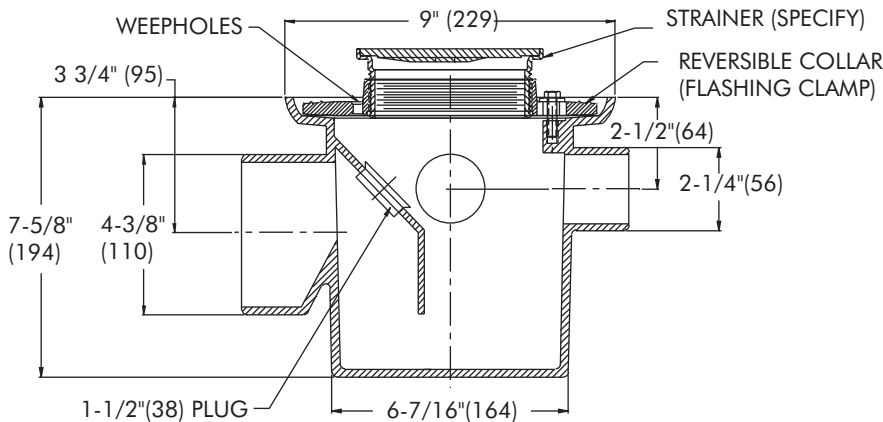
**Floor Drain with  
Integral Trap**

**Components:**



**SPECIFICATION:** Watts Drainage Products FD-170-P epoxy coated cast iron body with integral trap & 1-1/2"(38) plug, flashing reversible clamp and satin nickel bronze (standard) adjustable strainer.

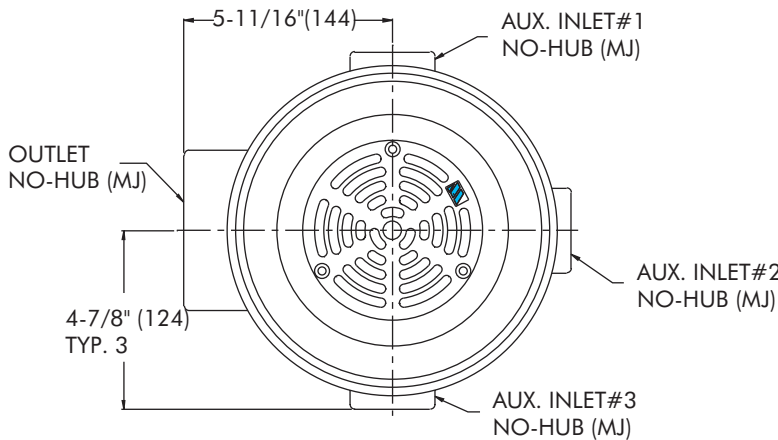
Order Code: **FD-170-P-**  -



Ex. **FD-170-P-5-4**

Strainer (Select One)		
Suffix	Description	
A5-1	5"(127) Diameter, Nickel Bronze	<input type="checkbox"/>
A5-3	5"(127) Diameter, Stainless Steel	<input type="checkbox"/>
A6-1	6"(152) Diameter, Nickel Bronze	<input type="checkbox"/>
A6-3	6"(152) Diameter, Stainless Steel	<input type="checkbox"/>
A7-1	7"(178) Diameter, Nickel Bronze	<input type="checkbox"/>
A8-1	8"(203) Diameter, Nickel Bronze	<input type="checkbox"/>
5-1	5"(127) Diameter, Nickel Bronze	<input type="checkbox"/>
5-4	5"(127) Diameter, Ductile Iron	<input type="checkbox"/>
6-1	6"(152) Diameter, Nickel Bronze	<input type="checkbox"/>
8-1	8"(203) Diameter, Nickel Bronze	<input type="checkbox"/>
L5-1	5"(127) Sq., Nickel Bronze	<input type="checkbox"/>
L5-4	5"(127) Sq., Ductile Iron	<input type="checkbox"/>
L6-1	6"(152) Sq., Nickel Bronze	<input type="checkbox"/>
L8-1	8"(203) Sq., Nickel Bronze	<input type="checkbox"/>

Options (Select One or More)		
Suffix	Description	
-B	Sediment Bucket	<input type="checkbox"/>
-13	Galvanized Body	<input type="checkbox"/>
-49	Chrome Plated Strainer	<input type="checkbox"/>



Job Name \_\_\_\_\_ Contractor \_\_\_\_\_

Job Location \_\_\_\_\_ Contractor's P.O. No. \_\_\_\_\_

Engineer \_\_\_\_\_ Representative \_\_\_\_\_

WATTS Drainage reserves the right to modify or change product design or construction without prior notice and without incurring any obligation to make similar changes and modifications to products previously or subsequently sold. See your WATTS Drainage representative for any clarification. Dimensions are subject to manufacturing tolerances.



CANADA: 5435 North Service Road, Burlington, ON, L7L 5H7 TEL: 905-332-6718 TOLL-FREE: 1-888-208-8927 Website: www.wattsdrainage.ca

