



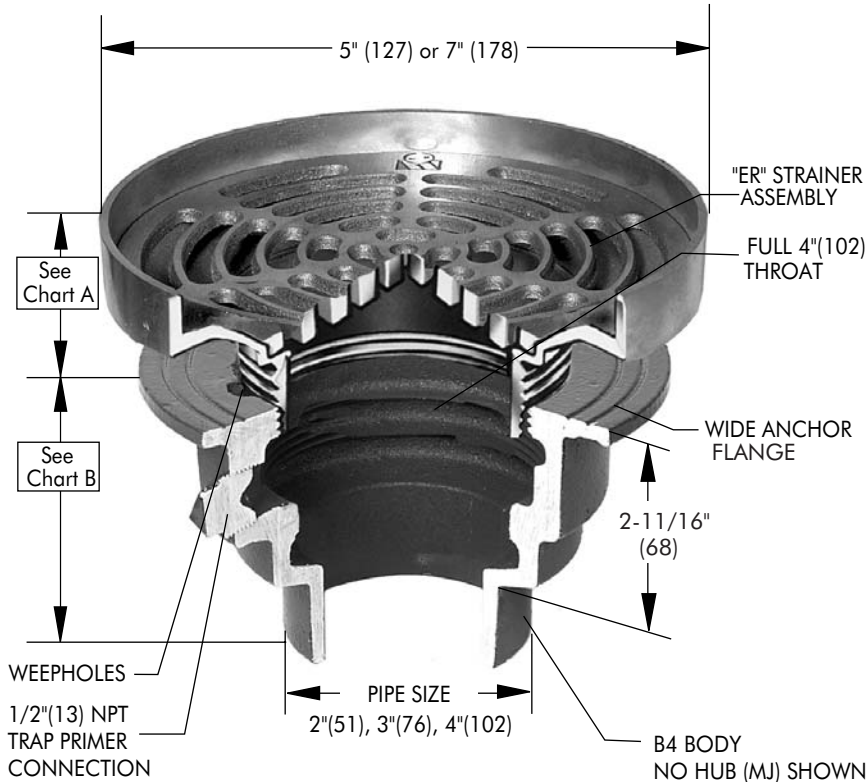
FD-200-ER
Tag: _____

**Floor Drain with
Extended Rim Strainer**

Components:



SPECIFICATION: Watts Drainage Products FD-200-ER epoxy coated cast iron floor drain with anchor flange, weepholes, 1/4"(6) thick (specify diameter) adjustable nickel bronze (standard) extended rim strainer, and no hub (MJ) (standard) outlet.



Order Code: **FD-20** - - -

Ex. **FD-202P-ER5-1**

| Pipe Sizing (Select One) | |
|--------------------------|--|
| Suffix | Description |
| 2 | 2"(51) Pipe Size <input type="checkbox"/> |
| 3 | 3"(76) Pipe Size <input type="checkbox"/> |
| 4 | 4"(102) Pipe Size <input type="checkbox"/> |

| Outlet Type (Select One) | |
|--------------------------|--------------------------------------|
| Suffix | Description |
| NH | No Hub (MJ) <input type="checkbox"/> |
| P | Push On <input type="checkbox"/> |

| Strainer (Select One) | |
|-----------------------|--|
| Suffix | Description |
| ER5-1 | 5"(127) Diameter, Nickel Bronze <input type="checkbox"/> |
| ER7-1 | 7"(178) Diameter, Nickel Bronze <input type="checkbox"/> |

| Options (Select One or More) | |
|------------------------------|---|
| Suffix | Description |
| -5 | Sediment Bucket <input type="checkbox"/> |
| -6 | Vandal Proof <input type="checkbox"/> |
| -8 | Backwater Valve (3" / 4" Only) <input type="checkbox"/> |
| -12 | Galvanized Top <input type="checkbox"/> |
| -13 | All Galvanized <input type="checkbox"/> |
| -15 | Strainer Extension (DD-50) <input type="checkbox"/> |
| -113M | Special Epoxy from 3M Range <input type="checkbox"/> |
| -F4-50 | 4" Round Cast Iron Funnel <input type="checkbox"/> |
| -F4-1 | 4" Round Nickel Bronze Funnel <input type="checkbox"/> |
| -F6-1 | 6" Round Nickel Bronze Funnel <input type="checkbox"/> |
| -G-50 | 4x9" Oval Cast Iron Funnel <input type="checkbox"/> |
| -G-1 | 4x9" Oval Nickel Bronze Funnel <input type="checkbox"/> |
| -Z | Elastomeric Flange <input type="checkbox"/> |

| Optional Body Material (NH Only) | |
|----------------------------------|---|
| Suffix | Description |
| -60 | PVC Body w/Socket Outlet <input type="checkbox"/> |
| -61 | ABS Body w/Socket Outlet <input type="checkbox"/> |

Chart A

| Str. Dia. | Min. | Max. | Load Rating | Free Area Sq. In. |
|-----------|-----------|------------|----------------|-------------------|
| 5"(127) | 7/16"(11) | 1-5/8"(41) | NOT APPLICABLE | 9 |
| 7"(178) | 1"(25) | 2-1/4"(57) | NOT APPLICABLE | 13 |

Chart B

| | Std. | P | 60/61 |
|-----------|--------|---------|------------|
| Pipe Size | No Hub | Push On | PVC/ABS |
| 2"(51) | 3"(76) | 4"(102) | 4"(102) |
| 3"(76) | 3"(76) | 4"(102) | 3-3/4"(95) |
| 4"(102) | 3"(76) | 4"(102) | 3-3/4"(95) |

Job Name _____ Contractor _____

Job Location _____ Contractor's P.O. No. _____

Engineer _____ Representative _____

Watts Drainage reserves the right to modify or change product design or construction without prior notice and without incurring any obligation to make similar changes and modifications to products previously or subsequently sold. See your WATTS Drainage representative for any clarification. Dimensions are subject to manufacturing tolerances.



CANADA: 5435 North Service Road, Burlington, ON, L7L 5H7 TEL: 905-332-6718 TOLL-FREE: 1-888-208-8927 Website: www.wattsdrainage.ca



© Watts Drainage 2004