

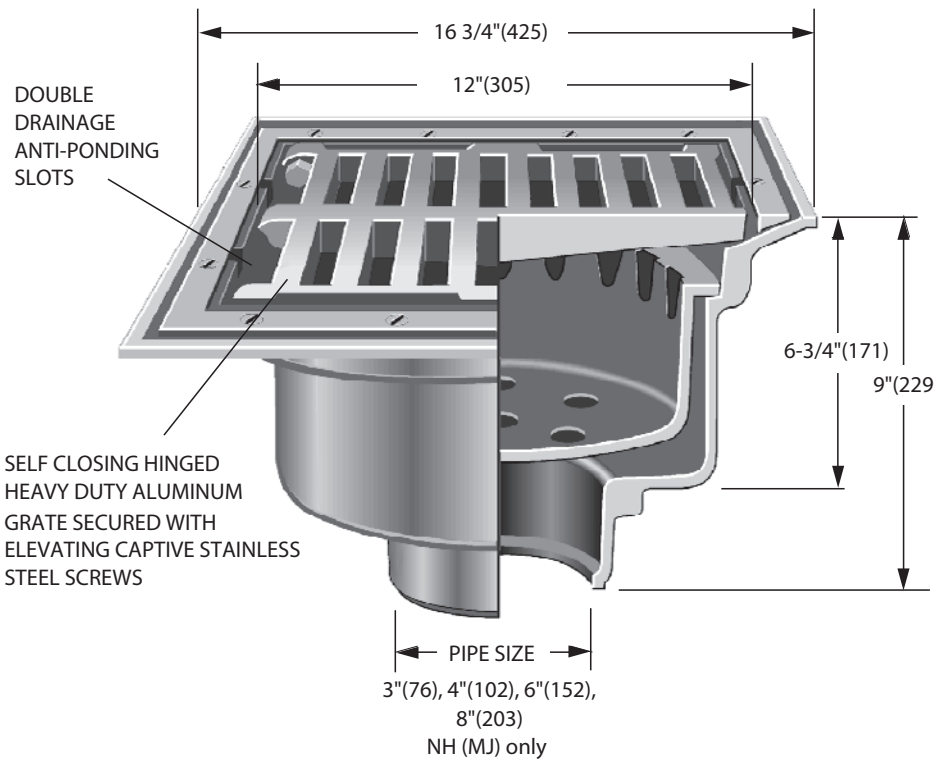


Tag: **FD-490-F-80**

Durable All Aluminum Parking Area Structure Drain with Heavy Duty Grate and Bucket

SPECIFICATION: Watts Drainage Products FD-490-F-80 epoxy coated aluminum parking structure drain with 16 3/4"(425) square anti-ponding top with membrane clamping flange, heavy duty self-closing hinged aluminum grate with stainless steel hinge pins, sediment bucket, and no hub (MJ) (standard) outlet.

FUNCTION: Recommended for installation in durable parking structures, etc., where a large capacity drain with top membrane clamping flange and the safety of a secured hinged grate is required.



Order Code: FD-49 -F-80

Ex. FD-493-F-80

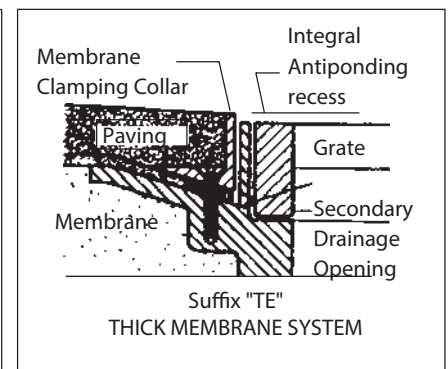
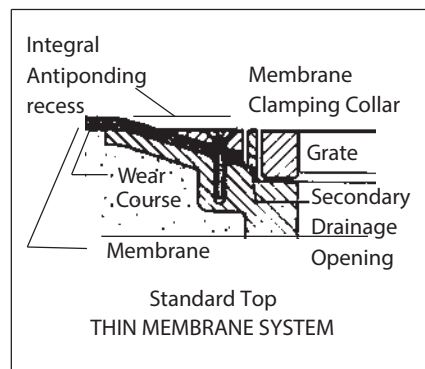
Pipe Sizing (Select One)	
Suffix	Description
3	3"(76) Pipe Size <input type="checkbox"/>
4	4"(102) Pipe Size <input type="checkbox"/>
6	6"(152) Pipe Size <input type="checkbox"/>
8	8"(203) Pipe Size <input type="checkbox"/>

Options (Select One or More)	
Suffix	Description
-6	Vandal Proof <input type="checkbox"/>
-10	Secured Top c/w Phillips Screws <input type="checkbox"/>
-TE	Top Extended Body for Thick Membrane System <input type="checkbox"/>
-78 EXT	1 1/2" Extension <input type="checkbox"/>

Load Rating & Free Area

Suffix	Load Rating	Free Area Sq. In.
F-80	*XHD	41

* The load classifications are in accordance with the American National Standards ASME A112.21.1M ASME Ratings are as follows:
XHD - Safe Live Load 7500-10000 lbs.(3375-4500kg)
The above categories are given as a guide only. Please consult factory.



Job Name _____ Contractor _____

Job Location _____ Contractor's P.O. No. _____

Engineer _____ Representative _____

WATTS Drainage reserves the right to modify or change product design or construction without prior notice and without incurring any obligation to make similar changes and modifications to products previously or subsequently sold. See your WATTS Drainage representative for any clarification. Dimensions are subject to manufacturing tolerances.



Specification Drainage Products CANADA: 5435 North Service Road, Burlington, ON, L7L 5H7 TEL: 905-332-6718 TOLL-FREE: 1-888-208-8927 Website: www.wattscanada.ca