

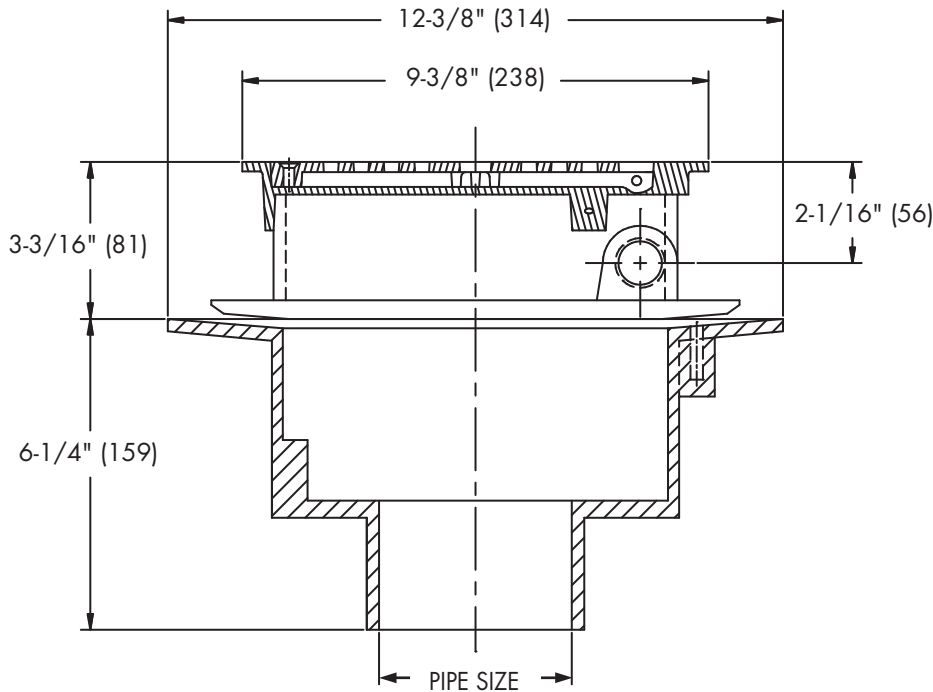


FD-820

Flushing Rim Floor Drain

Tag: \_\_\_\_\_

**SPECIFICATION:** Watts Drainage FD-820 flushing rim floor drain with white epoxy coated cast iron body, 9-3/8"(238) diameter heel proof nickel bronze top with hinged grate, 3/4"(19) flushing connection, and no hub (standard) outlet.



Pipe Sizing (Select One)		
Suffix	Description	
2	2"(51) Pipe Size	<input type="checkbox"/>
3	3"(76) Pipe Size	<input type="checkbox"/>
4	4"(102) Pipe Size	<input type="checkbox"/>

Outlet Type (Select One)		
Suffix	Description	
NH	No Hub (MJ)	<input type="checkbox"/>
P	Push On	<input type="checkbox"/>
T	Threaded Outlet	<input type="checkbox"/>
X	Inside Caulk	<input type="checkbox"/>

Options (Select One or More)		
Suffix	Description	
-6	Vandal Proof	<input type="checkbox"/>
-US	Buy American Compliant	<input type="checkbox"/>

Load Rating	Free Area Sq. In.
*MD	18

**NOTICE**

The load classifications are in accordance with the American National Standards ASME A112.21.1M ASME Ratings are as follows:  
MD - Safe Live Load 2000-4999 lbs.(900-2250kg)  
The above categories are given as a guide only.  
Please consult factory.

Job Name \_\_\_\_\_

Contractor \_\_\_\_\_

Job Location \_\_\_\_\_

Contractor's P.O. No. \_\_\_\_\_

Engineer \_\_\_\_\_

Representative \_\_\_\_\_

Watts product specifications in U.S. customary units and metric are approximate and are provided for reference only. For precise measurements, please contact Watts Technical Service. Watts reserves the right to change or modify product design, construction, specifications, or materials without prior notice and without incurring any obligation to make such changes and modifications on Watts products previously or subsequently sold.



A Watts Water Technologies Company

USA: Tel: (800) 338-2581 • Fax: (828) 248-3929 • Watts.com  
Canada: Tel: (905) 332-4090 • Fax: (905) 332-7068 • Watts.ca  
Latin America: Tel: (52) 81-1001-8600 • Fax: (52) 81-8000-7091 • Watts.com