

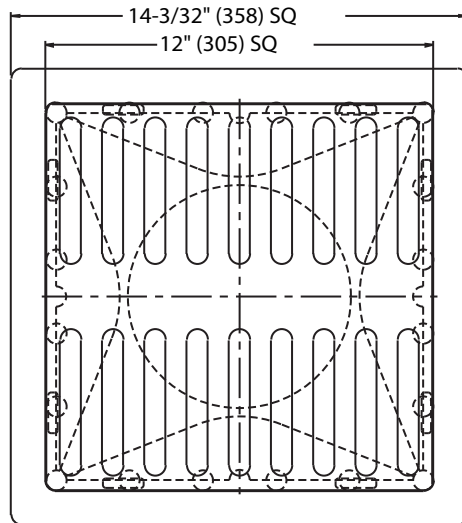


FS-500

Tag: \_\_\_\_\_

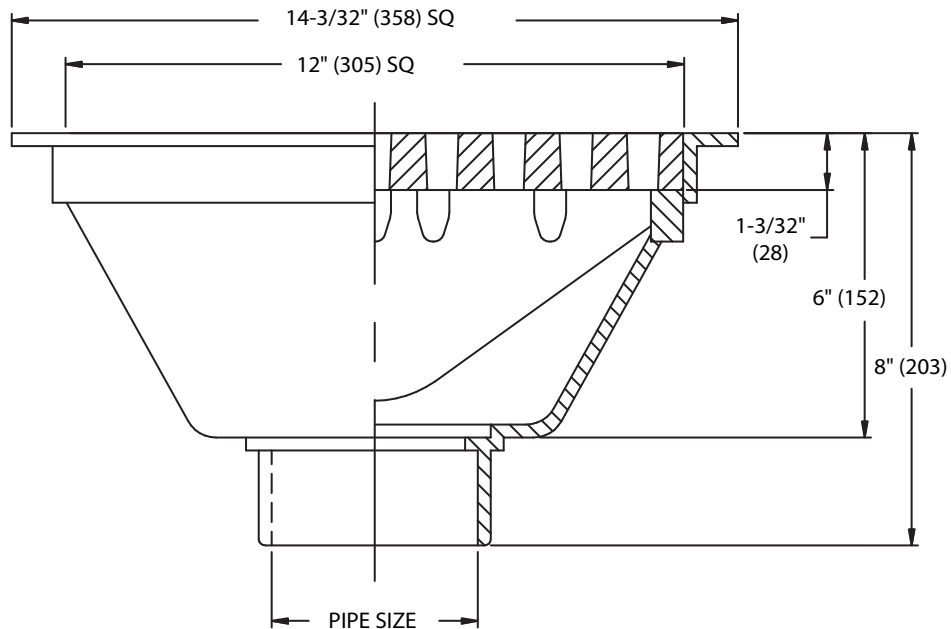
12" Square x 6" Deep  
Sanitary Floor Sink

SPECIFICATION: Watts Drainage FS-500 12"(305) square x 6"(152) deep PVC sanitary floor sink with secured grate, and socket outlet.



Pipe Sizing (Select One)		
Suffix	Description	
2	2"(51) Pipe Size	<input type="checkbox"/>
3	3"(76) Pipe Size	<input type="checkbox"/>
4	4"(102) Pipe Size	<input type="checkbox"/>

Options (Select One or More)		
Suffix	Description	
-5	Sediment Bucket	<input type="checkbox"/>
-6	Vandal Proof	<input type="checkbox"/>
-22	Less Grate	<input type="checkbox"/>
-150	1/2"(13) Grate	<input type="checkbox"/>
-175	3/4"(19) Grate	<input type="checkbox"/>
-D5	Dome Bottom Strainer	<input type="checkbox"/>



Job Name \_\_\_\_\_ Contractor \_\_\_\_\_

Job Location \_\_\_\_\_ Contractor's P.O. No. \_\_\_\_\_

Engineer \_\_\_\_\_ Representative \_\_\_\_\_

WATTS Drainage reserves the right to modify or change product design or construction without prior notice and without incurring any obligation to make similar changes and modifications to products previously or subsequently sold. See your WATTS Drainage representative for any clarification. Dimensions are subject to manufacturing tolerances.



CANADA: 5435 North Service Road, Burlington, ON, L7L 5H7 TEL: 905-332-6718 TOLL-FREE: 1-888-208-8927 Website: www.wattsdrainage.ca

