



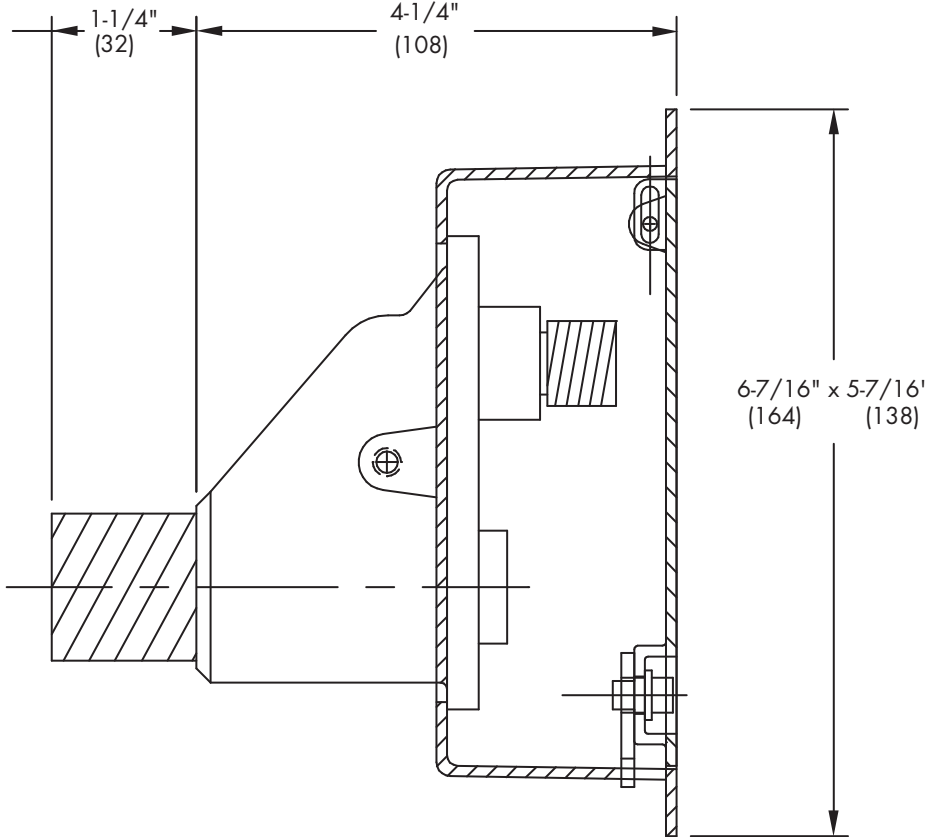
HY-330

Tag: _____

Moderate Climate Wall Hydrant with NB Box, Integral Vacuum Breaker

SPECIFICATION: Watts Drainage HY-330 concealed moderate climate key operated wall hydrant with nickel bronze box and door, chrome plated hydrant face, integral vacuum breaker, 3/4"(19) hose connection, 3/4"(19) female x 1"(25) male pipe connection, all bronze head, seat casting and internal working parts, and loose key. Complies with ASSE 1019-2004, UPC/IAMPO Listed. Max. operating pressure 125 psi.

TOP VIEW



Suffix	Option Description	
-K	Cylinder Lock	<input type="checkbox"/>
-3	Stainless Steel Box	<input type="checkbox"/>
-CIA	Complete Internal Assembly (Repair Kit)	<input type="checkbox"/>
-R	Round Stainless Steel Box	<input type="checkbox"/>

Recommended Wall Opening:
5-1/4" x 6-1/4" (133 x 158)

Job Name _____ Contractor _____

Job Location _____ Contractor's P.O. No. _____

Engineer _____ Representative _____

WATTS Drainage reserves the right to modify or change product design or construction without prior notice and without incurring any obligation to make similar changes and modifications to products previously or subsequently sold. See your WATTS Drainage representative for any clarification. Dimensions are subject to manufacturing tolerances.



Specification Drainage Products

USA: 100 Watts Road, Spindale, NC, 28160-2298; TEL: 828-288-2179 TOLL-FREE: 1-800-338-2581 www.watts.com