

For Commercial Applications

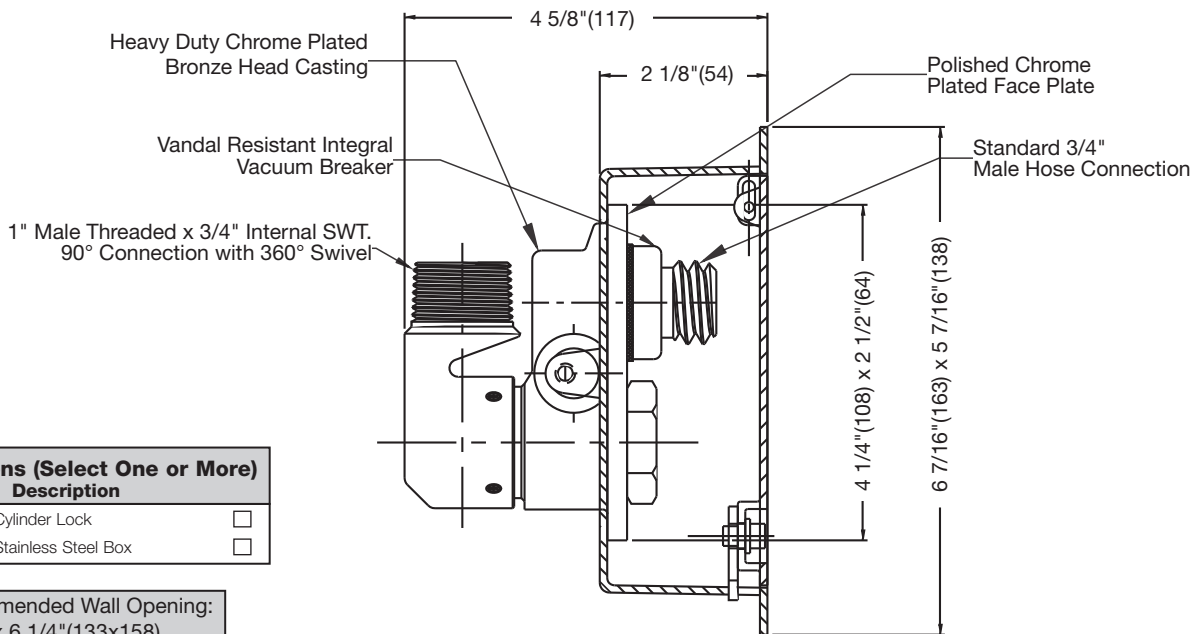
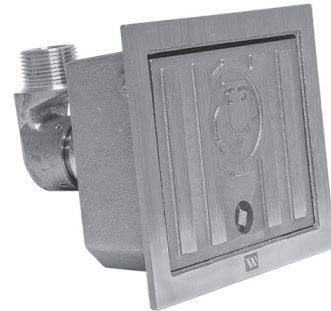
Job Name _____
 Job Location _____
 Engineer _____
 Approval _____
 Tag _____

Contractor _____
 Approval _____
 Contractor's P.O. No. _____
 Representative _____

HY-450 Moderate Climate Narrow Wall Hydrant w/NB Box

Specification

Watts HY-450 concealed moderate climate anti-siphon narrow wall hydrant with nickel bronze box, chrome plated face, integral vacuum breaker, 3/4" hose connection, 360 degree swivel pipe connection with 3/4" female / 1" male threads. Bronze head, seat casting, internal working parts, and loose key. Complies with ASSE 1019-2004, UPC/IAPMO Listed. Max. operating pressure 125 psi.



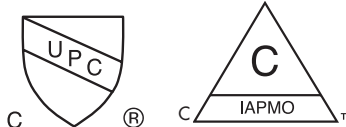
Options (Select One or More)		
Suffix	Description	
-K	Cylinder Lock	<input type="checkbox"/>
-3	Stainless Steel Box	<input type="checkbox"/>

Recommended Wall Opening:
 5 1/4" x 6 1/4" (133x158)

NOTICE

The information contained herein is not intended to replace the full product installation and safety information available or the experience of a trained product installer. You are required to thoroughly read all installation instructions and product safety information before beginning the installation of this product.

Approvals:



Watts product specifications in U.S. customary units and metric are approximate and are provided for reference only. For precise measurements, please contact Watts Technical Service. Watts reserves the right to change or modify product design, construction, specifications, or materials without prior notice and without incurring any obligation to make such changes and modifications on Watts products previously or subsequently sold.



USA: T: (800) 338-2581 • F: (978) 975-8350 • Watts.com
 Canada: T: (905) 332-4090 • F: (905) 332-7068 • Watts.ca
 Latin America: T: (52) 81-1001-8600 • Watts.com