

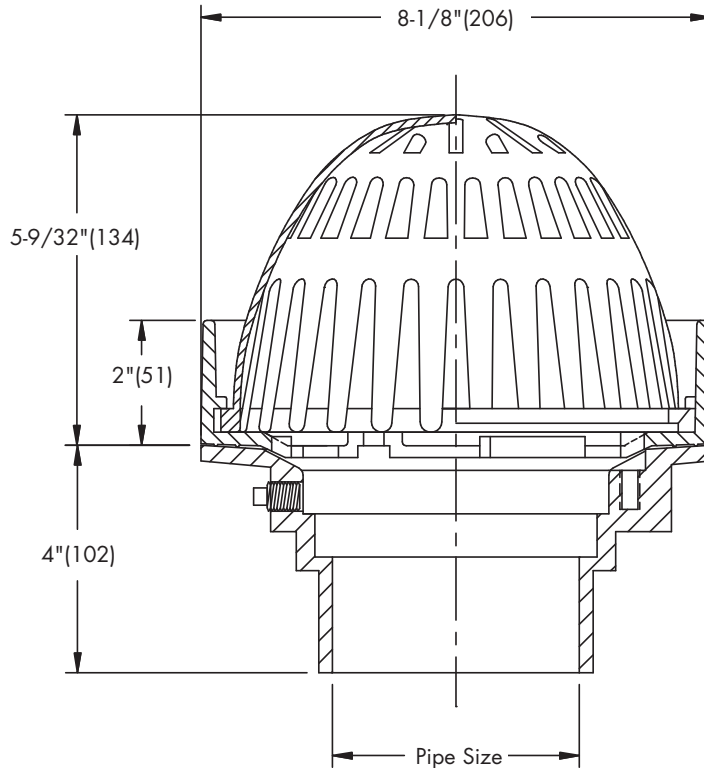


**RD-200-R**

Tag: \_\_\_\_\_

**Overflow Roof Drain with  
2" External Water Dam**

**SPECIFICATION:** Watts Drainage RD-200-R epoxy coated cast iron overflow roof drain with flashing clamp with integral 2" (51) high external water dam, self-locking polyethylene dome (standard), and no hub (standard) outlet.



Pipe Size	Std. No Hub	P Push On	T Female Thread	X Inside Caulk	60/61 PVC/ABS
2"(51)	3-5/8"(92)	4-1/4"(108)	4-1/4"(108)	4-1/4"(108)	3-3/4"(95)
3"(76)	3-5/8"(92)	4-1/4"(108)	4-1/4"(108)	4-1/4"(108)	3-5/8"(92)
4"(102)	3-5/8"(92)	4-1/4"(108)	4-1/4"(108)	4-1/4"(108)	3-7/8"(94)

**NOTICE**

Side Outlet (-SO) option only available in 2"(51), 3"(76), 4"(102) pipe sizes. Underdeck Clamp (-D) options are not available when -SO is selected.

**NOTICE**

The information contained herein is not intended to replace the full product installation and safety information available or the experience of a trained product installer. You are required to thoroughly read all installation instructions and product safety information before beginning the installation of this product

**Free Area  
Sq. In.**  
**35**

**Deck Opening 6-1/2"(165)  
with Sump Receiver 8"(203)**

Components	
B3	B3-R
B3-DM	FC-2

Pipe Size (Select One)	
Suffix	Description
2	2"(51) Pipe Size <input type="checkbox"/>
3	3"(76) Pipe Size <input type="checkbox"/>
4	4"(102) Pipe Size <input type="checkbox"/>

Outlet Type (Select One)	
Suffix	Description
NH	No Hub (MJ) <input type="checkbox"/>
P	Push On <input type="checkbox"/>
T	Threaded Outlet <input type="checkbox"/>
X	Inside Caulk <input type="checkbox"/>

Options (Select One or More)	
Suffix	Description
-13	Galvanized Body & Flashing Clamp <input type="checkbox"/>
-B	Sump Receiver <input type="checkbox"/>
-D	Underdeck Clamp <input type="checkbox"/>
-F	Deck Flange/Adj. Extension <input type="checkbox"/>
-GSS	Stainless Steel Ballast Guard <input type="checkbox"/>
-K	Ductile Iron Dome <input type="checkbox"/>
-K13	Galvanized Dome <input type="checkbox"/>
-K80	Aluminum Dome <input type="checkbox"/>
-K81	Rough Bronze Dome <input type="checkbox"/>
-K83	SS Mesh Covered Aluminum Dome <input type="checkbox"/>
-L	Vandal Proof Dome <input type="checkbox"/>
-SO	Side Outlet <input type="checkbox"/>
-US	Buy American Compliant <input type="checkbox"/>
-W	Adj. Internal Water Dam <input type="checkbox"/>

Optional Body Material	
Suffix	Description
-60	PVC Body w/Socket Outlet <input type="checkbox"/>
-61	ABS Body w/Socket Outlet <input type="checkbox"/>

Job Name \_\_\_\_\_

Contractor \_\_\_\_\_

Job Location \_\_\_\_\_

Contractor's P.O. No. \_\_\_\_\_

Engineer \_\_\_\_\_

Representative \_\_\_\_\_

Watts product specifications in U.S. customary units and metric are approximate and are provided for reference only. For precise measurements, please contact Watts Technical Service. Watts reserves the right to change or modify product design, construction, specifications, or materials without prior notice and without incurring any obligation to make such changes and modifications on Watts products previously or subsequently sold.



A Watts Water Technologies Company

USA: Tel: (800) 338-2581 • Fax: (828) 248-3929 • Watts.com

Canada: Tel: (905) 332-4090 • Fax: (905) 332-7068 • Watts.ca

Latin America: Tel: (52) 81-1001-8600 • Fax: (52) 81-8000-7091 • Watts.com

ES-WD-RD-200-R-USA 1649

© 2016 Watts