



RD-200-W

Tag: _____

Overflow Roof Drain with 4" Internal Water Dam

SPECIFICATION: Watts Drainage RD-200-W epoxy coated cast iron overflow roof drain with flashing clamp with integral 4" (102) high internal standpipe, self-locking polyethylene dome (standard), and no hub (standard) outlet.

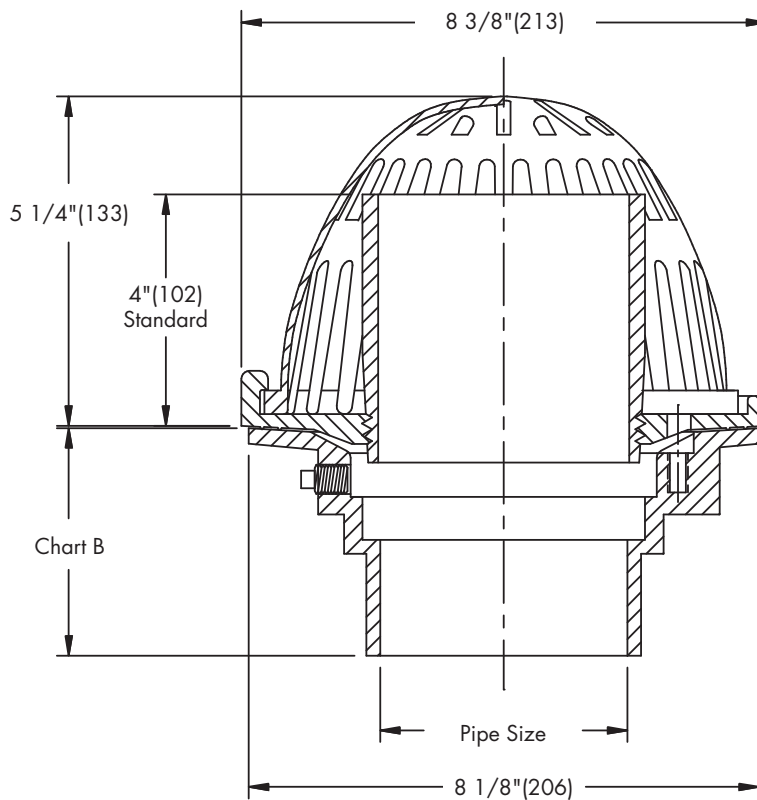


Chart B

| | Std. | P | T | X | 60/61 |
|-----------|------------|-------------|---------------|--------------|------------|
| Pipe Size | No Hub | Push On | Female Thread | Inside Caulk | PVC/ABS |
| 2"(51) | 3-5/8"(92) | 4-1/4"(108) | 4-1/4"(108) | 4-1/4"(108) | 3-3/4"(95) |
| 3"(76) | 3-5/8"(92) | 4-1/4"(108) | 4-1/4"(108) | 4-1/4"(108) | 3-5/8"(92) |
| 4"(102) | 3-5/8"(92) | 4-1/4"(108) | 4-1/4"(108) | 4-1/4"(108) | 3-7/8"(94) |

Free Area
Sq. In.
35

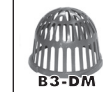
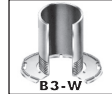
*Side Outlet (-SO) option only available in 2"(51), 3"(76), 4"(102) pipe sizes. Underdeck Clamp (-D options) are not available when -SO is selected.

NOTICE

The information contained herein is not intended to replace the full product installation and safety information available or the experience of a trained product installer. You are required to thoroughly read all installation instructions and product safety information before beginning the installation of this product

**Deck Opening 6-1/2"(165)
with Sump Receiver 8"(203)**

Components



Pipe Sizing (Select One)

| Suffix | Description | |
|--------|-------------------|--------------------------|
| 2 | 2"(51) Pipe Size | <input type="checkbox"/> |
| 3 | 3"(76) Pipe Size | <input type="checkbox"/> |
| 4 | 4"(102) Pipe Size | <input type="checkbox"/> |

Outlet Type (Select One)

| Suffix | Description | |
|--------|-----------------|--------------------------|
| NH | No Hub (MJ) | <input type="checkbox"/> |
| P | Push On | <input type="checkbox"/> |
| T | Threaded Outlet | <input type="checkbox"/> |
| X | Inside Caulk | <input type="checkbox"/> |

Options

| Suffix | Description | |
|--------|----------------------------------|--------------------------|
| -13 | Galvanized Body & Flashing Clamp | <input type="checkbox"/> |
| -B | Sump Receiver | <input type="checkbox"/> |
| -D | Underdeck Clamp | <input type="checkbox"/> |
| -F | Deck Flange/Adj. Extension | <input type="checkbox"/> |
| -GSS | Stainless Steel Ballast Guard | <input type="checkbox"/> |
| -K | Ductile Iron Dome | <input type="checkbox"/> |
| -K13 | Galvanized Dome | <input type="checkbox"/> |
| -K80 | Aluminum Dome | <input type="checkbox"/> |
| -K81 | Rough Bronze Dome | <input type="checkbox"/> |
| -K83 | SS Mesh Covered Aluminum Dome | <input type="checkbox"/> |
| -L | Vandal Proof Dome | <input type="checkbox"/> |
| -SO | Side Outlet | <input type="checkbox"/> |
| -US | Buy American Compliant | <input type="checkbox"/> |
| -W | Adjustable Internal Water Dam | <input type="checkbox"/> |

Optional Body Material

| Suffix | Description | |
|--------|--------------------------|--------------------------|
| -60 | PVC Body w/Socket Outlet | <input type="checkbox"/> |
| -61 | ABS Body w/Socket Outlet | <input type="checkbox"/> |

Job Name _____
 Job Location _____
 Engineer _____

Contractor _____
 Contractor's P.O. No. _____
 Representative _____

Watts product specifications in U.S. customary units and metric are approximate and are provided for reference only. For precise measurements, please contact Watts Technical Service. Watts reserves the right to change or modify product design, construction, specifications, or materials without prior notice and without incurring any obligation to make such changes and modifications on Watts products previously or subsequently sold.

USA: Tel: (800) 338-2581 • Fax: (828) 248-3929 • Watts.com
Canada: Tel: (905) 332-4090 • Fax: (905) 332-7068 • Watts.ca
Latin America: Tel: (52) 81-1001-8600 • Fax: (52) 81-8000-7091 • Watts.com



A Watts Water Technologies Company