

For Commercial Applications

Job Name _____
 Job Location _____
 Engineer _____
 Approval _____
 Tag _____

Contractor _____
 Approval _____
 Contractor's P.O. No. _____
 Representative _____

RD-270

Scupper Drain with Angle Grate

Specification

Watts RD-270 epoxy coated cast iron scupper drain with flashing clamp, secured angle grate, and no hub (standard) outlet.

Pipe Size (Select One)		
Suffix	Description	
2	2" (51) Pipe Size	<input type="checkbox"/>
3	3" (76) Pipe Size	<input type="checkbox"/>
4	4" (102) Pipe Size	<input type="checkbox"/>
6	6" (152) Pipe Size	<input type="checkbox"/>

Options (Select One or More)		
Suffix	Description	
-1	Nickel Bronze Grate & Frame	<input type="checkbox"/>
-6	Vandal Proof Grate	<input type="checkbox"/>
-13	Galvanized	<input type="checkbox"/>
-A	45 Degree Outlet (NH Only)	<input type="checkbox"/>
-T	Threaded Outlet	<input type="checkbox"/>
-US	Buy American Compliant	<input type="checkbox"/>

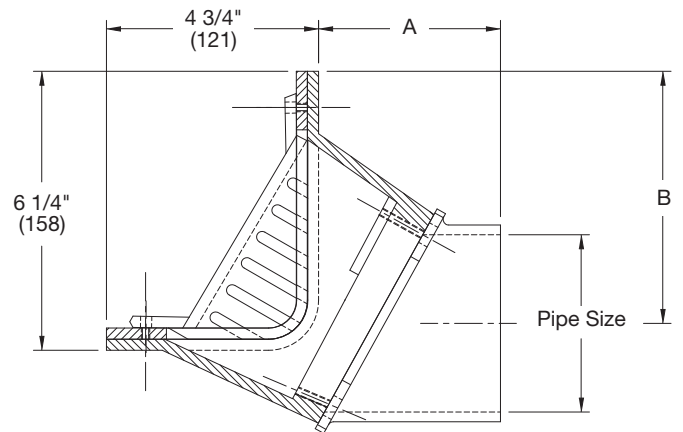
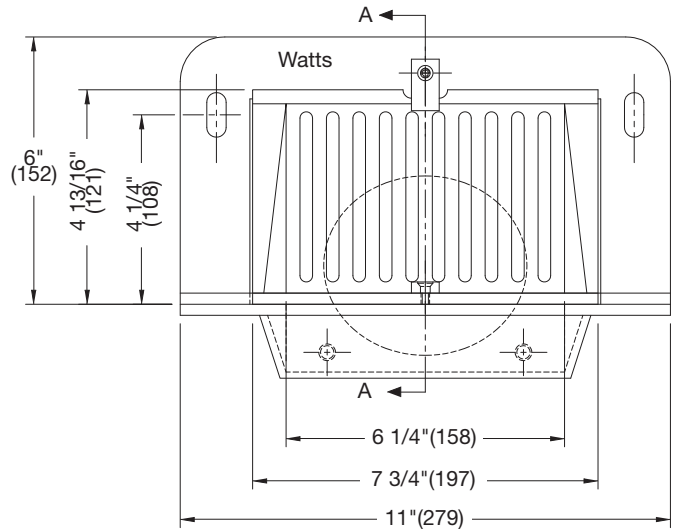
Free Area
Sq. In.
15

Pipe Size	No Hub		Threaded	
	A	B	A	B
2" (51)	5 1/8" (130)	6 1/2" (165)	2 3/4" (70)	6" (152)
3" (76)	4 1/2" (114)	5 3/4" (146)	2 3/4" (70)	5 3/8" (137)
4" (102)	4" (102)	5 1/8" (130)	2 3/4" (70)	4 7/8" (124)
6" (152)	3 1/2" (90)	4 13/16" (122)	N/A	N/A

NOTICE

The information contained herein is not intended to replace the full product installation and safety information available or the experience of a trained product installer. You are required to thoroughly read all installation instructions and product safety information before beginning the installation of this product.

Watts product specifications in U.S. customary units and metric are approximate and are provided for reference only. For precise measurements, please contact Watts Technical Service. Watts reserves the right to change or modify product design, construction, specifications, or materials without prior notice and without incurring any obligation to make such changes and modifications on Watts products previously or subsequently sold.



USA: T: (800) 338-2581 • F: (978) 975-8350 • Watts.com
Canada: T: (905) 332-4090 • F: (905) 332-7068 • Watts.ca
Latin America: T: (52) 81-1001-8600 • Watts.com