

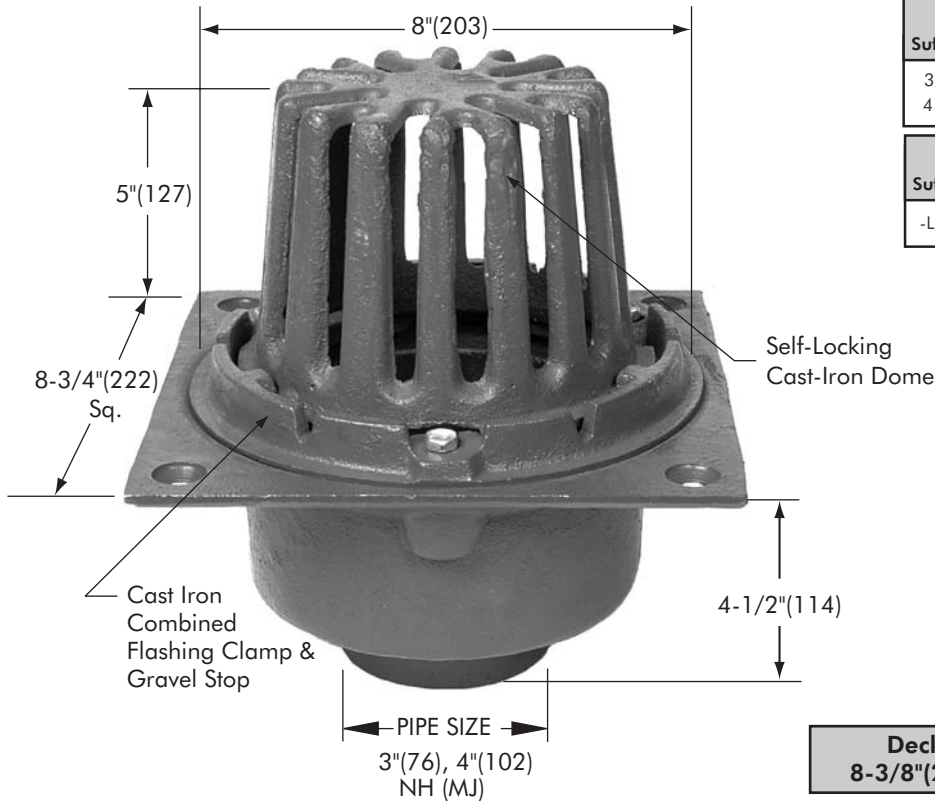
**SPECIFICATION:** Watts Drainage Products RD-280 roof drain with epoxy coated cast iron deck flange, drain body, flashing clamp with gravel guard, bottom outlet and self-locking cast iron dome.

Order Code: RD-280--

Ex. RD-283-L

| Pipe Sizing (Select One) |                   |                          |
|--------------------------|-------------------|--------------------------|
| Suffix                   | Description       |                          |
| 3                        | 3"(76) Pipe Size  | <input type="checkbox"/> |
| 4                        | 4"(102) Pipe Size | <input type="checkbox"/> |

| Option |                   |                          |
|--------|-------------------|--------------------------|
| Suffix | Description       |                          |
| -L     | Vandal Proof Dome | <input type="checkbox"/> |



**Deck Opening:  
8-3/8"(213) Diameter**

Job Name \_\_\_\_\_ Contractor \_\_\_\_\_

Job Location \_\_\_\_\_ Contractor's P.O. No. \_\_\_\_\_

Engineer \_\_\_\_\_ Representative \_\_\_\_\_

WATTS Drainage reserves the right to modify or change product design or construction without prior notice and without incurring any obligation to make similar changes and modifications to products previously or subsequently sold. See your WATTS Drainage representative for any clarification. Dimensions are subject to manufacturing tolerances.