

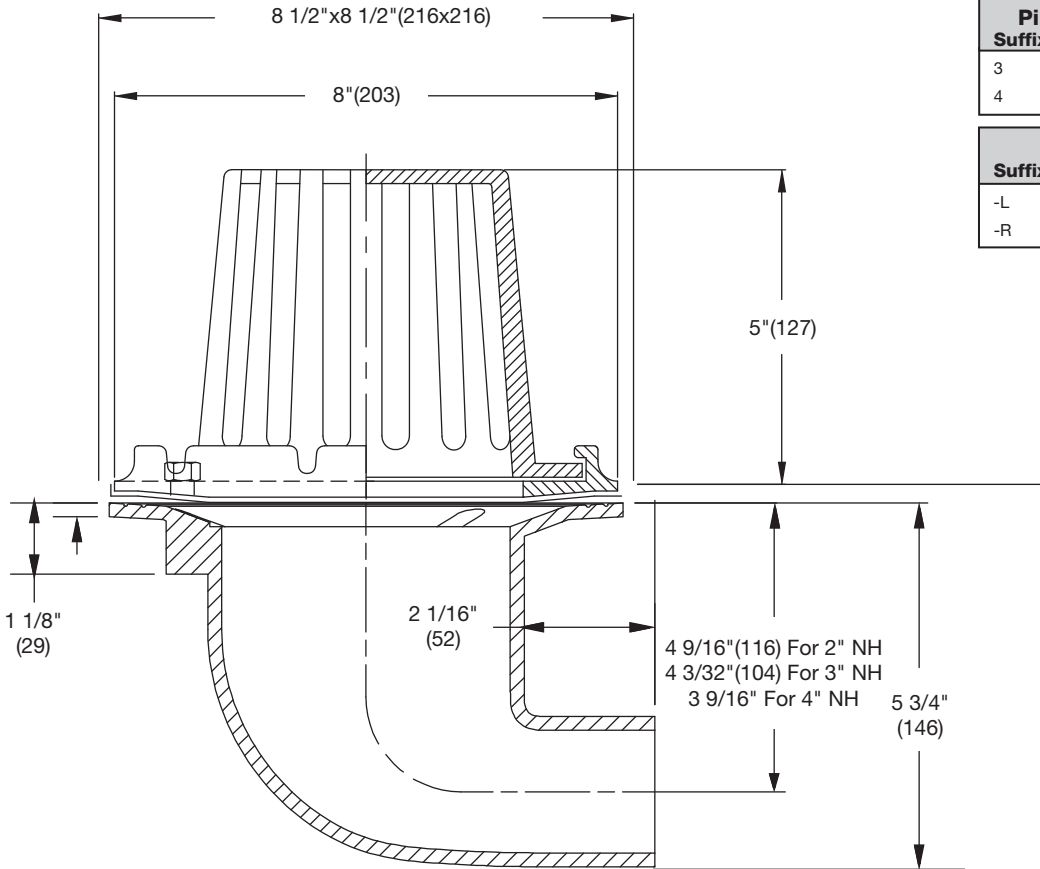


**RD-280-SO**

Tag: \_\_\_\_\_

**Flanged Cast Iron Roof Drain w/Side Outlet**

**SPECIFICATION:** Watts Drainage RD-280-SO cast iron roof drain with deck flange, drain body, flashing clamp with integral gravel guard, self-locking cast iron dome, and no hub side outlet.



Pipe Sizing (Select One)		
Suffix	Description	
3	3"(76) Pipe Size	<input type="checkbox"/>
4	4"(102) Pipe Size	<input type="checkbox"/>

Options		
Suffix	Description	
-L	Vandal Proof Dome	<input type="checkbox"/>
-R	2"(51) External Water Dam	<input type="checkbox"/>

<b>Free Area SQ. In.</b>
<b>35</b>

<b>Deck Opening 8-3/8"(213) Diameter</b>
--

Job Name \_\_\_\_\_  
 Job Location \_\_\_\_\_  
 Engineer \_\_\_\_\_

Contractor \_\_\_\_\_  
 Contractor's P.O. No. \_\_\_\_\_  
 Representative \_\_\_\_\_

Watts product specifications in U.S. customary units and metric are approximate and are provided for reference only. For precise measurements, please contact Watts Technical Service. Watts reserves the right to change or modify product design, construction, specifications, or materials without prior notice and without incurring any obligation to make such changes and modifications on Watts products previously or subsequently sold.

**USA:** Tel: (800) 338-2581 • Fax: (828) 248-3929 • Watts.com  
**Canada:** Tel: (905) 332-4090 • Fax: (905) 332-7068 • Watts.ca  
**Latin America:** Tel: (52) 81-1001-8600 • Fax: (52) 81-8000-7091 • Watts.com

