

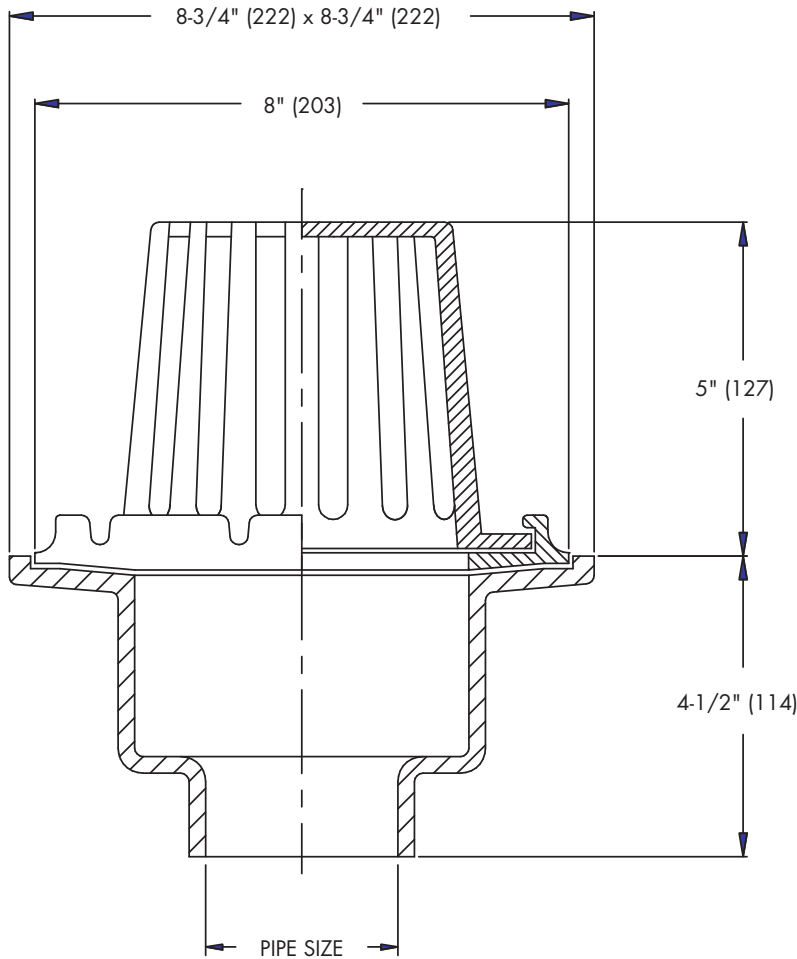


RD-280

Flanged Cast Iron
Roof Drain

Tag: _____

SPECIFICATION: Watts Drainage RD-280 cast iron roof drain with deck flange, drain body, flashing clamp with integral gravel guard, self-locking cast iron dome, and no hub outlet.



Pipe Sizing (Select One)		
Suffix	Description	
2	2" (51) Pipe Size	<input type="checkbox"/>
3	3" (76) Pipe Size	<input type="checkbox"/>
4	4" (102) Pipe Size	<input type="checkbox"/>

Options		
Suffix	Description	
-L	Vandal Proof Dome	<input type="checkbox"/>
-R	2" (51) External Water Dam	<input type="checkbox"/>

Free Area SQ. In.
35

Deck Opening 8-3/8" (213) Diameter

Job Name _____

Contractor _____

Job Location _____

Contractor's P.O. No. _____

Engineer _____

Representative _____

Watts product specifications in U.S. customary units and metric are approximate and are provided for reference only. For precise measurements, please contact Watts Technical Service. Watts reserves the right to change or modify product design, construction, specifications, or materials without prior notice and without incurring any obligation to make such changes and modifications on Watts products previously or subsequently sold.



USA: Tel: (800) 338-2581 • Fax: (828) 248-3929 • Watts.com
Canada: Tel: (905) 332-4090 • Fax: (905) 332-7068 • Watts.ca
Latin America: Tel: (52) 81-1001-8600 • Fax: (52) 81-8000-7091 • Watts.com