



# RD-290

Tag: \_\_\_\_\_

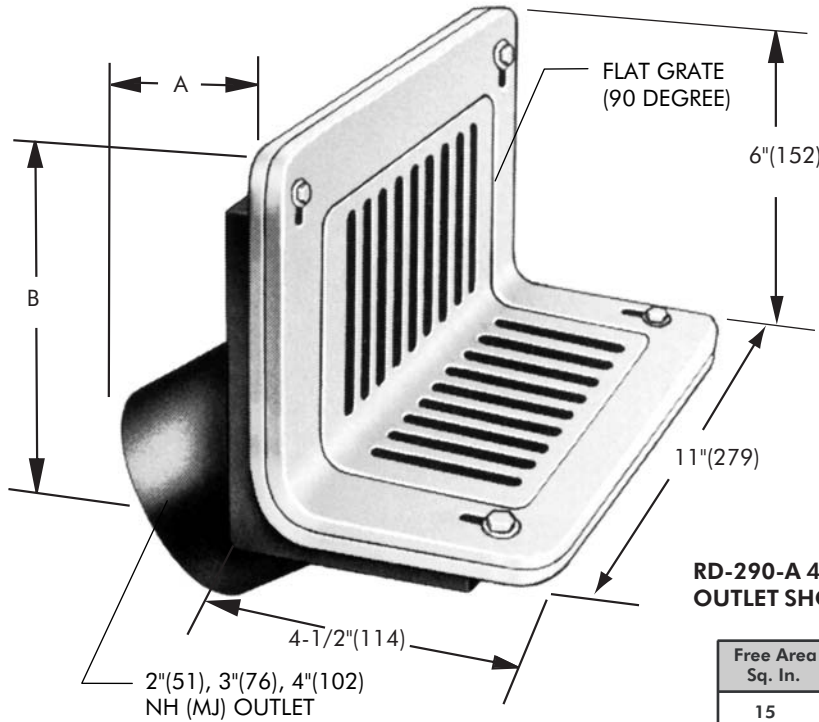
## Scupper Drain with Flat Grate

**SPECIFICATION:** Watts Drainage Products RD-290 baked epoxy cast iron scupper drain with 90 degree outlet, flashing clamp device and baked epoxy 90 degree grate.

**FUNCTION:** To provide drainage from roof surface horizontally through parapet. Provides vertical drainage by reversing outlet.

**Note:** Specify RD-290-A for 45 degree outlet.

Order Code: RD-290---



**Ex. RD-292-A**

Pipe Sizing (Select One)		
Suffix	Description	
2	2"(51) Pipe Size	<input type="checkbox"/>
3	3"(76) Pipe Size	<input type="checkbox"/>
4	4"(102) Pipe Size	<input type="checkbox"/>

Grate (Select One)		
Suffix	Description	
-1	Nickel Bronze Grate & Frame	<input type="checkbox"/>
-50	Cast Iron Grate & Frame	<input type="checkbox"/>

Options (Select One or More)		
Suffix	Description	
-A	45 Degree Outlet	<input type="checkbox"/>
-T	Threaded Outlet	<input type="checkbox"/>
-6	Vandal Proof Grate	<input type="checkbox"/>
-8	Backwater Valve	<input type="checkbox"/>
-13	All Galvanized	<input type="checkbox"/>

RD-290-A 45 DEGREE OUTLET SHOWN

Free Area Sq. In.
15

RD-290	NO HUB (MJ)		THREADED	
	A	B	A	B
2"(51)	5-1/8"(130)	6-1/2"(165)	2-3/4"(70)	6"(152)
3"(76)	4-1/2"(114)	5-3/4"(146)	2-3/4"(70)	5-3/8"(137)
4"(102)	4"(102)	5-1/8"(130)	2-3/4"(70)	4-7/8"(124)

Job Name \_\_\_\_\_ Contractor \_\_\_\_\_

Job Location \_\_\_\_\_ Contractor's P.O. No. \_\_\_\_\_

Engineer \_\_\_\_\_ Representative \_\_\_\_\_

WATTS Drainage reserves the right to modify or change product design or construction without prior notice and without incurring any obligation to make similar changes and modifications to products previously or subsequently sold. See your WATTS Drainage representative for any clarification. Dimensions are subject to manufacturing tolerances.



CANADA: 5435 North Service Road, Burlington, ON, L7L 5H7 TEL: 905-332-6718 TOLL-FREE: 1-888-208-8927 Website: www.wattsdrainage.ca  
 USA: 100 Watts Road, Spindale, NC, 28160 TEL: 828-288-2179 TOLL-FREE: 1-800-338-2581 Website: www.wattsdrainage.com

