

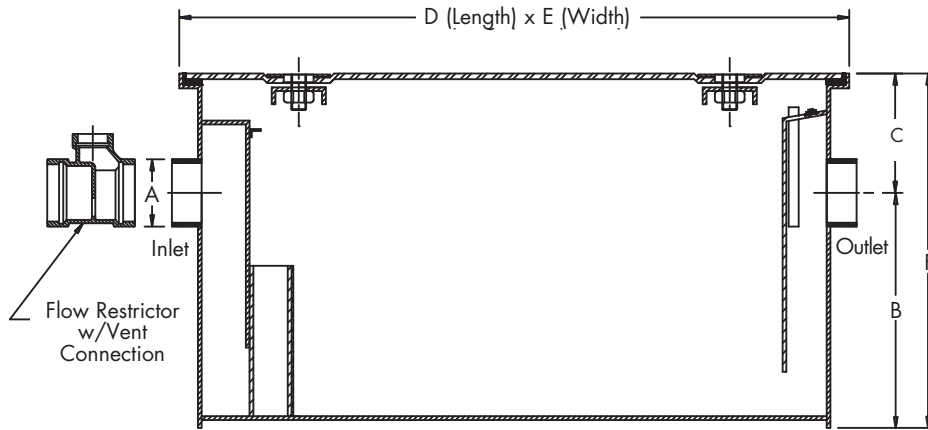


WD-L Series

Tag: _____

**PDI Certified
Low-Rough-In
Grease Interceptor**

SPECIFICATION: Watts Drainage WD-L Series PDI Certified recessed or floor mounted epoxy coated steel low-rough-in grease interceptor with gasketed epoxy coated steel skid-proof cover secured with hex head center bolt(s), removable baffle assembly, deep seal trap with cleanout, external cast iron flow control fitting, and no hub (standard) connections.



| Flow Rate (Select One) | | |
|------------------------|-------------|--------------------------|
| Suffix | Description | |
| 20 | 20 GPM | <input type="checkbox"/> |
| 35 | 35 GPM | <input type="checkbox"/> |
| 50 | 50 GPM | <input type="checkbox"/> |

| Options (Select One) | | |
|----------------------|---|--------------------------|
| Suffix | Description | |
| -B | Sediment Bucket | <input type="checkbox"/> |
| -E | Extension | <input type="checkbox"/> |
| -FC | Flange & Clamp Device | <input type="checkbox"/> |
| -O | Inlet & Outlet other than Standard Size | <input type="checkbox"/> |
| -SS | Stainless Steel | <input type="checkbox"/> |
| -THD | Threaded Connections | <input type="checkbox"/> |

| Interceptor Catalog Number | Flow Rate GPM | Grease Capacity Lbs. | A Inlet & Outlet | B Base To Center | C Top To Center | D Length | E Width | F Height |
|----------------------------|---------------|----------------------|------------------|------------------|-----------------|---------------|--------------|--------------|
| WD-20-L | 20 | 40 | 3"(76) | 7-1/2"(191) | 4-1/4"(108) | 34-7/8"(886) | 22-7/8"(581) | 11-3/4"(305) |
| WD-35-L | 35 | 70 | 4"(102) | 7"(178) | 4-1/2"(114) | 40-7/8"(1038) | 32-7/8"(835) | 11-7/8"(302) |
| *WD-50-L | 50 | 100 | 4"(102) | 8-1/2"(216) | 5-1/2"(140) | 55"(1397) | 33"(838) | 14"(356) |

*NOTE: Not PDI Certified

NOTICE

The information contained herein is not intended to replace the full product installation and safety information available or the experience of a trained product installer. You are required to thoroughly read all installation instructions and product safety information before beginning the installation of this product.

Job Name _____

Contractor _____

Job Location _____

Contractor's P.O. No. _____

Engineer _____

Representative _____

Watts product specifications in U.S. customary units and metric are approximate and are provided for reference only. For precise measurements, please contact Watts Technical Service. Watts reserves the right to change or modify product design, construction, specifications, or materials without prior notice and without incurring any obligation to make such changes and modifications on Watts products previously or subsequently sold.



USA: Tel: (800) 338-2581 • Fax: (828) 248-3929 • Watts.com
Canada: Tel: (905) 332-4090 • Fax: (905) 332-7068 • Watts.ca
Latin America: Tel: (52) 81-1001-8600 • Fax: (52) 81-8000-7091 • Watts.com