



WO-300

Tag: _____

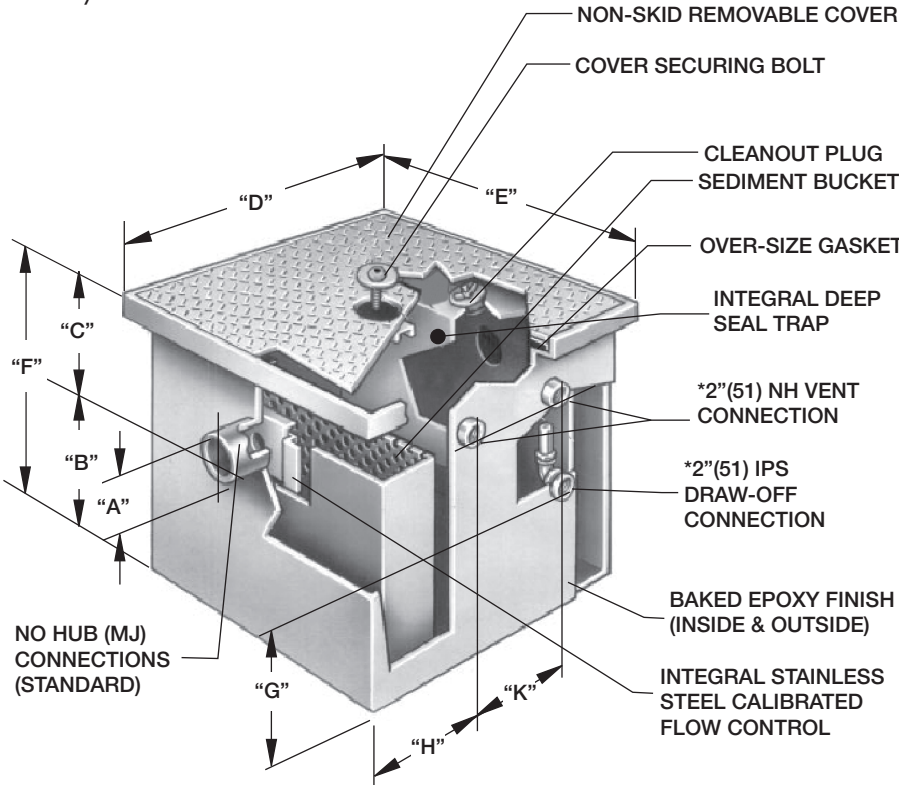
Oil Interceptor on Floor or Recessed Installation

SPECIFICATION: Watts Drainage Products WO-300 epoxy coated inside and outside fabricated steel oil interceptor with flow rating of 10 to 75 GPM. Unit shall include sediment bucket, code approved deep seal trap, cover securing bolt(s), adjustable draw-off assembly, vent connections, stainless steel calibrated orifice plate.

Function: To separate lighter than water liquid pollutants from industrial waste. Requires separate vented waste storage tank by others.

Order Code: WO---

Ex. WO-310-F-6



*VENT AND DRAW-OFF CONNECTIONS LEFT SIDE STANDARD FROM INLET

FLOW RATE (Select One)		
Suffix	Description	
310	10 GPM	<input type="checkbox"/>
315	15 GPM	<input type="checkbox"/>
320	20 GPM	<input type="checkbox"/>
325	25 GPM	<input type="checkbox"/>
335	35 GPM	<input type="checkbox"/>
350	50 GPM	<input type="checkbox"/>
375	75 GPM	<input type="checkbox"/>

Options (Select One or More)		
Suffix	Description	
-ALC	Aluminum Cover	<input type="checkbox"/>
-DI	Dual Inlet	<input type="checkbox"/>
-F	Flange	<input type="checkbox"/>
-FC	Flange w/ Mem. Clamp	<input type="checkbox"/>
-IP	Injection Port (specify location)	<input type="checkbox"/>
-HDC	Heavy Duty Cover 1,000 lbs.	<input type="checkbox"/>
-XHDC	Heavy Duty Cover 10,000 lbs.	<input type="checkbox"/>
-O	Inlet & Outlet other than standard	<input type="checkbox"/>
-SS	Stainless Steel	<input type="checkbox"/>
-THD	Threaded Connections	<input type="checkbox"/>
-TEFC	Threaded External Flow Control	<input type="checkbox"/>
-MEFC	NH External Flow Control	<input type="checkbox"/>
-X#"	Extension	<input type="checkbox"/>

Optional Inlet/Outlet Sizes (When -O is selected above)		
Suffix	Description	
-2	2"(51) Inlet/Outlet	<input type="checkbox"/>
-3	3"(76) Inlet/Outlet	<input type="checkbox"/>
-4	4"(102) Inlet/Outlet	<input type="checkbox"/>
-6	6"(152) Inlet/Outlet	<input type="checkbox"/>

Interceptor Catalog Number	Flow Rate GPM	A	B	C	D	E	F	G	H	K	DI
		Inlet & Outlet	Base to Center	Top to Center	Length	Width	Height	Base to Center			Between Inlet Centers
WO-310	10	2"(51)	8 1/2"(216)	6"(152)	21 3/4"(552)	14"(356)	14 1/2"(368)	3 1/2"(89)	6"(152)	7"(178)	5"(127)
WO-315	15	2"(51)	10 1/2"(267)	6"(152)	22"(559)	15"(381)	16 1/2"(419)	4"(102)	7"(178)	7"(178)	5"(127)
WO-320	20	3"(76)	11 1/2"(292)	6"(152)	24"(610)	15 3/4"(400)	17 1/2"(443)	5"(127)	7"(178)	7"(178)	5 1/2"(140)
WO-325	25	3"(76)	12"(305)	6"(152)	26"(660)	16 1/2"(419)	18"(457)	6"(152)	7"(178)	7"(178)	5 1/2"(140)
WO-335	35	4"(102)	14"(356)	6"(152)	30"(762)	18"(457)	20"(508)	8"(203)	10"(254)	7"(178)	6 1/2"(165)
WO-350	50	4"(102)	16"(406)	6"(152)	32"(813)	22"(559)	22"(559)	9"(229)	10"(254)	7"(178)	6 1/2"(165)
WO-375	75	4"(102)	18"(470)	6"(152)	36"(914)	24"(610)	24 1/2"(623)	12"(305)	10"(254)	7"(178)	6 1/2"(165)

Job Name _____
 Job Location _____
 Engineer _____

Contractor _____
 Contractor's P.O. No. _____
 Representative _____

Watts product specifications in U.S. customary units and metric are approximate and are provided for reference only. For precise measurements, please contact Watts Technical Service. Watts reserves the right to change or modify product design, construction, specifications, or materials without prior notice and without incurring any obligation to make such changes and modifications on Watts products previously or subsequently sold.

USA: Tel: (800) 338-2581 • Fax: (828) 248-3929 • Watts.com
Canada: Tel: (905) 332-4090 • Fax: (905) 332-7068 • Watts.ca
Latin America: Tel: (52) 81-1001-8600 • Fax: (52) 81-8000-7091 • Watts.com



A Watts Water Technologies Company

