



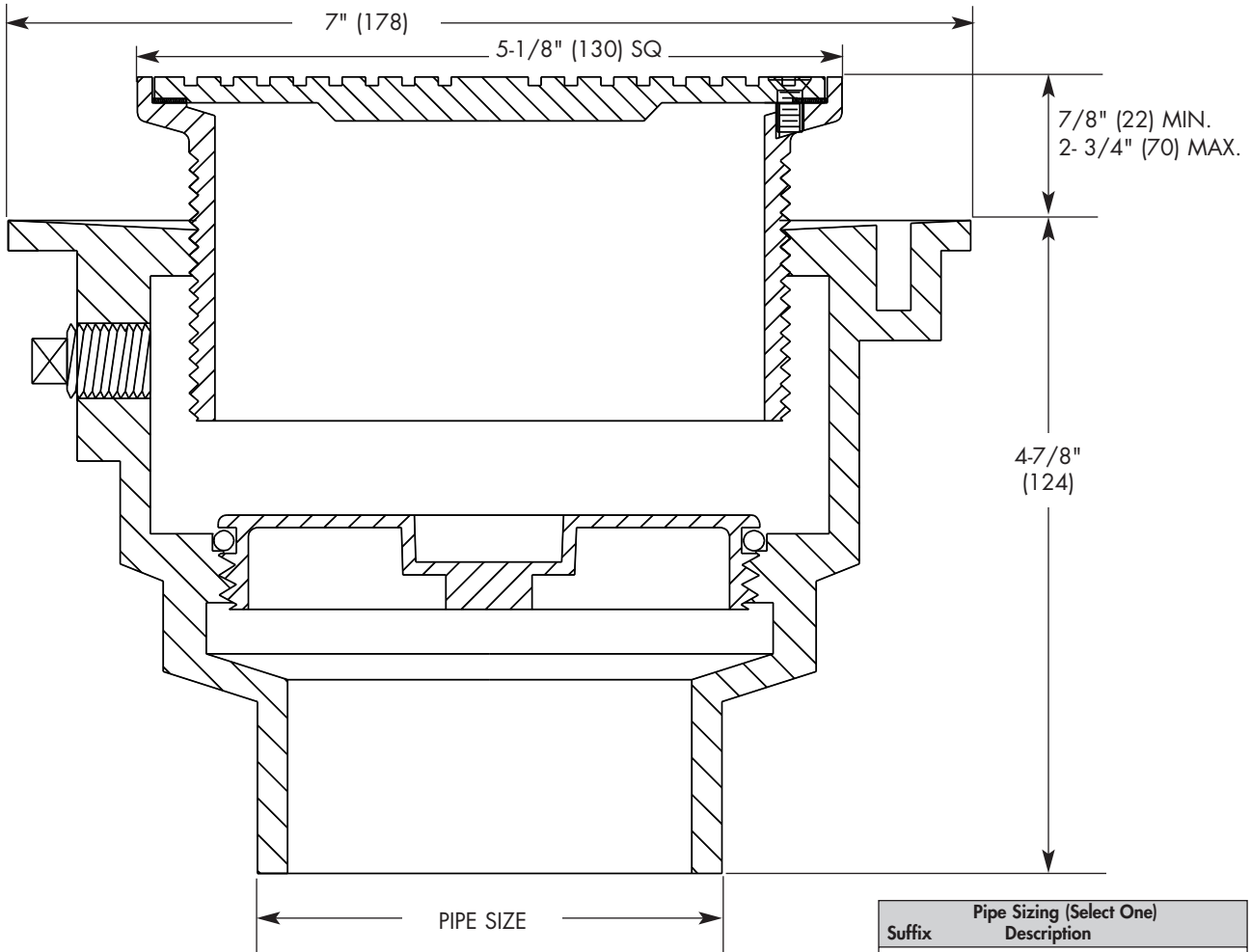
CO20-SQ

Tag: _____

Cast Iron Adjustable Floor Cleanout w/Square Top

PROLINE

SPECIFICATION: Watts ProLine CO20 cast iron adjustable floor cleanout with square nickel bronze, ductile iron, or stainless steel non-skid top, and removable gasketed brass cleanout plug.



Pipe Sizing (Select One)		
Suffix	Description	
-2NH	2" No Hub	<input type="checkbox"/>
-2PT	2" Push-On	<input type="checkbox"/>
-3NH	3" No Hub	<input type="checkbox"/>
-3PT	3" Push-On	<input type="checkbox"/>
-4NH	4" No Hub	<input type="checkbox"/>
-4PT	4" Push-On	<input type="checkbox"/>
Options (Select One or More)		
Suffix	Description	
-DI	Ductile Iron Top	<input type="checkbox"/>
-SS	Stainless Steel Top	<input type="checkbox"/>
-VP	Vandal Proof Screws	<input type="checkbox"/>

Job Name _____ Contractor _____
 Job Location _____ Contractor's P.O. No. _____
 Engineer _____ Representative _____

WATTS Drainage reserves the right to modify or change product design or construction without prior notice and without incurring any obligation to make similar changes and modifications to products previously or subsequently sold. See your WATTS Drainage representative for any clarification. Dimensions are subject to manufacturing tolerances.



USA: 100 Watts Road, Spindale, NC, 28160 TEL: 828-288-2179 TOLL-FREE: 1-800-338-2581 Website: www.wattsdrainage.com