

For Residential and Commercial Applications

Job Name _____

Contractor _____

Job Location _____

Approval _____

Engineer _____

Contractor's P.O. No. _____

Approval _____

Representative _____

SlabHeat™

Electric Indoor Heating Cable

SlabHeat Cable is a complete heating cable consisting of a series resistance heating cable and a single power lead for easy single-point connection. The heating cable length cannot be cut to fit.

Specifications

Supply Voltage	120VAC, 1-phase 240VAC, 1-phase
Maximum Heater Current	15 Amps
Maximum Circuit Load*	15 Amps
Wire Spacing	4" 6"
Power Lead	10' long, 14 ga.
Outer Jacket	Polyurethane
Ground Plane	Full Coverage Braided Copper
Insulation	ETFE
Heating Elements	Dual, Copper

*GFCI (Ground Fault Circuit Interrupter) is required for each circuit.

Heating Density

	120VAC	240VAC
4" Wire Spacing	15 W/sf 51 BTU/h/sf	
6" Wire Spacing	10 W/sf 34 BTU/h/sf	

Application

SlabHeat cables are only designed for use in an interior space embedded in concrete.

Application Parameters

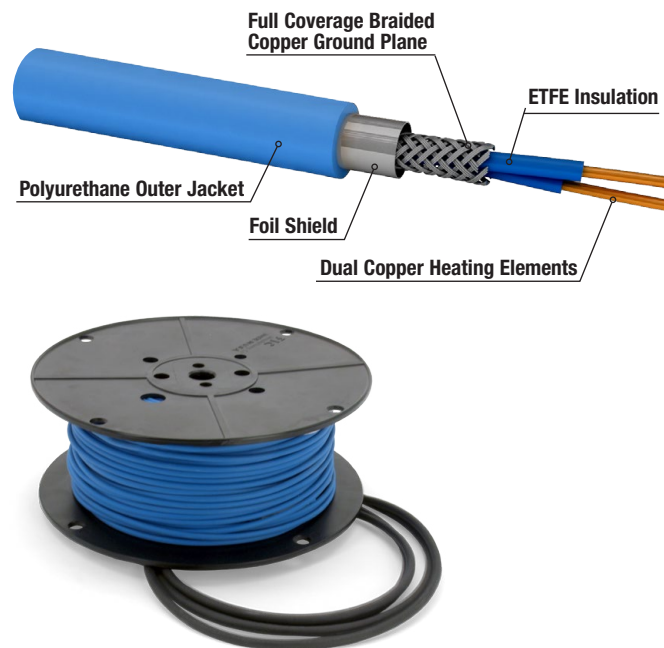
Min. Bend Radius	1 inch
Max. Exposure Temperature (continuous and storage)	194°F (90°C)
Min. Installation Temperature	50°F (10°C)

⚠ WARNING

Never cut the heating cable or damage it in any way. Use only the attachment methods as described in the Installation Manuals for SunTouch SlabHeat as other methods may damage the heating element.

⚠ CAUTION

This Engineering Sheet is not intended to provide full installation instructions and safety information. In order to avoid property damage or injury, please refer to the complete installation manual and product safety information provided with the product.



SlabHeat Cables are available in various lengths with voltage options of 120 VAC and 240 VAC.

Installation Guidelines

Determine a time to install the cable when equipment, heavy tools, and site traffic will be minimal. Apply the surfacing courses over the cable the same day the cable is installed.

If installing cable in the upper layer of a two-stage concrete slab, the cable should be completely ready for the second stage. There is limited time between stages, as the slab should not be allowed to fully cure. Therefore, lay out the cable and tie it to rewire that can be quickly lifted into place after the first stage is laid.

Inspect the area and remove any sharp objects.

Install in temperatures at least 50°F (10°C).

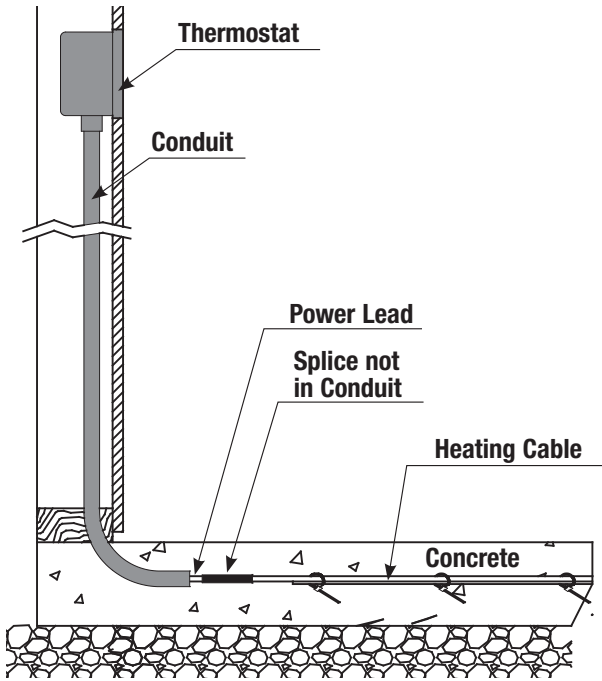
For a new concrete slab, when a run of cable exceeds 20 feet, an additional downward U-shaped loop with a 1 to 2 inch radius, should be added to help minimize possible damage to the cable from thermal expansion.



UL Listed for U.S. under UL Standard 1673 and Canada under CAN/CSA C22.2 No. 130.03. Listing file number E185866.

SunTouch product specifications in U.S. customary units and metric are approximate and are provided for reference only. For precise measurements, please contact SunTouch Technical Service. SunTouch reserves the right to change or modify product design, construction, specifications, or materials without prior notice and without incurring any obligation to make such changes and modifications on SunTouch products previously or subsequently sold.





SlabHeat electrical leads transition from the slab to the control or electrical junction box via conduit.

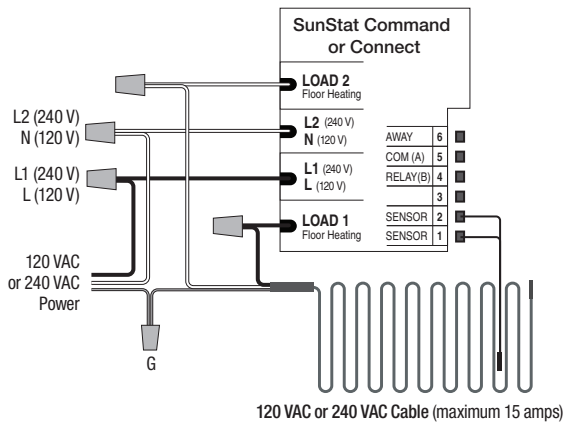
120 VAC SlabHeat

Model	4" o.c. 15 W/ft ²	6" o.c. 10 W/ft ²	Cable Length (Feet)	Amp Draw	Ohms
SH15120050	50	75	146	6.3	16-21
SH15120066	66	98	193	8.3	11-15
SH15120082	82	122	241	10.3	9-12
SH15120100	100	149	294	12.5	7-10
SH15120114	114	170	336	14.3	6-9

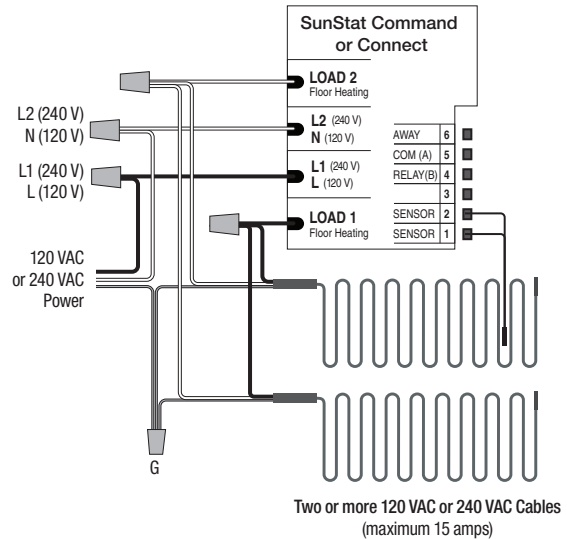
240 VAC SlabHeat

Model	4" o.c. 15 W/ft ²	6" o.c. 10 W/ft ²	Cable Length (Feet)	Amp Draw	Ohms
SH15240100	100	149	294	6.3	33-41
SH15240132	132	196	388	8.3	23-30
SH15240164	164	243	483	10.3	18-23
SH15140200	200	297	590	12.5	15-20
SH15240228	228	339	673	14.3	13-17

Electrical Wiring Diagram for Single Cable with SunStat Control (120/240 VAC) Dedicated 120 or 240 VAC, 20-amp (maximum) circuit (maximum 15 amp load through SunStat control).



Electrical Wiring Diagram for Multiple Cables with SunStat Control (120/240 VAC) Dedicated 120 or 240 VAC, 20-amp (maximum) circuit (maximum 15 amp load through SunStat control).



A Watts Water Technologies Company

USA: Tel: (888) 432-8932 • Fax: (417) 831-4067
Canada: Tel: (888) 280-8927 • Fax: (905) 332-7068
Latin America: Tel: (52) 81-1001-8600 • Fax: (52) 81-8000-7091