

For Residential or Commercial Radiant Heating and Snow Melt Applications

Foam Board Screw Clips for Radiant Installations

For use with 1/2" (12.7 mm) Heating PEX and 1/2" (12.7 mm) Heating PEX-AL-PEX tubing.

Product Description

Foam Board Screw Clips are used to secure 1/2" (12.7 mm) Heating PEX and 1/2" (12.7 mm) Heating PEX-AL-PEX tubing before pouring a concrete slab. They twist into the 2" (50.8 mm) foam board insulation under the concrete by hand or using the Foam Board Screw Clip Tool. Once the Foam Board Screw Clips are installed the tubing simply snaps into the Screw Clip.

Applications: Slab-On-Grade or Slab-over-Slab

Extruded polystyrene is placed prior to the concrete pour. As tubing is installed, Foam Board Screw Clips are applied every 30" (762.0 mm) and on either side of a bend to secure the tubing to the foam insulating board. Failure to secure the tubing according to specifications may result in movement of the tubing.

Installation Parameters

1. Using a chalk line or equivalent tool, apply tubing guide lines at the appropriate distance, typically, 12" (304.8 mm) on center.
2. Place the bit end of the extension arm into a 3/8" (9.5 mm) or 1/2" (12.7 mm) drill chuck.
3. Place the drill on the slowest setting, or use a variable speed drill. If applicable, set the slip torque setting to one. If a slip torque is not available, make sure the clips are not over tightened, as damage to the insulation board may occur.
4. Slide the Screw Clip into the receiving end of the extension arm. Press the end of the clip firmly into the insulation board and apply power to the drill. Stop when the clip is firmly in place.
5. Lift the tool off the Screw Clip and check that it is secure. Some adjustment may be needed to align the clip with the tubing.
6. Continue installing screw clips spaced every 30" (762.0 mm).
7. Snap tubing into screw clips.

Note: On light density boards, make sure the Screw Clips have a good grip before allowing concrete to be poured.

Note: For additional information see the Heating PEX and Heating PEX-AL-PEX installation manual.

Note: Screw Clip Tool sold separately.



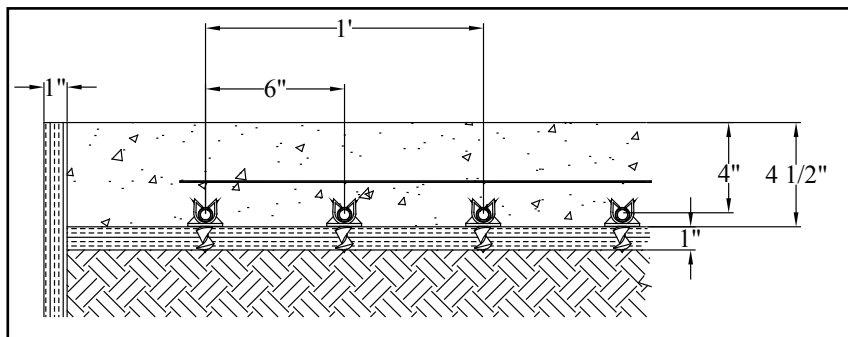
Foam Board Screw Clip Tool



Foam Board Screw Clip



Foam Board Screw Clip with Heating PEX installed.



Cross Section of Slab-on-Grade installation with Foam Board Screw Clips

CALIFORNIA PROPOSITION 65 WARNING

Warning: This product contains chemicals known to the State of California to cause cancer and birth defects or other reproductive harm. (California law requires this warning to be given to customers in the State of California).
For more information: www.watts.com/prop65.

Limited Warranty: Watts Regulator Co. (the "Company") warrants each product to be free from defects in material and workmanship under normal usage for a period of one year from the date of original shipment. In the event of such defects within the warranty period, the Company will, at its option, replace or recondition the product without charge.

THE WARRANTY SET FORTH HEREIN IS GIVEN EXPRESSLY AND IS THE ONLY WARRANTY GIVEN BY THE COMPANY WITH RESPECT TO THE PRODUCT. THE COMPANY MAKES NO OTHER WARRANTIES, EXPRESS OR IMPLIED. THE COMPANY HEREBY SPECIFICALLY DISCLAIMS ALL OTHER WARRANTIES, EXPRESS OR IMPLIED, INCLUDING BUT NOT LIMITED TO THE IMPLIED WARRANTIES OF MERCHANTABILITY AND FITNESS FOR A PARTICULAR PURPOSE.

The remedy described in the first paragraph of this warranty shall constitute the sole and exclusive remedy for breach of warranty, and the Company shall not be responsible for any incidental, special or consequential damages, including without limitation, lost profits or the cost of repairing or replacing other property which is damaged if this product does not work properly, other costs resulting from labor charges, delays, vandalism, negligence, fouling caused by foreign material, damage from adverse water conditions, chemical, or any other circumstances over which the Company has no control. This warranty shall be invalidated by any abuse, misuse, misapplication, improper installation or improper maintenance or alteration of the product.

Some States do not allow limitations on how long an implied warranty lasts, and some States do not allow the exclusion or limitation of incidental or consequential damages. Therefore the above limitations may not apply to you. This Limited Warranty gives you specific legal rights, and you may have other rights that vary from State to State. You should consult applicable state laws to determine your rights. **SO FAR AS IS CONSISTENT WITH APPLICABLE STATE LAW, ANY IMPLIED WARRANTIES THAT MAY NOT BE DISCLAIMED, INCLUDING THE IMPLIED WARRANTIES OF MERCHANTABILITY AND FITNESS FOR A PARTICULAR PURPOSE, ARE LIMITED IN DURATION TO ONE YEAR FROM THE DATE OF ORIGINAL SHIPMENT.**

WATTS®

A Watts Water Technologies Company

IS-Foam-Board-Screw-Clips 1146

USA: No. Andover, MA • Tel. (855) 699-2887 • Fax: (978) 794-1848 • radiant.watts.com

Canada: Burlington, ONT. • Tel. (905) 332-4090 • Fax: (905) 332-7068 • radiant.watts.com

EDP# 81015417

© 2011 Watts