

For Residential or Commercial Radiant Heating and Snow Melt Applications

Terminal Bend Supports

For use with Heating PEX tubing

Product Description

Watts Bend Supports are made from durable, Schedule 40 PVC and provide a rigid 90-degree bend and sleeve for Heating PEX tubing runs entering or exiting a concrete slab.

Installation Parameters

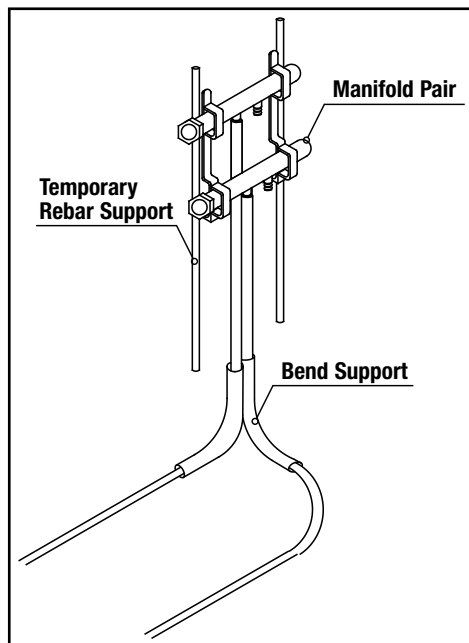
Heating PEX-AL-PEX tubing does not require bend supports as the pipe itself will maintain whatever bend is created. Bends can be made with a traditional pipe bender or by a spring bender if the bend is near the end of the tubing.

When using Heating PEX tubing, Bend Supports may be required if it is necessary to maintain a certain bend radius, or if connecting to a fitting immediately after a bend.

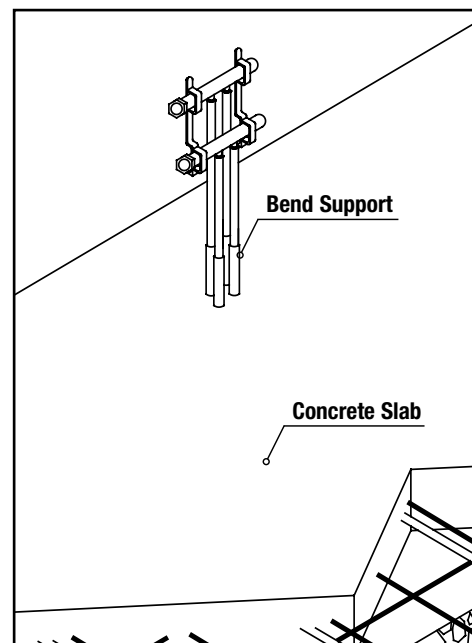
1. Slide one bend support over the end of a circuit of installed Heating PEX.
2. Slide the bend support down until in the desired position. The bend support should create a smooth, 90° transition for the tubing from the slab up to the manifold location.
3. Secure the bend support to rebar or wire mesh with cable ties or wire.
4. Repeat with each circuit of tubing.



Bend Supports are available for 1/2" (12.7 mm) and 3/4" (19.1 mm) tubing sizes.



Bend Support installation - Prior to slab pour.



Installed Bend Supports.

CALIFORNIA PROPOSITION 65 WARNING

Warning: This product contains chemicals known to the State of California to cause cancer and birth defects or other reproductive harm. (California law requires this warning to be given to customers in the State of California).
For more information: www.watts.com/prop65.

Limited Warranty: Watts Regulator Co. (the "Company") warrants each product to be free from defects in material and workmanship under normal usage for a period of one year from the date of original shipment. In the event of such defects within the warranty period, the Company will, at its option, replace or recondition the product without charge.

THE WARRANTY SET FORTH HEREIN IS GIVEN EXPRESSLY AND IS THE ONLY WARRANTY GIVEN BY THE COMPANY WITH RESPECT TO THE PRODUCT. THE COMPANY MAKES NO OTHER WARRANTIES, EXPRESS OR IMPLIED. THE COMPANY HEREBY SPECIFICALLY DISCLAIMS ALL OTHER WARRANTIES, EXPRESS OR IMPLIED, INCLUDING BUT NOT LIMITED TO THE IMPLIED WARRANTIES OF MERCHANTABILITY AND FITNESS FOR A PARTICULAR PURPOSE.

The remedy described in the first paragraph of this warranty shall constitute the sole and exclusive remedy for breach of warranty, and the Company shall not be responsible for any incidental, special or consequential damages, including without limitation, lost profits or the cost of repairing or replacing other property which is damaged if this product does not work properly, other costs resulting from labor charges, delays, vandalism, negligence, fouling caused by foreign material, damage from adverse water conditions, chemical, or any other circumstances over which the Company has no control. This warranty shall be invalidated by any abuse, misuse, misapplication, improper installation or improper maintenance or alteration of the product.

Some States do not allow limitations on how long an implied warranty lasts, and some States do not allow the exclusion or limitation of incidental or consequential damages. Therefore the above limitations may not apply to you. This Limited Warranty gives you specific legal rights, and you may have other rights that vary from State to State. You should consult applicable state laws to determine your rights. **SO FAR AS IS CONSISTENT WITH APPLICABLE STATE LAW, ANY IMPLIED WARRANTIES THAT MAY NOT BE DISCLAIMED, INCLUDING THE IMPLIED WARRANTIES OF MERCHANTABILITY AND FITNESS FOR A PARTICULAR PURPOSE, ARE LIMITED IN DURATION TO ONE YEAR FROM THE DATE OF ORIGINAL SHIPMENT.**

WATTS®

A Watts Water Technologies Company

IS-Terminal-Bend-Supports 1146

USA: No. Andover, MA • Tel. (855) 699-2887 • Fax: (978) 794-1848 • radiant.watts.com
Canada: Burlington, ONT. • Tel. (905) 332-4090 • Fax: (905) 332-7068 • radiant.watts.com
EDP# 81015428

© 2011 Watts