

For Residential or Commercial Radiant Heating and Snow Melt Applications

Under Floor Clips for Radiant Installations

For use with 1/2" (12.7 mm) Heating PEX tubing

Product Description

Under Floor Clips are fasteners for suspended tube applications where low heat loads are required, or basic floor warming applications are desired. In those cases, suspending tubing in the joist bay is acceptable.

Under Floor Clips allow 1/2" (12.7 mm) Heating PEX tubing to be suspended below the subfloor, preventing damage to the tubing as it expands and contracts.

Under Floor Clips securely hold the tubing about 1" (25.4 mm) from the mounting surface and require a screw for mounting (not included).

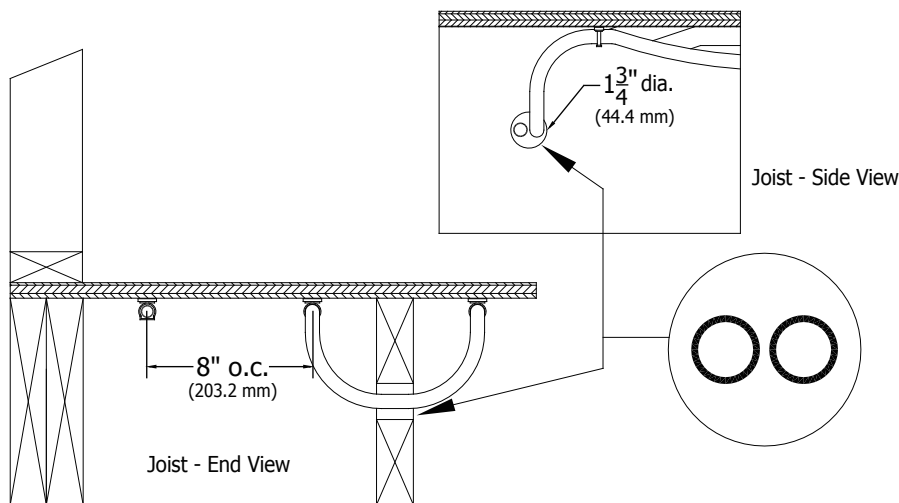
Installation Parameters

1. Using a chalk line or equivalent tool, mark the underside of the subfloor for each row of Under Floor Clips in a joist bay.
2. Install Under Floor Clips to the subfloor every 12" (304.8 mm) to 18" (457.2 mm) o.c. along the chalk line with a 3/4" (19.1 mm) long wood screw.
3. Drill 1-3/4" (44.4 mm) holes in the floor joist as shown for Heating PEX tubing installation. Check with local building codes for hole size or location restrictions or additional recommendations.
4. Pull the tubing down the joist cavity. Make sure the tubing does not twist as it is pulled from joist bay to joist bay.
5. Place each tubing run into the corresponding Under Floor clip.
6. Complete the attachment by closing the connector until it "clicks" into place.
7. Before installing insulation, carefully inspect the tubing to make sure each Under Floor Clip is securely fastened.

Note: For additional information see the Heating PEX and Heating PEX-AL-PEX installation manual.



Under Floor Clip



Under Floor Clip installation.

CALIFORNIA PROPOSITION 65 WARNING

Warning: This product contains chemicals known to the State of California to cause cancer and birth defects or other reproductive harm. (California law requires this warning to be given to customers in the State of California).
For more information: www.watts.com/prop65.

Limited Warranty: Watts Regulator Co. (the "Company") warrants each product to be free from defects in material and workmanship under normal usage for a period of one year from the date of original shipment. In the event of such defects within the warranty period, the Company will, at its option, replace or recondition the product without charge.

THE WARRANTY SET FORTH HEREIN IS GIVEN EXPRESSLY AND IS THE ONLY WARRANTY GIVEN BY THE COMPANY WITH RESPECT TO THE PRODUCT. THE COMPANY MAKES NO OTHER WARRANTIES, EXPRESS OR IMPLIED. THE COMPANY HEREBY SPECIFICALLY DISCLAIMS ALL OTHER WARRANTIES, EXPRESS OR IMPLIED, INCLUDING BUT NOT LIMITED TO THE IMPLIED WARRANTIES OF MERCHANTABILITY AND FITNESS FOR A PARTICULAR PURPOSE.

The remedy described in the first paragraph of this warranty shall constitute the sole and exclusive remedy for breach of warranty, and the Company shall not be responsible for any incidental, special or consequential damages, including without limitation, lost profits or the cost of repairing or replacing other property which is damaged if this product does not work properly, other costs resulting from labor charges, delays, vandalism, negligence, fouling caused by foreign material, damage from adverse water conditions, chemical, or any other circumstances over which the Company has no control. This warranty shall be invalidated by any abuse, misuse, misapplication, improper installation or improper maintenance or alteration of the product.

Some States do not allow limitations on how long an implied warranty lasts, and some States do not allow the exclusion or limitation of incidental or consequential damages. Therefore the above limitations may not apply to you. This Limited Warranty gives you specific legal rights, and you may have other rights that vary from State to State. You should consult applicable state laws to determine your rights. **SO FAR AS IS CONSISTENT WITH APPLICABLE STATE LAW, ANY IMPLIED WARRANTIES THAT MAY NOT BE DISCLAIMED, INCLUDING THE IMPLIED WARRANTIES OF MERCHANTABILITY AND FITNESS FOR A PARTICULAR PURPOSE, ARE LIMITED IN DURATION TO ONE YEAR FROM THE DATE OF ORIGINAL SHIPMENT.**

WATTS®

A Watts Water Technologies Company

IS-Under-Floor-Clips 1146

USA: No. Andover, MA • Tel. (855) 699-2887 • Fax: (978) 794-1848 • radiant.watts.com
Canada: Burlington, ONT. • Tel. (905) 332-4090 • Fax: (905) 332-7068 • radiant.watts.com
EDP# 81015430 © 2011 Watts