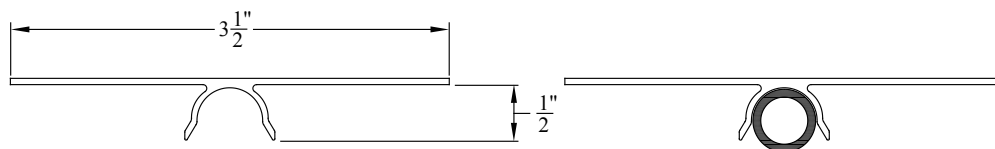


## For Residential or Commercial Radiant Heating and Snow Melt Applications

### Under Floor Plates for Radiant Heating Installations

Used with 1/2" (12.7 mm) Heating PEX and 1/2" (12.7 mm) Heating PEX-AL-PEX tubing

Watts Under Floor Plate is a "snap grip", heavy duty, extruded aluminum plate designed for use with 1/2" (12.7 mm) Heating PEX and 1/2" (12.7 mm) Heating PEX-AL-PEX tubing.



Secure the plate to the subfloor with the use of #8-3/4" (19.1 mm) self-tapping screws.

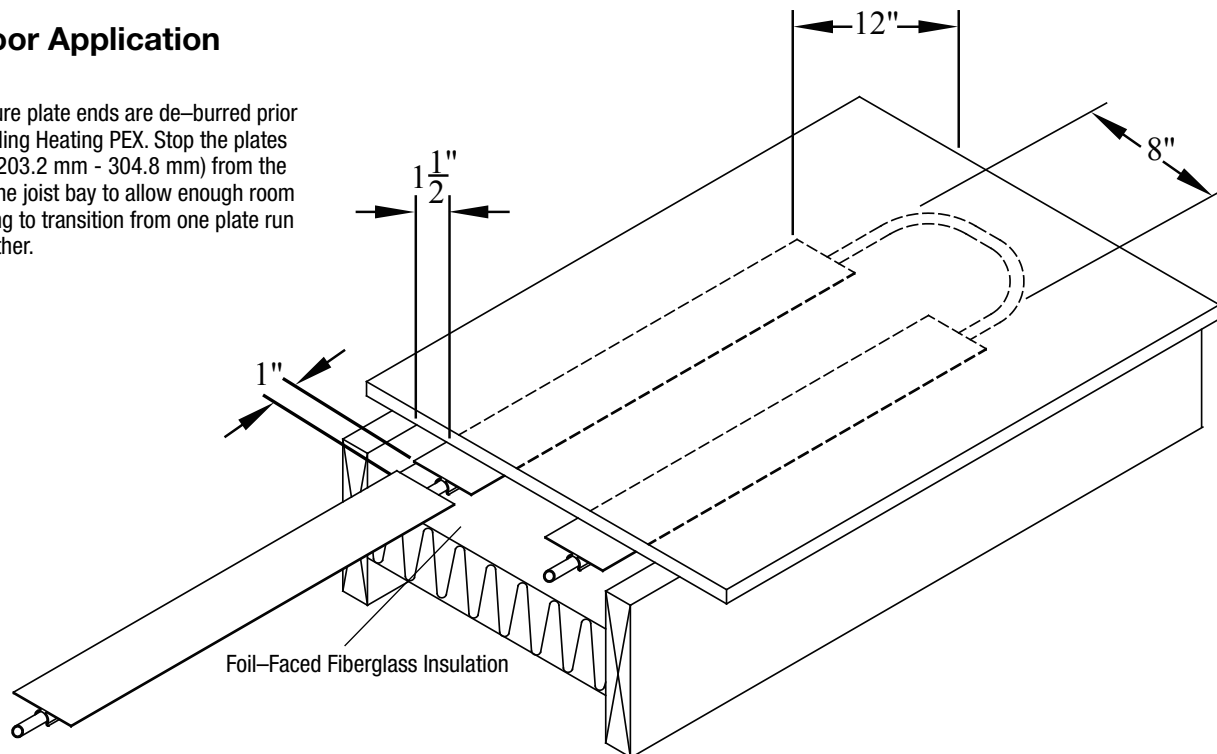
#### Installation

1. Measure the joist bay and determine the number and length of each Under Floor Plate required. Estimate the lineal feet of Under Floor Plates required as 1.4 feet (426 mm) of plate per square foot (0.092 sq. m) of heated floor. If a plate needs to be cut, use a carbide tipped aluminum cutting blade and de-burr the tube channel.
2. Attach the Under Floor Plate to the subfloor with the use of #8-3/4" (19.1 mm) self-tapping screws placed 12-18" (304.8 mm - 457.2 mm) apart along the plate. A coil roofing nail gun (3/4" (19.1 mm) nails) or a pneumatic staple gun (1" x 3/4" (25.4 mm) x 19.1 mm) 16 gauge staples) may also be used. Under Floor Plate should be spaced 8" (203.2 mm) OC. Wider spacing is not recommended.
3. Allow a minimum of 1" (25.4 mm) space between the ends of the plates. Stop the plates 8-12" (203.2 mm - 304.8 mm) from the end of the joist bay to allow tubing to transition to the next run of plates.

Heating PEX and Heating PEX-AL-PEX must be installed in accordance with all installation procedures, including information provided in Watts Heating PEX and Heating PEX-AL-PEX Installation manual.

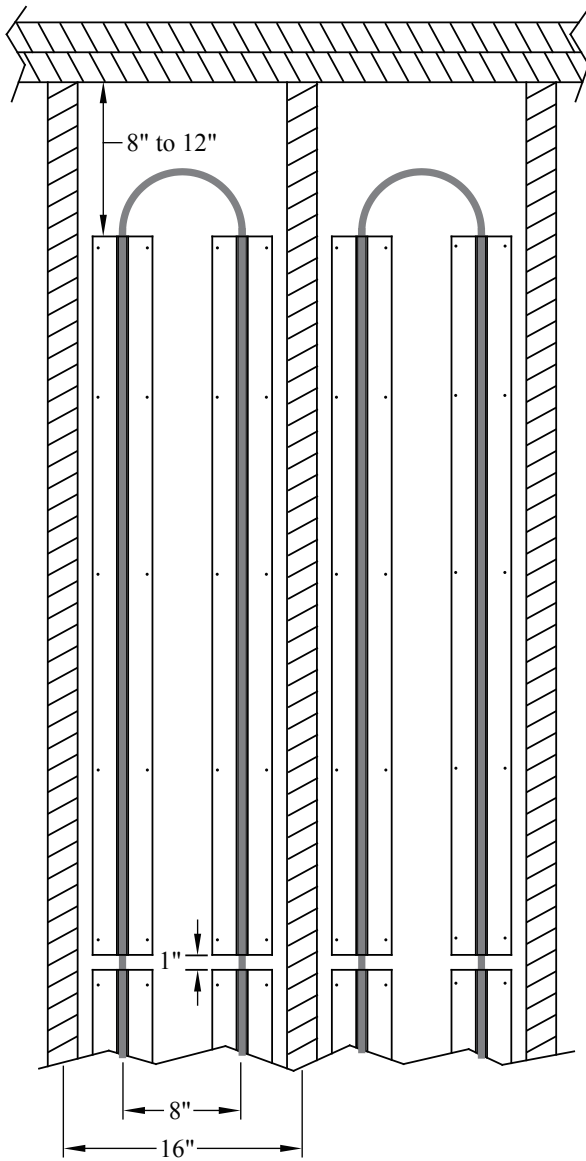
#### Under Floor Application

Make sure plate ends are de-burred prior to installing Heating PEX. Stop the plates 8-12" (203.2 mm - 304.8 mm) from the end of the joist bay to allow enough room for tubing to transition from one plate run to the other.

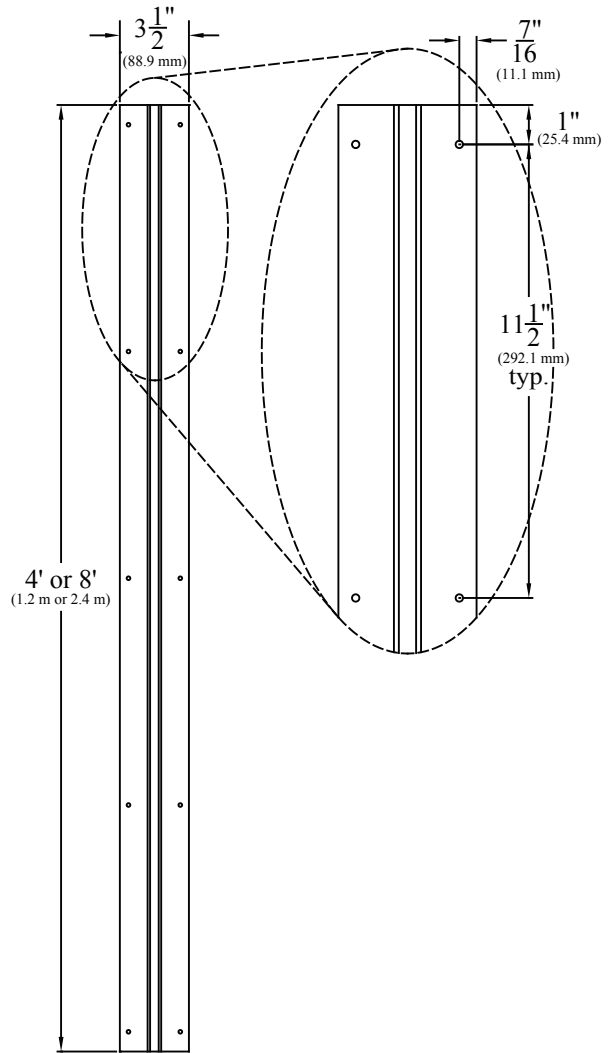


A Watts Water Technologies Company

USA: No. Andover, MA • Tel. (855) 699-2887 • Fax: (978) 794-1848 • radiant.watts.com  
Canada: Burlington, ONT. • Tel. (905) 332-4090 • Fax: (905) 332-7068 • radiant.watts.com



**Joist Detail**



**Under Floor Plate Detail**

**CALIFORNIA PROPOSITION 65 WARNING**  
 Warning: This product contains chemicals known to the State of California to cause cancer and birth defects or other reproductive harm. (California law requires this warning to be given to customers in the State of California).  
 For more information: [www.watts.com/prop65](http://www.watts.com/prop65).

**Limited Warranty:** Watts Regulator Co. (the "Company") warrants each product to be free from defects in material and workmanship under normal usage for a period of one year from the date of original shipment. In the event of such defects within the warranty period, the Company will, at its option, replace or recondition the product without charge.

**THE WARRANTY SET FORTH HEREIN IS GIVEN EXPRESSLY AND IS THE ONLY WARRANTY GIVEN BY THE COMPANY WITH RESPECT TO THE PRODUCT. THE COMPANY MAKES NO OTHER WARRANTIES, EXPRESS OR IMPLIED. THE COMPANY HEREBY SPECIFICALLY DISCLAIMS ALL OTHER WARRANTIES, EXPRESS OR IMPLIED, INCLUDING BUT NOT LIMITED TO THE IMPLIED WARRANTIES OF MERCHANTABILITY AND FITNESS FOR A PARTICULAR PURPOSE.**

The remedy described in the first paragraph of this warranty shall constitute the sole and exclusive remedy for breach of warranty, and the Company shall not be responsible for any incidental, special or consequential damages, including without limitation, lost profits or the cost of repairing or replacing other property which is damaged if this product does not work properly, other costs resulting from labor charges, delays, vandalism, negligence, fouling caused by foreign material, damage from adverse water conditions, chemical, or any other circumstances over which the Company has no control. This warranty shall be invalidated by any abuse, misuse, misapplication, improper installation or improper maintenance or alteration of the product.

Some States do not allow limitations on how long an implied warranty lasts, and some States do not allow the exclusion or limitation of incidental or consequential damages. Therefore the above limitations may not apply to you. This Limited Warranty gives you specific legal rights, and you may have other rights that vary from State to State. You should consult applicable state laws to determine your rights. **SO FAR AS IS CONSISTENT WITH APPLICABLE STATE LAW, ANY IMPLIED WARRANTIES THAT MAY NOT BE DISCLAIMED, INCLUDING THE IMPLIED WARRANTIES OF MERCHANTABILITY AND FITNESS FOR A PARTICULAR PURPOSE, ARE LIMITED IN DURATION TO ONE YEAR FROM THE DATE OF ORIGINAL SHIPMENT.**



A Watts Water Technologies Company

IS-Under-Floor-Plates 1146

USA: No. Andover, MA • Tel. (855) 699-2887 • Fax: (978) 794-1848 • [radiant.watts.com](http://radiant.watts.com)  
 Canada: Burlington, ONT. • Tel. (905) 332-4090 • Fax: (905) 332-7068 • [radiant.watts.com](http://radiant.watts.com)  
 EDP#81014898

© 2011 Watts