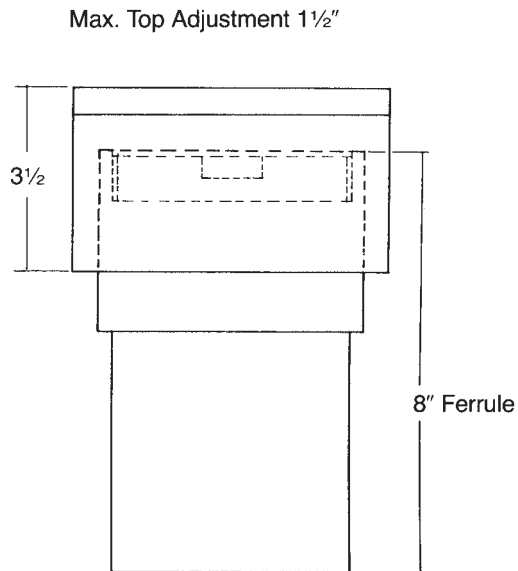


# Acid Waste Floor Cleanout Submittal

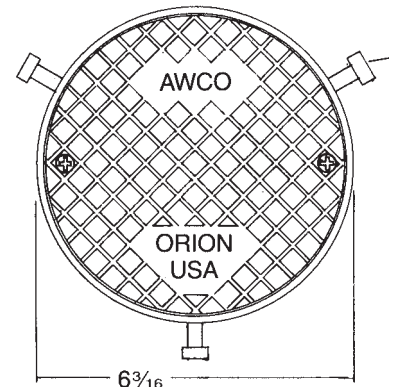
Model & Size	Finish Available
® 3" FCO Square	Nickel Bronze; Brushed Bronze
® 4" FCO Square	Nickel Bronze; Brushed Bronze
® 3" FCO Round Nickel Bronze, PP PVDF	Brushed Bronze
® 4" FCO Round Nickel Bronze; PP PVDF	Brushed Bronze

® ORION FCO corrosion resistant finished floor cleanout. Manufactured from fire retardant polypropylene material conforming to ASTM D4101, ferrule supplied with countersunk plug and adjustable top with round (square) nickel bronze (brushed bronze) cover, with AWCO (Acid Waste Cleanout) cast in cover.

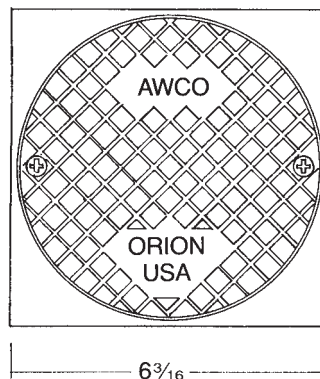
® ORION FCO corrosion resistant finished floor cleanout. Manufactured from PVDF material conforming to ASTM D3222, ferrule supplied with countersunk plug and adjustable top with round (square) nickel bronze (brushed bronze) cover, with AWCO (Acid Waste Cleanout) cast in cover.



FCO-RD



FCO-SQ



JobName: \_\_\_\_\_

JobLocation: \_\_\_\_\_

Engineer \_\_\_\_\_

Contractor: \_\_\_\_\_

Representative: \_\_\_\_\_