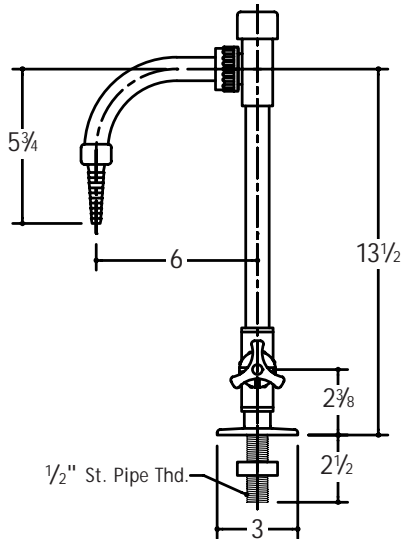


High Purity Laboratory Faucets

GNF 10 VB

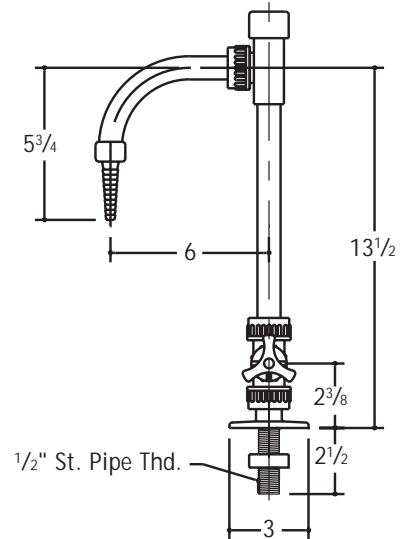


Recommended Specifications

Welded Assembly Deck mounted Laboratory Faucet with integral vacuum breaker manufactured from Virgin unpigmented resin.

Polypropylene per ASTM D 4101 PVDF per ASTM D 3222.

GNF 30 VB

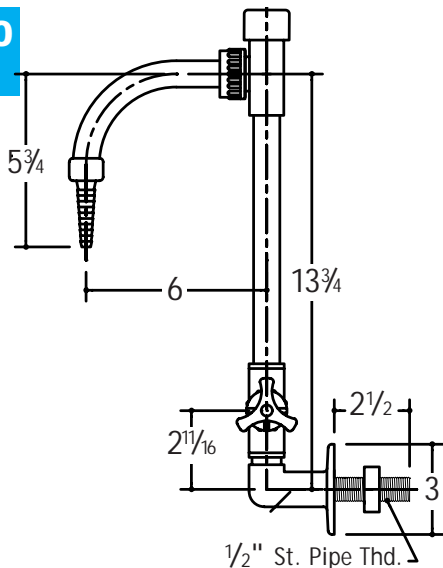


Recommended Specifications

Threaded Assembly Deck mounted Laboratory Faucet with integral vacuum breaker manufactured from Virgin unpigmented resin.

Polypropylene per ASTM D 4101 PVDF per ASTM D

GNF 20 VB

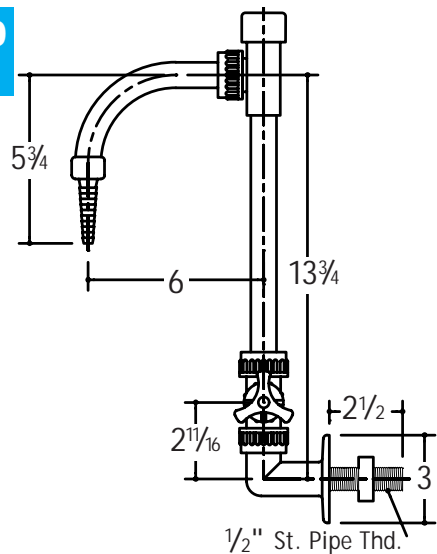


Recommended Specifications

Welded Assembly Wall mounted Laboratory Faucet with integral vacuum breaker manufactured from Virgin unpigmented resin.

Polypropylene per ASTM D 4101 PVDF per ASTM D

GNF 40 VB

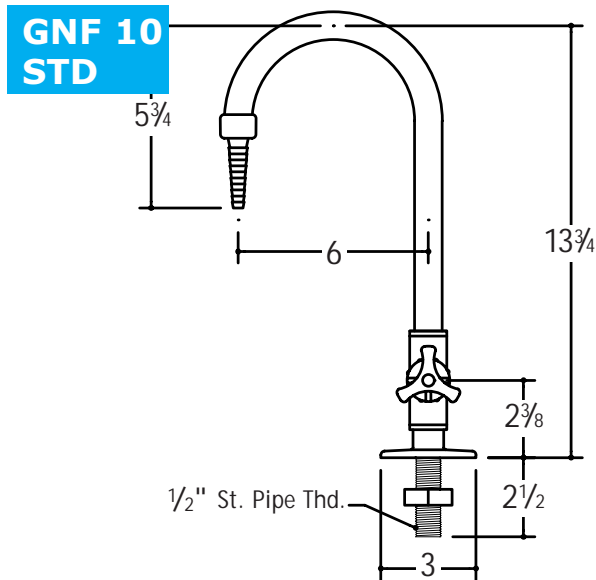


Recommended Specifications

Threaded Assembly Wall mounted Laboratory Faucet with integral vacuum breaker manufactured from Virgin unpigmented resin.

Polypropylene per ASTM D 4101 PVDF per ASTM D

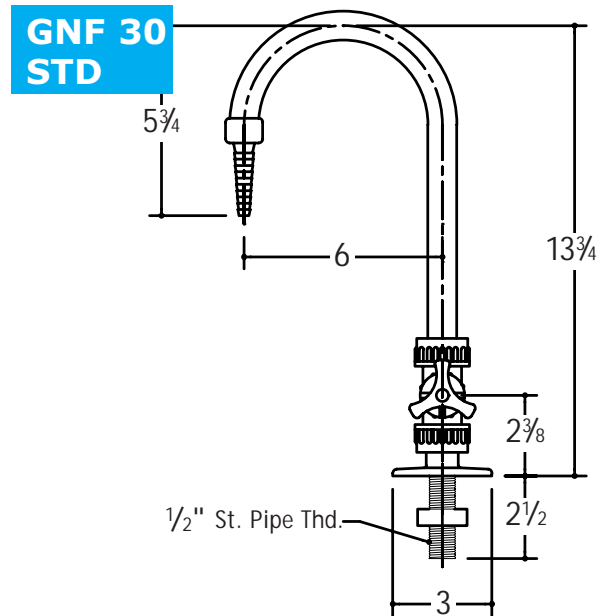
High Purity Laboratory Faucets



Recommended Specifications

Welded Assembly Deck mounted Laboratory Faucet with manufactured from Virgin unpigmented resin.

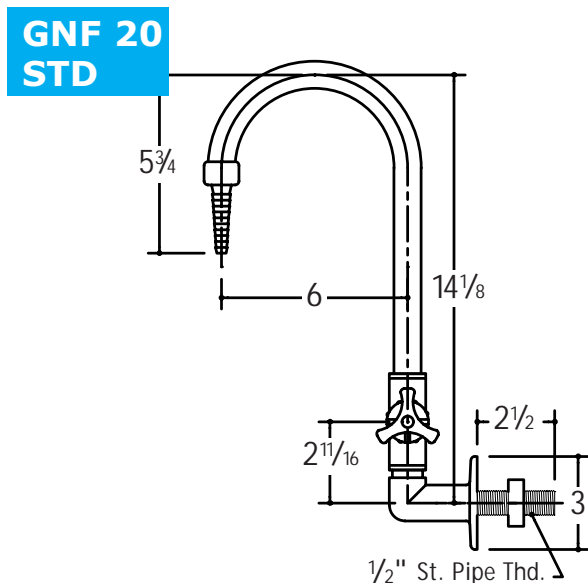
Polypropylene per ASTM D 4101 PVDF per ASTM D



Recommended Specifications

Threaded Assembly Deck mounted Laboratory Faucet manufactured from Virgin unpigmented resin.

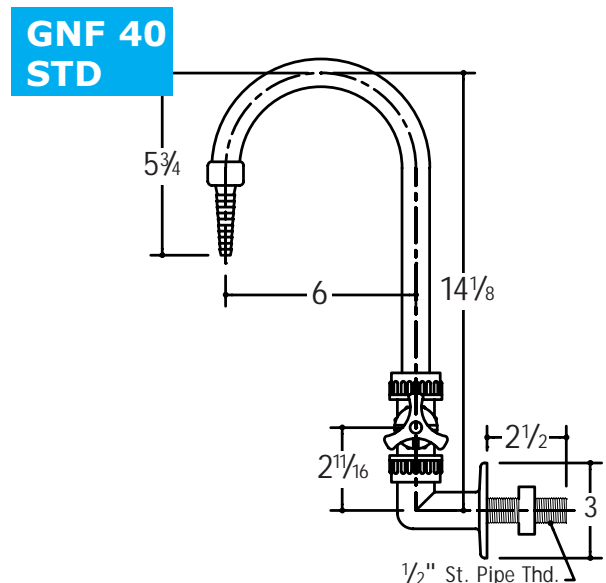
Polypropylene per ASTM D 4101 PVDF per ASTM D



Recommended Specifications

Welded Assembly Wall mounted Laboratory Faucet manufactured from Virgin unpigmented resin.

Polypropylene per ASTM D 4101 PVDF per ASTM D 3222.



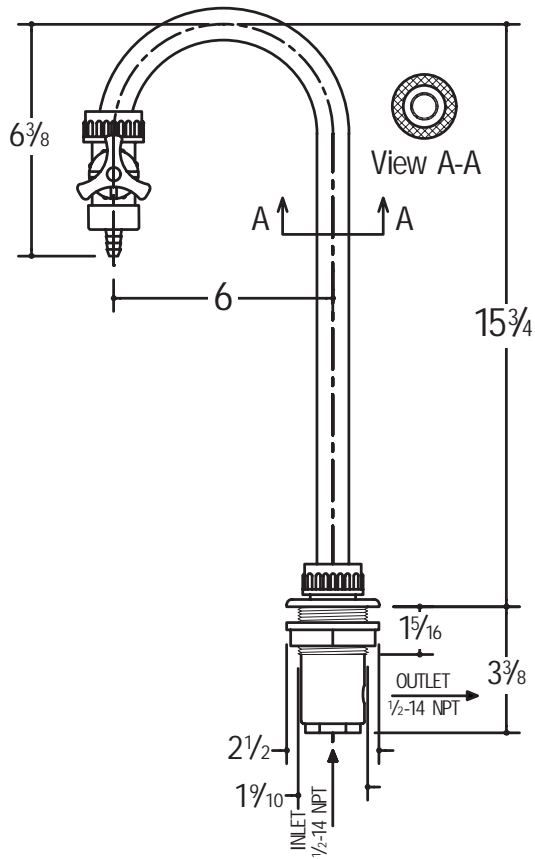
Recommended Specifications

Threaded Assembly Wall mounted Laboratory Faucet with manufactured from Virgin unpigmented resin.

Polypropylene per ASTM D 4101 PVDF per ASTM D

Recirculating Laboratory Faucets

Recirculating Faucet

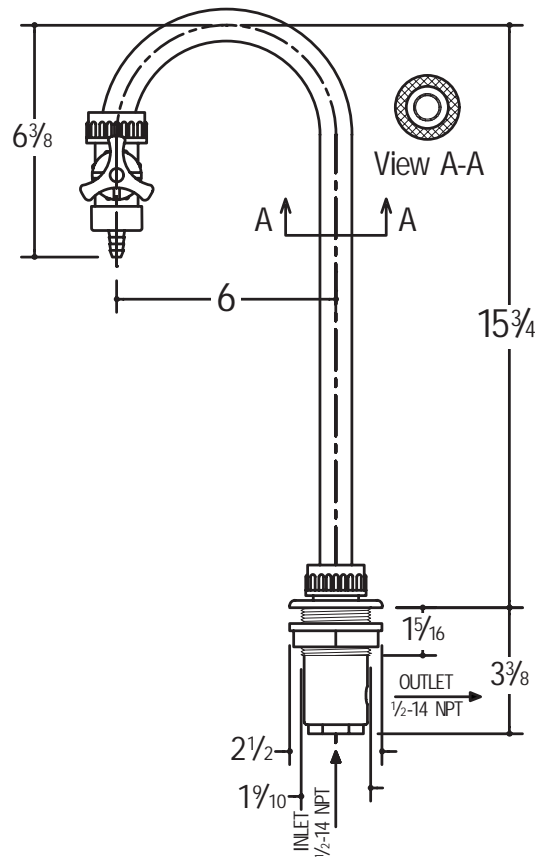


Recirculating Faucet PVDF

Deck mounted Recirculating Laboratory Faucet manufactured from Virgin unpigmented PVDF resin per ASTM D 3222. Inlet and Outlet to be $\frac{1}{2}$ " female pipe thread, and molded into base. Unit to be activated by needle valve of same resin, mounted at point of release of fluid.

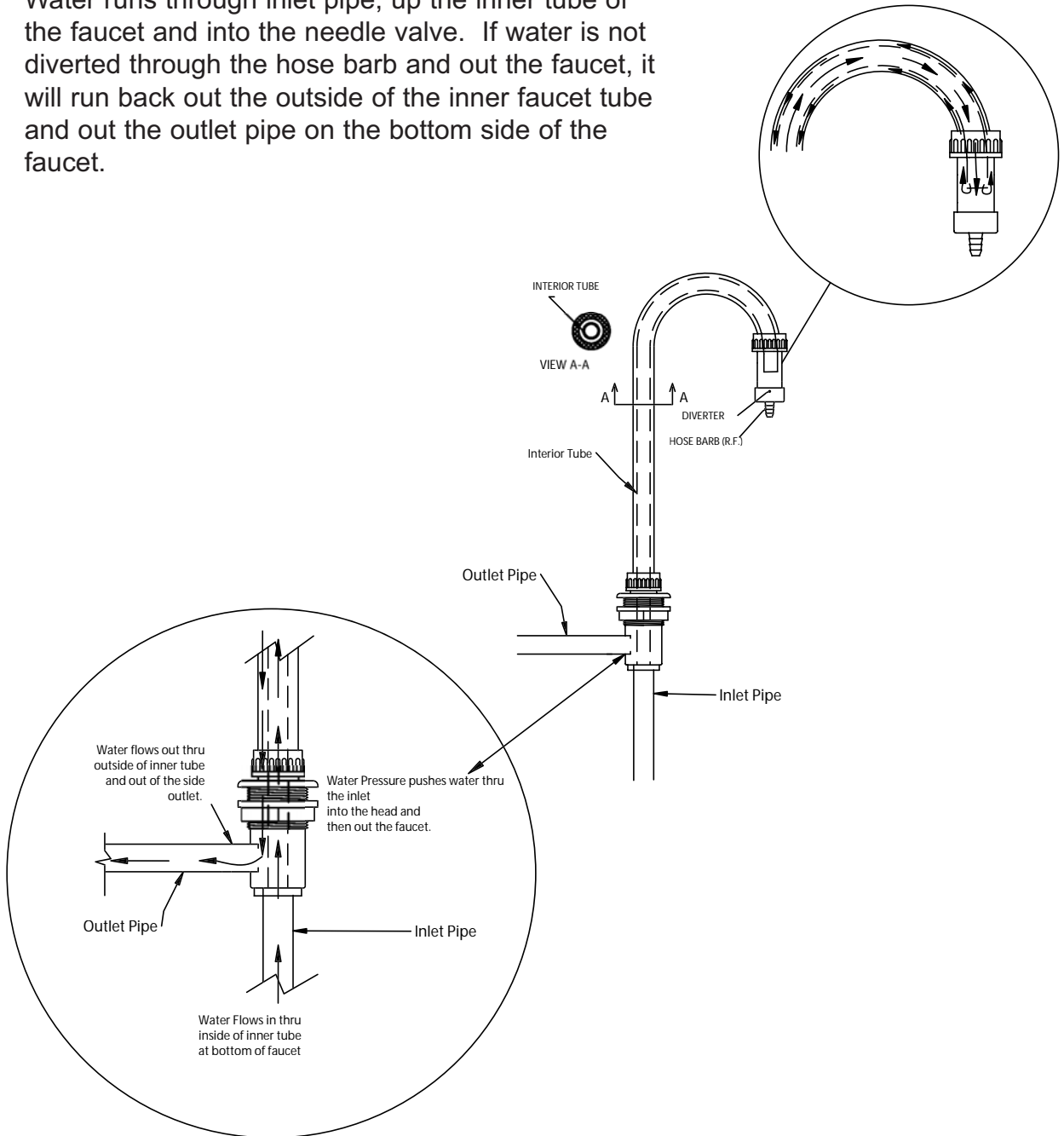
Recirculating Faucet PP

Deck mounted Recirculating Laboratory Faucet manufactured from Virgin unpigmented Type I Homopolymer Polypropylene per ASTM D 4101. Inlet and Outlet to be $\frac{1}{2}$ " female pipe thread, and molded into base. Unit to be activated by needle valve of same resin, mounted at point of release of fluid.



Flow of the Recirculating Faucet

Water runs through inlet pipe, up the inner tube of the faucet and into the needle valve. If water is not diverted through the hose barb and out the faucet, it will run back out the outside of the inner faucet tube and out the outlet pipe on the bottom side of the faucet.

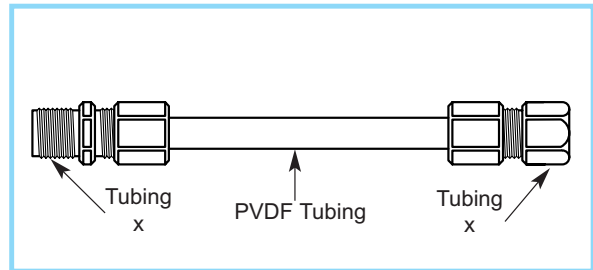


Ultra Pure Water Flex Connector

Orion's flex connector simplifies the connection between the rigid piping in the wall and the base of the faucet. This PVDF tubing connection allows you to connect the faucet and the rigid piping with the same dependable materials as the rest of the system. These connectors are used in both Polypropylene and PVDF systems. The threaded connection can be either male or female allowing you to transition one connection. The threaded connection eliminates the need for special tools under the countertop.

Recommended Specification

Flex connectors shall be manufactured from virgin PVDF resin per ASTM D 3222. PVDF tubing shall be 1/2" in diameter. Threaded connectors shall be manufactured of same resin.



Ultra Pure Water Flex Connector

Description	Part Number
12" lg x 3/8" F.I.P. x 1/2" F.I.P.	38F-12-12F
12" lg x 3/8" F.I.P. x 1/2" M.I.P.	38F-12-12M
12" lg x 3/8" M.I.P. x 1/2" F.I.P.	38M-12-12F
12" lg x 3/8" M.I.P. x 1/2" M.I.P.	38M-12-12M
12" lg x 1/2" F.I.P. x 1/2" F.I.P.	12F-12-12F
12" lg x 1/2" M.I.P. x 1/2" M.I.P.	12M-12-12M
12" lg x 1/2" M.I.P. x 1/2" F.I.P.	12M-12-12F
18" lg x 3/8" F.I.P. x 1/2" F.I.P.	38F-18-12F
18" lg x 3/8" F.I.P. x 1/2" M.I.P.	38F-18-12M
18" lg x 3/8" M.I.P. x 1/2" F.I.P.	38M-18-12F
18" lg x 3/8" M.I.P. x 1/2" M.I.P.	38M-18-12M
18" lg x 1/2" F.I.P. x 1/2" F.I.P.	12F-18-12F
18" lg x 1/2" M.I.P. x 1/2" M.I.P.	12M-18-12M
18" lg x 1/2" M.I.P. x 1/2" F.I.P.	12M-18-12F
24" lg x 3/8" F.I.P. x 1/2" F.I.P.	38F-24-12F
24" lg x 3/8" F.I.P. x 1/2" M.I.P.	38F-24-12M
24" lg x 3/8" M.I.P. x 1/2" F.I.P.	38M-24-12F
24" lg x 3/8" M.I.P. x 1/2" F.I.P.	38M-24-12M
24" lg x 1/2" F.I.P. x 1/2" F.I.P.	12F-24-12F
24" lg x 1/2" M.I.P. x 1/2" M.I.P.	12M-24-12M
24" lg x 1/2" M.I.P. x 1/2" F.I.P.	12M-24-12F
24" lg x 3/8" M.I.P. x 1/2" F.I.P.	38M-24-12M
36" lg x 3/8" F.I.P. x 1/2" F.I.P.	38F-36-12F
36" lg x 3/8" F.I.P. x 1/2" M.I.P.	38F-36-12M
36" lg x 3/8" M.I.P. x 1/2" F.I.P.	38M-36-12F
36" lg x 3/8" M.I.P. x 1/2" M.I.P.	38M-36-12M
36" lg x 1/2" F.I.P. x 1/2" F.I.P.	12F-36-12F
36" lg x 1/2" M.I.P. x 1/2" M.I.P.	12M-36-12M
36" lg x 1/2" M.I.P. x 1/2" F.I.P.	12M-36-12F