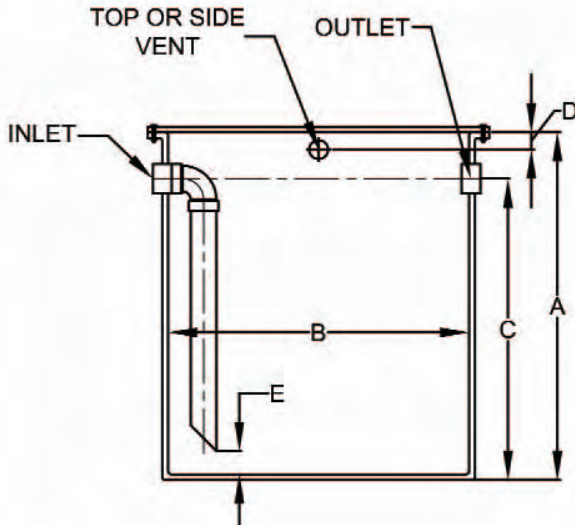


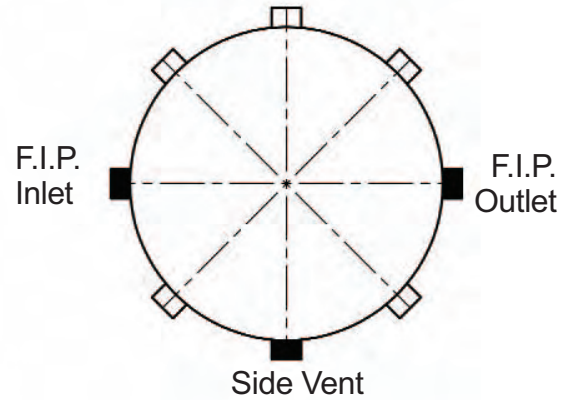
NEUTRALIZATION TANKS

STYLE 4, 5, & 7 STANDARD DIMENSIONS

Standard Heights



Standard Locations Inlet, Outlet & Vent



Gallons	Std. Inlet* & Outlet	Std.* Vent	A Ht.	B** Dia."	C Inlet Outlet	D Vent	E	Wgt.
Industry Standard Size Tanks								
5	2	2	16.25	11	12	3	3	9
15	3	2	15.5	17.25	10	3	3	12
30	3	2	30.5	17.25	25	3	3	18
55	3	2	33.5	22.5	27	3	3	37
100	4	3	49	24	42	3	3	50
150	4	3	48	30	40	3	3	70
180	4	3	42	36	34	3	3	75
200	4	3	53	36	45	3	3	86
275	4	3	48	42	40	3	3	100
360	4	3	48	48	40	3	3	172
500	4	3	60	52	52	3	4	207
600	4	3	84	48	76	3	4	248
1200	4	3	84	69	72	6	4	268
2400	6	4	126	78	114	6	4	663
***Actual Liquid Holding Capacity Sizes								
5W	2	2	16	13	11	3	3	11
15W	3	2	24	16	20	3	3	15
30W	3	2	24	22	20	3	3	20
55W	3	2	36	24	30	3	3	40
100W	4	3	48	31	38	3	3	55
150W	4	3	48	36	38	3	3	75
200W	4	3	48	42	38	3	3	90

*All tanks standard furnished with FIP threaded adapters. All other additional fittings from price sheet All measurements in inches.
 ** Allow additional 5" for flange clearance on diameter of tank. Weight in pounds

All tanks are supplied with above sized Inlet, Outlet, and Vent, at List Price. Tanks may be ordered with other variations on Inlets, Outlets and Vents as well as different locations and elevations of openings. For additional openings, or variations of fitting sizes, contact your Orion Representative for Pricing.

Note: All tanks are free standing and self supporting except 1200 and 2400, which require support braces or FRP.

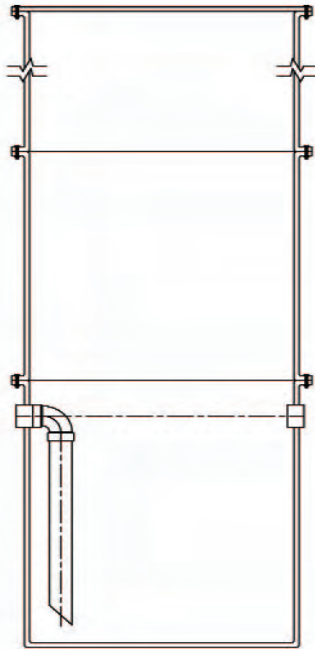
Note: Tanks often ship dimensional weight. Consult freight carrier for details on dimensional weight.

***Actual liquid holding tanks are sized so that with limestonefill, the tank still has the rated gallon capacity.

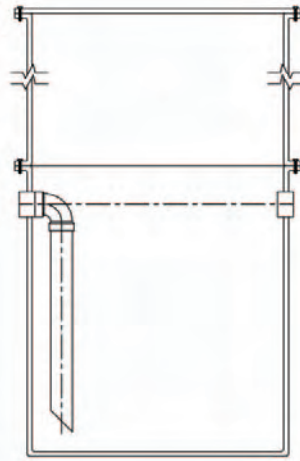
Tank Extensions

Certain applications require tanks to be extended to the finished grade level. Orion's Style 4, 5, & 7 tank heights can typically be extended to a height that is three times the total height of the standard tank (two tank extensions). Orion offers both full diameter extensions and reduced diameter extensions made from our standard tanks. They can be supplied with the same options as standard tanks.

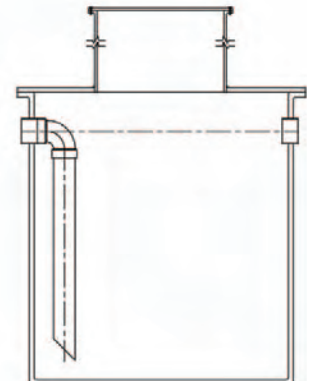
Tanks with extensions that are going to be direct buried should be placed in a vault or pipe sleeve.



Full Diameter
Double Lift Extension



Full Diameter
Single Lift Extension



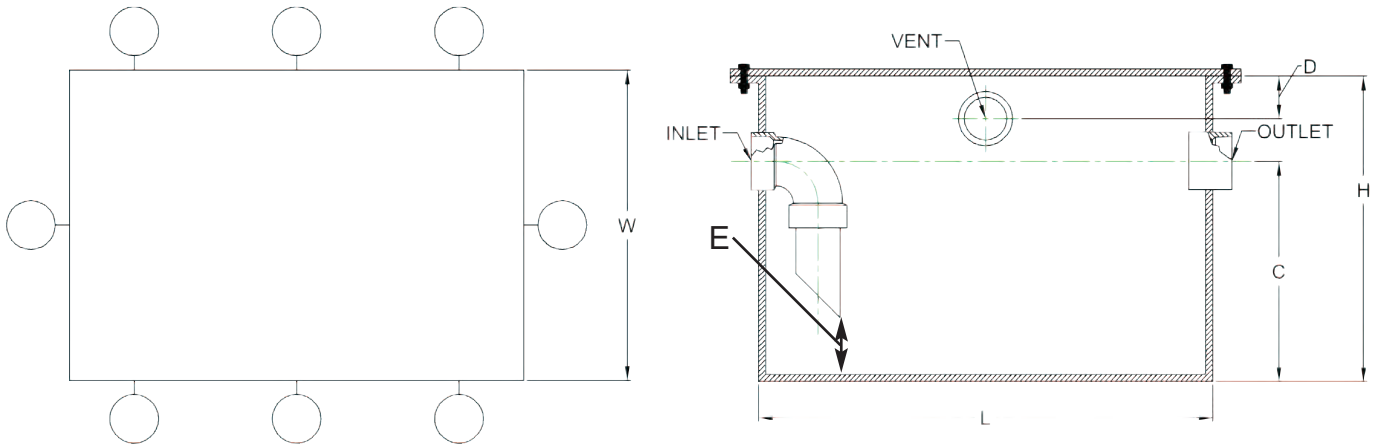
Reduced Diameter
Extension

Gallons	Std. Tank Ht.	Extension Min / Max	Single Lift Ext. Total Height		Double Lift Ext. Total Height	
			Min	Max	Min	Max
5	16.25	4 / 14	20.25	30.25	24.25	44.25
15	15.5	4 / 14	19.5	29.5	23.5	43.5
30	30.5	4 / 28	34.5	58.5	38.5	86.5
55	33.5	4 / 31	37.5	64.5	41.5	95.5
100	49	4 / 47	53	96	57	143
150	48	4 / 46	52	94	56	140
180	42	4 / 40	46	82	50	122
200	53	4 / 51	57	104	61	144
275	48	4 / 46	52	94	56	140
360	48	4 / 46	52	94	56	140
500	60	4 / 58	64	118	68	144
600	84	4 / 58	88	142	92	144
1200	84	4 / 36	88	120	92	144

All Dimensions In Inches

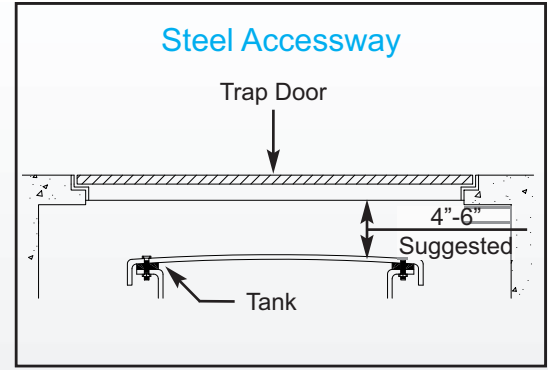
Rectangular Tanks

Orion's rectangular tanks have the same cover options (Adjustable Extension - Not Available), connection options and access options as our standard tanks. Rectangular tanks are custom built to meet engineers' specifications; with a wide range of tank sizes (1 Gallon to 670 Gallon).



Part Number	Size	L	W	H	C	D	E
ORT0001	1 Gal.	6"	12"	6"	3"	1.5"	2"
ORT0002	2 Gal.	8"	8"	8"	5"	1.5"	2"
ORT0005	5 Gal.	10"	16"	8"	5"	1.5"	2"
ORT0015	15 Gal.	12"	24"	12"	7"	2"	4"
ORT0030	30 Gal.	12"	24"	24"	18"	2"	4"
ORT0055	55 Gal.	24"	30"	18"	12"	2"	4"
ORT0115	115 Gal.	30"	30"	30"	24"	2"	4"
ORT0150	150 Gal.	24"	48"	30"	24"	2"	4"
ORT0215	215 Gal.	36"	36"	42"	36"	2"	4"
ORT0265	265 Gal.	36"	72"	24"	18"	2"	4"
ORT0400	400 Gal.	36"	72"	36"	30"	2"	4"
ORT0540	540 Gal.	36"	72"	48"	42"	2"	4"
ORT0670	670 Gal.	36"	72"	60"	54"	2"	4"

TRAP DOORS



Suggested Trap Door Sizes For Orion Standard Tanks

Tank Size	Trap Door Size
5, 15, 30 galls	24"x24"
55, 100 galls	36"x36"
150, 180, 200 galls	48"x48"
275, 360, 500, 1200	60"x60"



TYPE OR: 150 PSF Steel With Loose Cover

Model	Dimensions
OR-24	24"x24"
OR-36	36"x36"
OR-48	48"x48"



TYPE K / TYPE Q: 150 PSF Hinged Cover

Model	Model	Dimensions
AL	Steel	
K1	Q1	24"x24"
K4	Q4	36"x36"
KD2	QD2	48"x48"
KD4	N/A	60"x60"

"D" represents a double door version



TYPE J: 300 PSF Hinged Cover

Model	Model	Dimensions
AL	Steel	
J1AL	J1	24"x24"
J4AL	J4	36"x36"
JD2AL	JD2	48"x48"
JD4AL	JD4	60"x60"

"D" represents a double door version



TYPE JH20: H-20 Wheel Loading

Model	Dimensions
Steel	
J1H20	24"x24"
J4H20	36"x36"
JD2H20	48"x48"
JD4H20	60"x60"

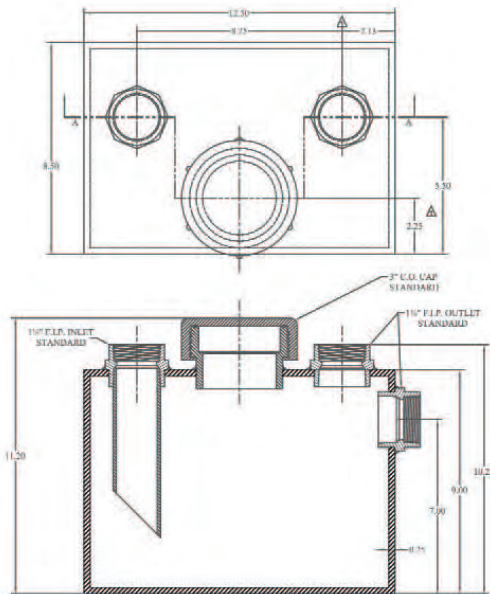
"D" represents a double door version

DILUTION CONTINUED...

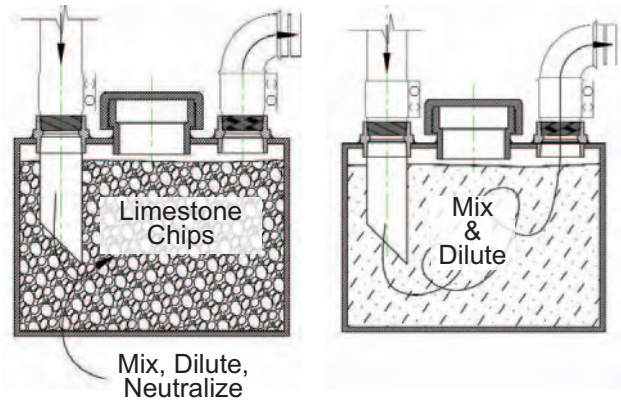
Style 8 Dilution Tank/Trap Continued...

Standard Style 8 - Top Inlet/Outlet/Clean out (as shown below).

Optional Style 8 - Top Inlet & Clean out with Side Outlet



Style 8 Operations

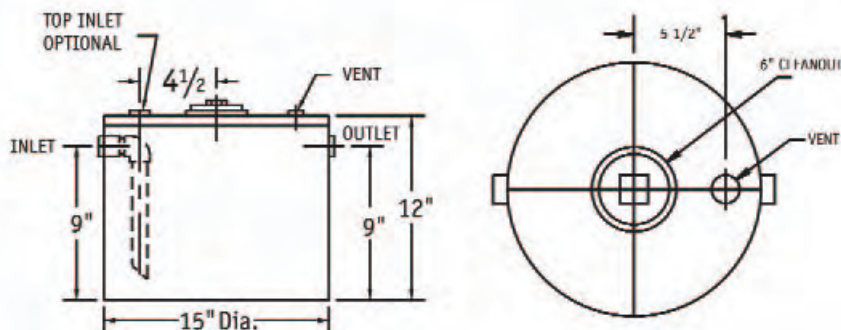


Style 9 Dilution Tank - 5 gallons

Orion style 9 tanks are specifically designed for under-bench use where a larger capacity is required. When used without limestone chips the tank serves as a dilution basin. When used with limestone chips the tank serves as a point of use neutralization tank. These tanks must be vented.

The tanks are compact in design allowing for easy fitting. Standard connections are 2" female threaded inlet and outlet, 1-1/2 female threaded vent. A 6" cleanout is mounted on the tank top to facilitate inspection and maintenance.

The standard tank configuration is shown. These are held in stock. As with all Orion tanks additional configurations can be produced to match a customer's requirements.



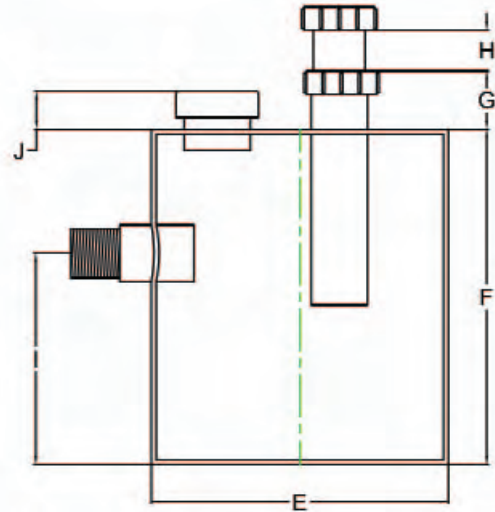
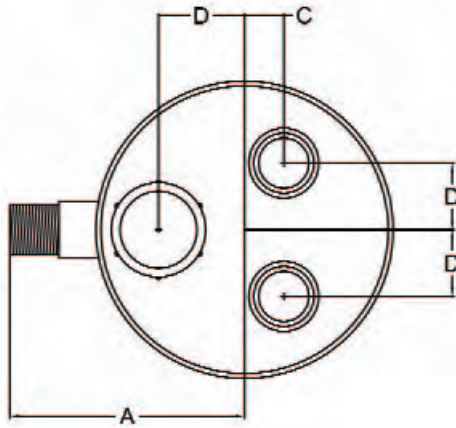
Style 10 Dilution tank / Trap - 2 gallons

Orion style 10 tanks are specifically designed for under-bench use where a moderate flow is anticipated. When used without limestone chips the tank serves as a dilution basin / trap. When used with limestone chips the tank serves as a point of use neutralization tank. The tanks may be ordered as opaque allowing liquid levels to be visually ascertained.

The tanks are compact in design allowing for easy fitting. Standard connections are 1-1/2" female threaded inlet, 1-1/2" male threaded outlet. A 2" cleanout is mounted on the tank top to facilitate inspection and maintenance.

Single or dual inlets can be provided.

The standard tank configuration is shown. These tanks are held in stock. As with all Orion tanks, additional configurations can be produced to match a customer's requirements.



Dimensional Table

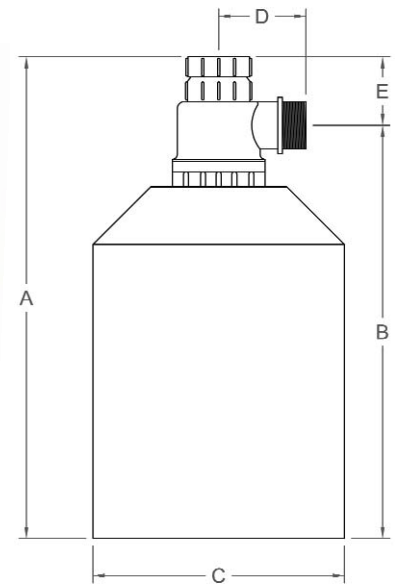
A	B	C	D	E	F	G	H	I	J	INLET	# of INLETS	OUTLET
7.31"	2.50"	1.19"	2.06"	9.00"	10.16"	1.91"	0" - 10"	6.78"	1.64"	1 1/2"	1	2"
7.31"	2.50"	1.19"	2.06"	9.00"	10.16"	1.91"	0" - 10"	6.78"	1.64"	1 1/2"	2	2"

DILUTION CONTINUED...

Style 11 Anti-Syphon Dilution Trap 1, 2 & 5 Gallons

Anti-syphon dilution traps are a pure dilution trap. They cannot be used with limestone chips for neutralization. They are available in 1, 2, and 5 gallon sizes for under-bench applications. The inlet and outlet locations are fixed as shown below.

Gallons	A In.	B In.	C In.	D In.	E Max.	E Min.
1	11.75"	9"	7.50"	2.88"	2.50"	7.50"
2	17.00"	14.25"	7.50"	2.88"	3.50"	13.50"
5	19.50"	17.00"	11.50"	2.88"	3.50"	13.50"



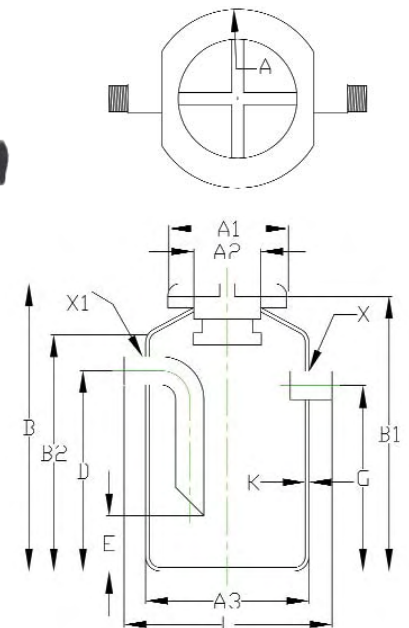
Style 12 Dilution Trap - 6 Gallons

Orion style 12 tanks are specifically designed for under-bench use where large flows are anticipated.

When used without limestone chips the tanks serves as a dilution basin. When used with limestone chips the tank serves as a point of use neutralization tank. The tanks have a quick start thread cover for easy access and maintenance.

1½" and 2" inlets and outlets are stocked as standard.

The standard tank configuration is shown. These are held in stock. As with all Orion tanks additional configurations can be produced to match a customer's requirements.



Dimensional Table

A	A1	A2	A3	B	B1	B2	D	E	G	L	K	X - (MPT)	X1 - (MPT)
12"	8"	5.5"	11"	18.5"	17.75"	16"	13.5"	2"	12.5"	16"	.25"	1.5"	1.5"
12"	8"	5.5"	11"	18.5"	17.75"	16"	13.5"	2"	12.5"	16"	.25"	2"	2"