

More Than A Retrofit-Spool It's A Solution!

The fast, versatile approach for efficiently replacing a backflow preventer



Working with FEBCO

Configure a backflow preventer replacement tailored specifically to your job requirements.

- Unique outside-the-shutoff valve design offers a wide choice of configuration options
- Configuration not limited by inside-the-shutoff valve and approvals
- Custom spool produced with optional connections, flush ports, branches, or tees
- Order easily — configure a backflow retrofit solution in a few simple steps
- Built to order — ships fully assembled or as parts
- Most orders ship within 48 hours

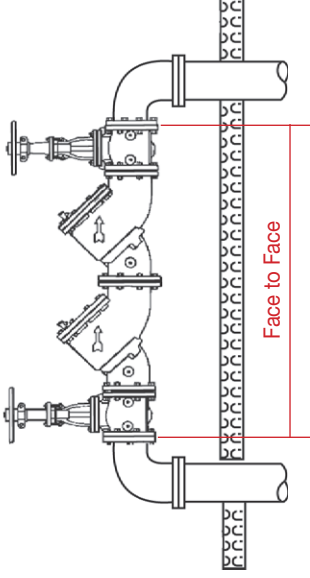
Job Name: _____ Rep: _____
 Customer: _____
 Contact: _____
 Phone: _____ Fax: _____

> **CONFIGURATOR** <

Required - Provide Field Measurement: Face to Face

Measurement= _____

Manufacturer/model being replaced= _____



1

Flow direction>

Required	Optional	Required	Required	Default Spool Location
Size <input type="checkbox"/> 2-1/2" <input type="checkbox"/> 3" <input type="checkbox"/> 4" <input type="checkbox"/> 6" <input type="checkbox"/> 8" <input type="checkbox"/> 10"	Inlet Spool <input type="checkbox"/> Yes <input type="checkbox"/> No	#1 Shut Off <input type="checkbox"/> NRS <input type="checkbox"/> OSY <input type="checkbox"/> PIV <input type="checkbox"/> NRS (domestic)	Backflow Preventer <input type="checkbox"/> LF850 <input type="checkbox"/> LF860 <input type="checkbox"/> LF856 <input type="checkbox"/> LF866	#2 Shut Off <input type="checkbox"/> NRS <input type="checkbox"/> OSY <input type="checkbox"/> PIV <input type="checkbox"/> NRS (domestic)
				Outlet Spool* <input type="checkbox"/> Yes <input type="checkbox"/> No

Assembly Instructions:

- Ship Spool Separate (strapped to pallet)
- Ship Spool Attached to Assembly

If two spools requested, give length of both:

<input type="checkbox"/>	Inlet Spool Length	Outlet Spool Length
<input type="checkbox"/>	Both Spools Same Length	

Detector Meter Type

- GPM
- CFM
- Less Meter

2

Need By Date:

Ships in 5-7 days, or 24-48 hours if needed

All assemblies are built to customer specifications and are considered custom valve assemblies. Orders once submitted will be considered non-cancellable and non-returnable. Below signature verifies field dimensions and all other options specified in this document. If you have any questions prior to the order placement please do not hesitate to contact your local representative or customer service department.

Signature Verifying Field Measurement:

Date:



A WATTS Brand

USA: T: (800) 767-1234 • F: (800) 788-4491 • FEBCOonline.com
Canada: T: (905) 332-4090 • F: (905) 332-7068 • FEBCOonline.ca
Latin America: (52) 81-1001-8600 • FEBCOonline.com
 © 2018 Watts