

For Residential, Light Commercial, and Snow Melt Applications

Job Name _____

Contractor _____

Job Location _____

Approval _____

Engineer _____

Contractor's P.O. No. _____

Approval _____

Representative _____

HydroNex® Direct Panel

Sizes: 1-1/4" Trunk; 1" Zone Supply & Returns

Direct panels are designed to supply high temperature zones, such as dedicated water heaters, baseboards or fan coil units. All supply and return lines are 1". Direct panels can supply 1 to 5 zones.

Under certain conditions, such as with the use of a condensing boiler, Direct panels can be connected directly to the heat source, provided the following conditions apply:

- Proper flow is maintained through the heat source.
- Heat source can be set to desired temperature setting (no mixing required).
- No minimum return fluid temperature is required for the heat source.
- All necessary conditions and piping practices, as outlined by the heat source manufacturer, are properly maintained.

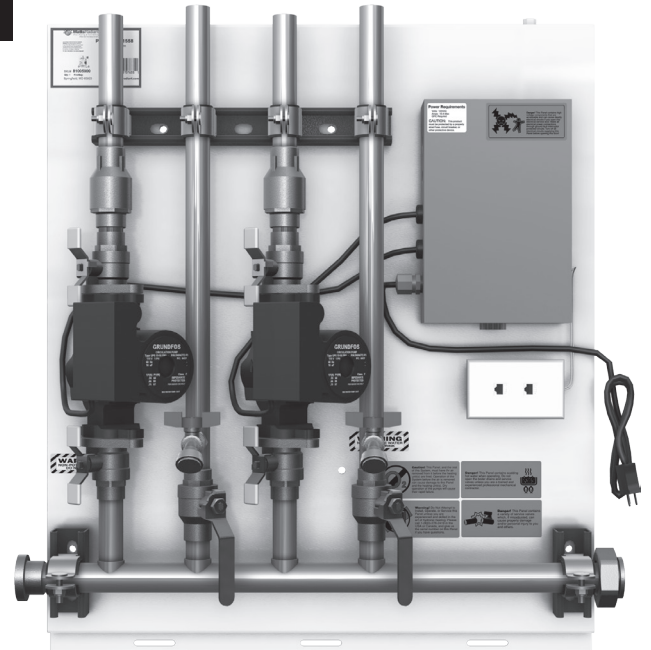
Installation Parameters

Make sure an electrical outlet is within 3 feet of where the Direct panel will mount. If there are no outlets nearby, one will need to be added.

Install and level Z-Bracket with 1/4" x 2-1/2" lag screw to studs. Make sure the Z-Bracket is the correct size for the given Direct panel. Incorrect Z-Brackets may interfere with cover placement.

Hang the Direct panel on the Z-Bracket. Lag screws should be added to the bottom of the panel, further securing the panel to the wall. Hang cover from top down.

In order to avoid property damage, injury, and/or death, please refer to the complete installation manual and warnings provided with the product.



Features

Wall mounted white powder coated back panel and cover
Easy access to all components
Pre-wired circulators and controls
Simple CAT-5 jump wiring to connect panels
O-Ring sealed, threaded union connection between panels
Integrated leveling system
Z-Bracket for simplified mounting

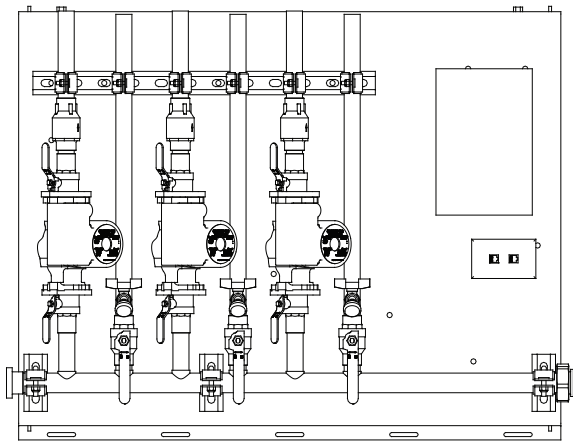
Specifications

Supply Voltage	120 Volts
Circulator Type	Watts Radiant 15-58 Taco 007 Bell and Gossett NRF-22
Electrical	Relay and CAT-5 Connections
Temperature, Pressure Ratings	210°F @ 100 psi.

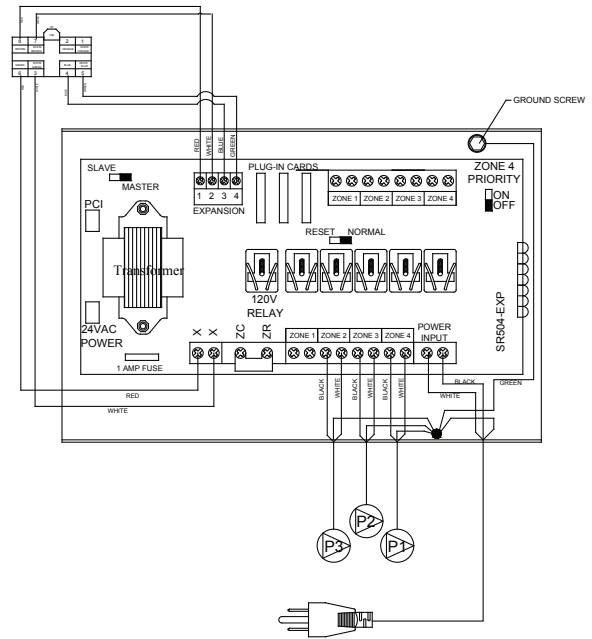
Note: Maximum total flow for panel is 22 gpm. Maximum flow for each 1" secondary is 8 gpm.

WattsRadiant™
Floor Heating & Snow Melting

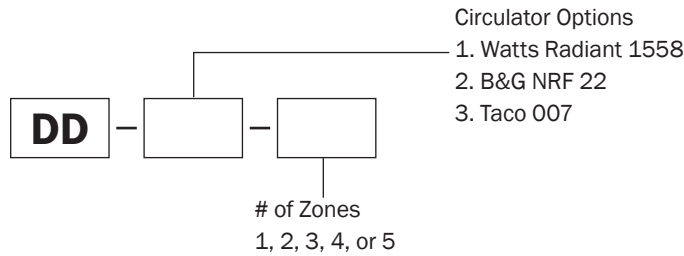
Watts product specifications in U.S. customary units and metric are approximate and are provided for reference only. For precise measurements, please contact Watts Technical Service. Watts reserves the right to change or modify product design, construction, specifications, or materials without prior notice and without incurring any obligation to make such changes and modifications on Watts products previously or subsequently sold.



HydroNex Direct 3 zone panel. Direct series are available from 1 to 5 zones.



HydroNex Direct 3 zone panel Schematic.



DESCRIPTION	MODEL #	WT. (lbs)	SIZE
1 Zone D-Direct	DD - ____ - 1	55-60	S
2 Zone D-Direct	DD - ____ - 2	90-95	
3 Zone D-Direct	DD - ____ - 3	120-125	M
4 Zone D-Direct	DD - ____ - 4	155-160	
5 Zone D-Direct	DD - ____ - 5	185-190	L

S = 28" wide x 31.5" tall x 12" deep
M = 40" wide x 31.5" tall x 12" deep
L = 52" wide x 31.5" tall x 12" deep