

For Residential and Commercial Applications

Job Name _____

Contractor _____

Job Location _____

Approval _____

Engineer _____

Contractor's P.O. No. _____

Approval _____

Representative _____

Outdoor Sensor 070

Dimensions: 4-1/2" H x 2-7/8" W x 1-1/2" D
(73 x 114 x 38 mm)

The Outdoor Sensor 070 provides accurate measurement of the outdoor air temperature. Many controls and thermostats can connect to the 070 to measure and display the outdoor temperature.



Outdoor Sensor 070

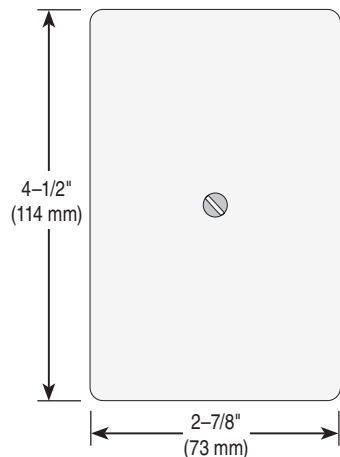
Outdoor Sensor 070

DESCRIPTION	PROPERTY
Literature	ES-WR-Outdoor_Sensor-070, IOM-WR-Outdoor_Sensor-070
Packaged weight	0.4 lb. (180 g)
Dimensions	4-1/2" H x 2-7/8" W x 1-1/2" D (73 x 114 x 38 mm)
Enclosure	White PVC plastic, NEMA type 2
Approvals	CSA C US
Operating range	-58 to 140°F (-50 to 60°C)
Sensor	NTC thermistor, 10 kΩ @ 77°F (25°C ±0.2°C) β=3892

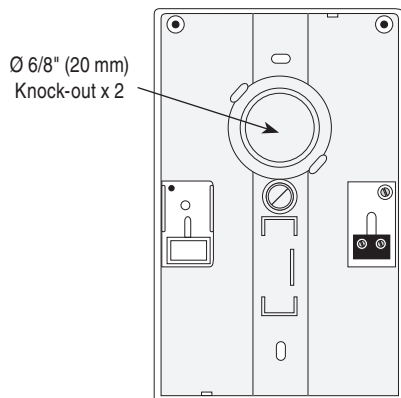
Features

- 10K thermistor
- UV resistant enclosure
- Mounts directly to a wall or 2" X 4" electrical box
- Sensor built right into enclosure

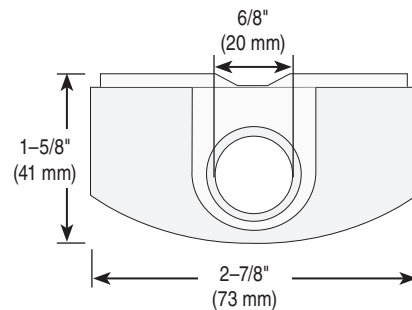
Front View



Front - Cover Off



Bottom View



Product Options

Qty	Description	Order#
	Outdoor Sensor 070	81000132

WattsRadiant™ Watts Radiant product specifications in U.S. customary units and metric are approximate and are provided for reference only. For precise measurements, please contact Watts Radiant Technical Service. Watts Radiant reserves the right to change or modify product design, construction, specifications, or materials without prior notice and without incurring any obligation to make such changes and modifications on Watts Radiant products previously or subsequently sold.

A Watts Water Technologies Company

USA: Springfield, MO • Tel. (800) 276-2419 • Fax: (417) 864-8161 • www.wattsradiant.com

Canada: Burlington, ONT. • Tel. (905) 332-4090 • Fax: (905) 332-7068 • www.watts.ca