

For Residential and Commercial Applications

Job Name _____

Contractor _____

Job Location _____

Approval _____

Engineer _____

Contractor's P.O. No. _____

Approval _____

Representative _____

Snow/Ice Sensor Socket 091

**Dimensions: 3-13/16" H x 3-1/2" OD
(97 mm H x 89 mm OD)**

The Snow/Ice Sensor Socket 091 is designed to provide a mounting solution for the Snow/Ice Sensor 090. It is intended to be installed directly into a concrete slab when the slab is poured, so that the 090 can be installed into it once dry.



Snow/Ice Sensor Socket 091

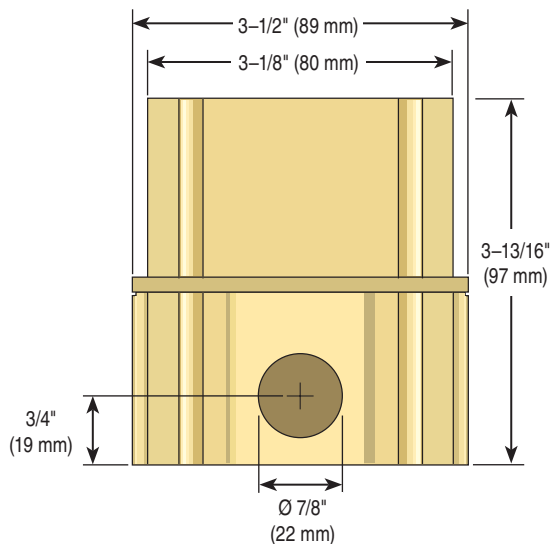
Snow/Ice Sensor Socket 091

DESCRIPTION	PROPERTY
Literature	ES-WR-Snow_Socket-091, IOM-WR-Snow_Ice-090
Packaged weight	1.5 lbs (670 g)
Socket material	Silicon brass
Dimensions	3-13/16" H x 3-1/2" OD (97 mm H x 89 mm OD)
Approvals	CSA C US with Watts Radiant Snow/Ice Sensor 090
Included	One polyethylene protective cap, one polyethylene mounting plate and eight #6-32 x 3/8" screws

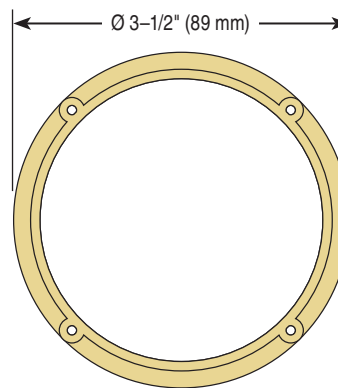
Features

- Provides mounting solution for Snow/Ice Sensor 090
- Includes mounting plate

Front View



Top View



Product Options

Qty	Description	Model#	Order#
	Snow/Ice Sensor Socket 091	300111	81003753

WattsRadiant™ Watts Radiant product specifications in U.S. customary units and metric are approximate and are provided for reference only. For precise measurements, please contact Watts Radiant Technical Service. Watts Radiant reserves the right to change or modify product design, construction, specifications, or materials without prior notice and without incurring any obligation to make such changes and modifications on Watts Radiant products previously or subsequently sold.

A Watts Water Technologies Company

USA: Springfield, MO • Tel. (800) 276-2419 • Fax: (417) 864-8161 • www.wattsradiant.com
Canada: Burlington, ONT. • Tel. (905) 332-4090 • Fax: (905) 332-7068 • www.watts.ca