

For Residential, Light Commercial, and Snowmelt Applications

Job Name _____

Contractor _____

Job Location _____

Approval _____

Engineer _____

Contractor's P.O. No. _____

Approval _____

Representative _____

HydroNex Special Interest Panel

Sizes: 1-1/4" Trunk

Special interest panels are a dedicated series designed to solve specific mechanical needs. These solutions may or may not directly incorporate other Hydronex panels.

This is a stand-alone, weather-responsive, variable-speed injection pump panel with a Tekmar 361 outdoor reset control, designed to be used with any properly field constructed primary/secondary mechanical room. Each VIP Mechanical panel is equipped with a 1-1/4" main trunk with a 1/2" injection bridge.

Installation

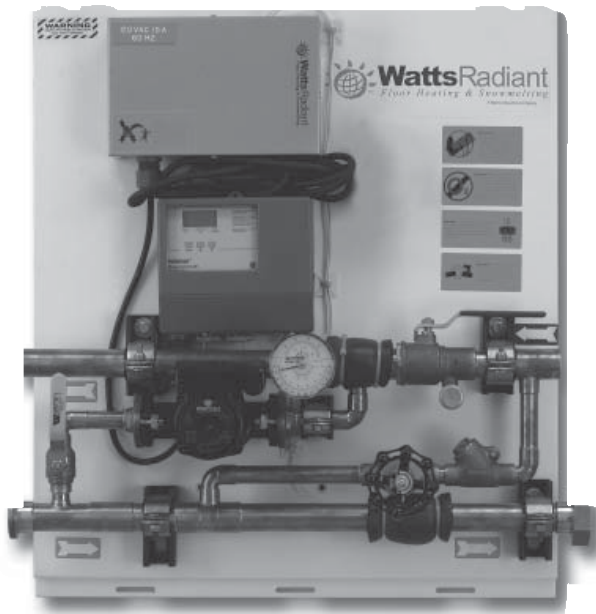
Make sure an electrical outlet is within 3 feet of where the D-Series panel will mount. If there are not outlets, one will need to be added.

Install and level Z-Bracket with 1/4" x 2-1/2" lag screw to studs. Make sure the Z-Bracket is the correct size for the given D-Series panel. Incorrect Z-Brackets may interfere with cover placement.

Hang the D-Series panel on the Z-Bracket. Optional lag screws may be added to the bottom of the panel, further securing the panel to the wall. Hang cover from top down.

To purge a VIP panel make sure all necessary isolation valves are closed and all purge valves are open. Proceed until all zones are filled and purged. Open all purge ball valves and cap the drain. Make sure all isolation ball valves are open for normal operation.

Refer to the installation manual for further details.



Features

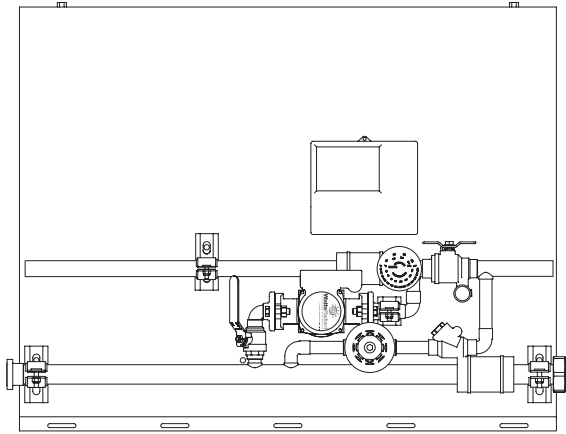
- Wall mounted white powder coated back panel and cover.
- Easy access to all components.
- Pre-wired circulators and controls.
- Single union connection between panels.
- Integrated leveling system.
- Z-Bracket for simplified mounting.

Specifications

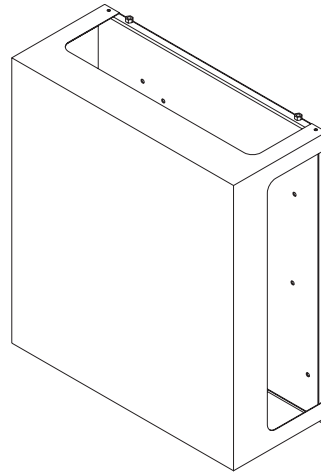
Supply Voltage 120 Volts
 Circulator Type. Watts Radiant 15-58
 Taco 007
 Bell and Gossett NRF-22
 Electrical Relay and CAT 5 Connection
 Injection/Reset Control Tekmar 361



Watts product specifications in U.S. customary units and metric are approximate and are provided for reference only. For precise measurements, please contact Watts Technical Service. Watts reserves the right to change or modify product design, construction, specifications, or materials without prior notice and without incurring any obligation to make such changes and modifications on Watts products previously or subsequently sold.



Hydronex Special Interest panel.



Product Options

Qty.	Description	Part #	Order #	Panel Size
	VIP Variable-injection Mech. Rm. Panel, Watts Radiant Pump	VIPWR1558	81005891	28" x 31.5"
	VIP Variable-injection Mech. Rm. Panel, Taco Pump	VIPTA007	81005892	28" x 31.5"
	VIP Variable-injection Mech. Rm. Panel, Bell & Gossett Pump	VIPBGNRF22	81005893	28" x 31.5"