

# Product Bulletin: Manifold Mounting Box

## Manifold Boxes

Watts Radiant manifold mounting boxes come in three main sizes: 16"x29"x4-1/2", 25"x29"x4-1/2", and 40"x29"x4-1/2". Each box is designed to be recessed into a 4" or 6" stud wall.

Each box contains assembly components listed below, as well as box elevators. The elevators can raise the box from 1.5" to 4-1/2" off of the floor.

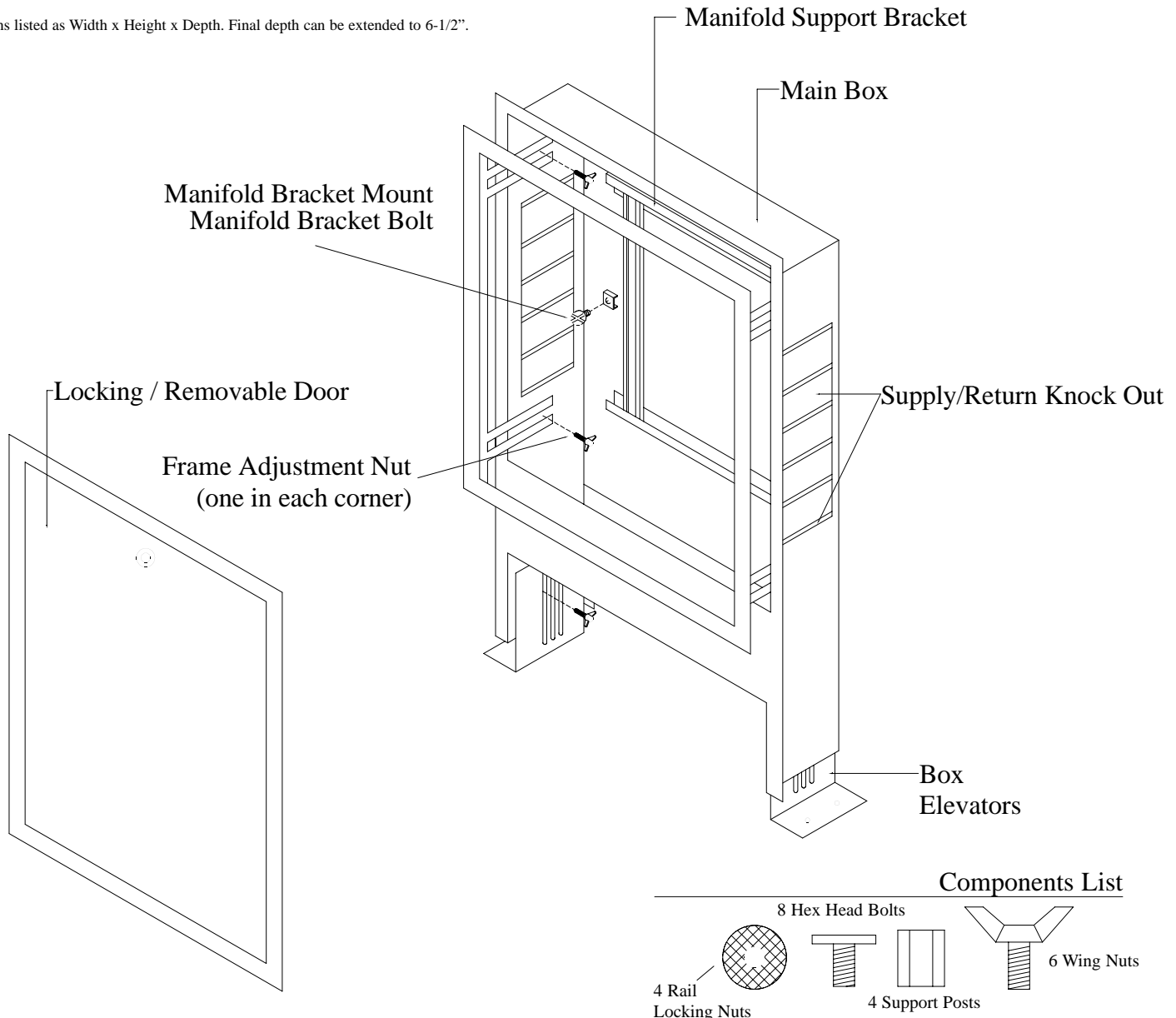
Each manifold box is constructed of powder-coated sheet metal, providing increased resistance to corrosion and job-site abuse.

Description*	Item Number	Order Number	List Price
16" x 28-1/2" x 4-1/2"	PZ162704	81001525	\$148.81
25" x 28-1/2" x 4-1/2"	PZ242704	81003497	\$236.41
40" x 28-1/2" x 4-1/2"	PZ402704	81004517	\$289.46

\*Dimensions listed as Width x Height x Depth. Final depth can be extended to 6-1/2".

## Assembly Instructions

1. Remove and set aside the door.
2. Adjust box height by using the Box Elevators located on the sides with (2) Wing Bolts and Washers.
3. Adjust frame depth to wall requirements by using the (4) Wing Bolts and washers locked in the inside four corners.
4. Secure the Main Box in the frame wall.
5. Slide the vertical Manifold Bracket Mounts into the horizontal Manifold Support Brackets. Secure the manifold brackets to the Manifold Support Bracket using the Locking Rail Nut and Hex Head Bolt. Line up the manifold brackets as shown on reverse side.
6. Knock out the supply/return knock-outs on either side, as needed.
7. Install the door frame by resting it onto the lower rail of the frame and lift. Secure door via the lock.

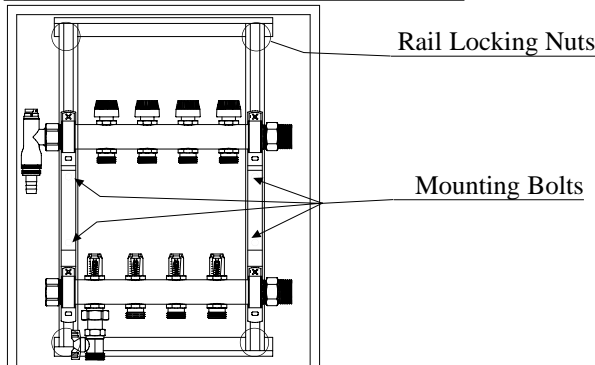


# Product Bulletin: Manifold Mounting Box



4500 E. Progress Place  
Springfield, MO 65803  
ph: 417.864.6108  
fax: 417.864.8161  
www.wattsradiant.com

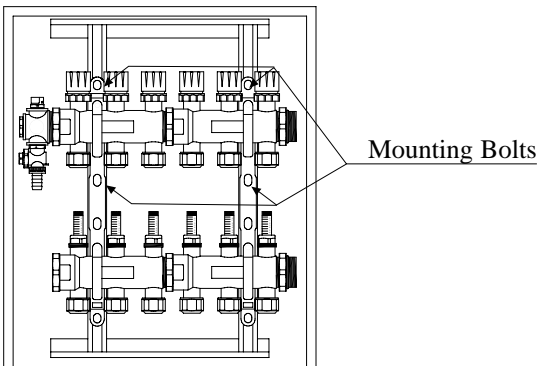
## Stainless Steel Manifold Options



Watts Radiant Manifold Boxes come with three (2) fixed horizontal attachments rails and (2) vertical adjustment rails to better accommodate a wide range of manifold mounting brackets. Each Watts Radiant Manifold option will utilize different rail positions, depending on the bracket used.

Each manifold box comes with (4) rail locking nuts, (4) support posts and (8) hex head bolts.

## CazzBrass Manifold Options



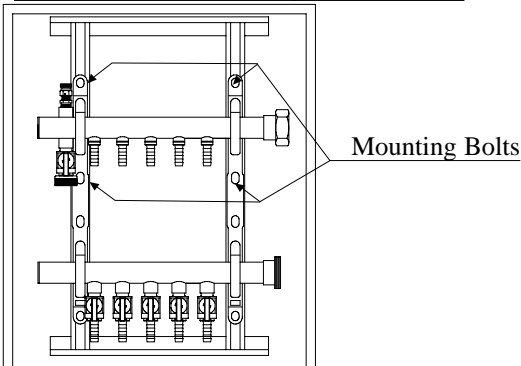
## Manifold Box Rough Openings

Box Size	Rough In Dim	Cover Dim
16"x28-1/2"x4-1/2" Box	16"W x 29"H x 4-1/4"D	17-3/8"Wx21-3/4"H
25"x28-1/2"x4-1/2" Box	25-3/4"W x 29"H x 4-1/4"D	27"Wx21-3/4"H
40"x28-1/2"x4-1/2" Box	40-3/4"W x 29"H x 4-1/4"D	42"Wx21-3/4"H

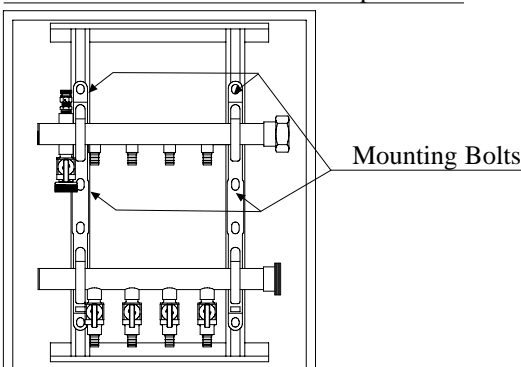
## Max Manifold Size per Manifold Box Size\*

	No V/P	with V/P	with V/P & BV
<b>Stainless Steel Manifolds</b>			
16"x29"x4-1/2" Box	M-4	M-4	M-3
25"x29"x4-1/2" Box	M-8	M-8	M-7
40"x29"x4-1/2" Box	M-12+M-2	M-12+M-2	M-14
<b>Cast Brass Manifolds</b>			
16"x29"x4-1/2" Box	M-7	M-6	N/A
25"x29"x4-1/2" Box	M-10	M-9	N/A
40"x29"x4-1/2" Box	M-18	M-17	N/A
<b>Onix Tubular Manifolds**</b>			
16"x29"x4-1/2" Box	M-6	M-5	N/A
25"x29"x4-1/2" Box	M-12	M-11	N/A
40"x29"x4-1/2" Box	M-21	M-20	N/A

## Onix Tubular Manifold Options



## RadiantPEX Tubular Manifold Options



## RadiantPEX Tubular Manifolds\*\*

16"x29"x4-1/2" Box	M-5	M-4	N/A
25"x29"x4-1/2" Box	M-9	M-8	N/A
40"x29"x4-1/2" Box	M-17	M-16	N/A

\* Manifolds are base sizes: 1" for Stainless and tubular; 1-1/4" for CazzBrass. Circuit count will vary for larger diameter base manifolds.

\*\* Includes Unions.

V/P = Vent-Purge Assembly.  
BV = Ball Valve Assembly.