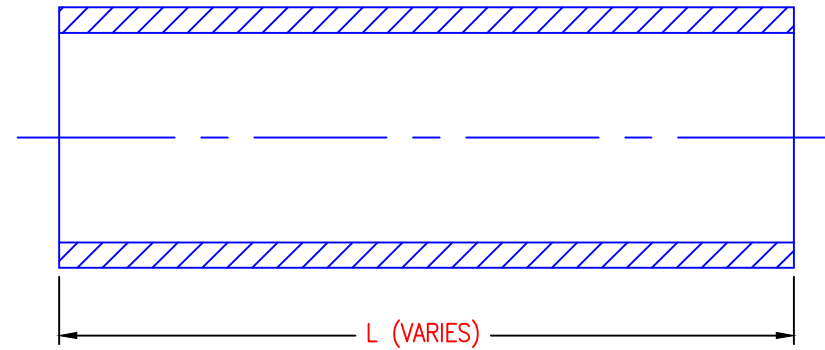
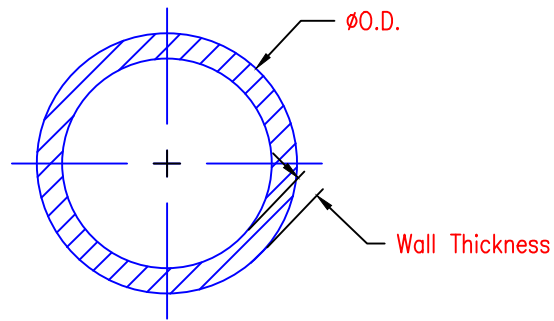


NO.	ALTERATIONS	DATE	BY	CHK'D



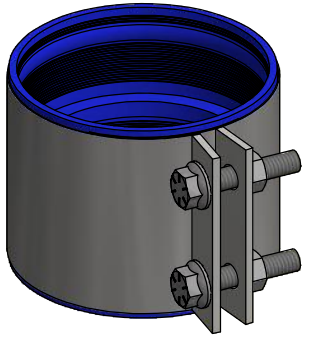
Schedule 40	Average OD	Wall Thickness
1 ½	1.900	0.145
2	2.375	0.154
3	3.500	0.216
4	4.500	0.237
6	6.625	0.280
8	8.625	0.322
10	10.750	0.365
12	12.750	0.406

Schedule 80	Average OD	Wall Thickness
1 ½	1.900	0.200
2	2.375	0.218
3	3.500	0.300
4	4.500	0.337
6	6.625	0.432
8	8.625	0.500
10	10.750	0.593
12	12.750	0.687

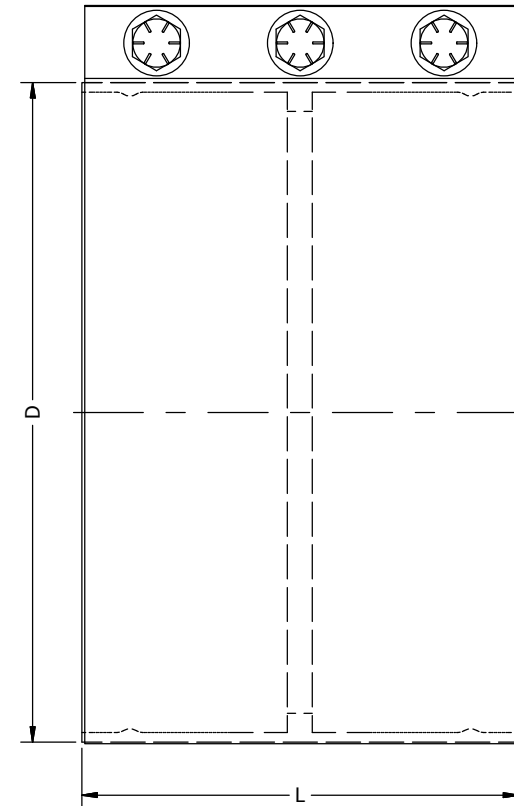
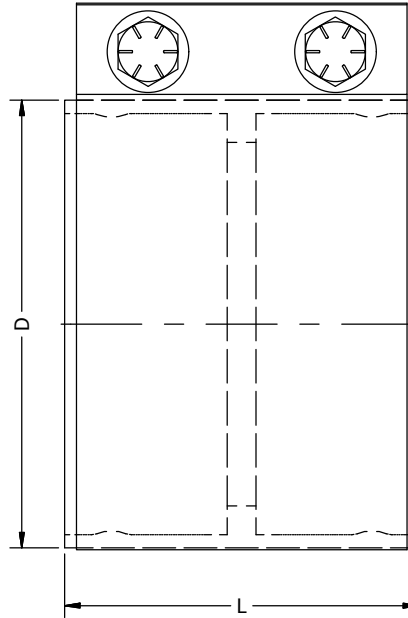
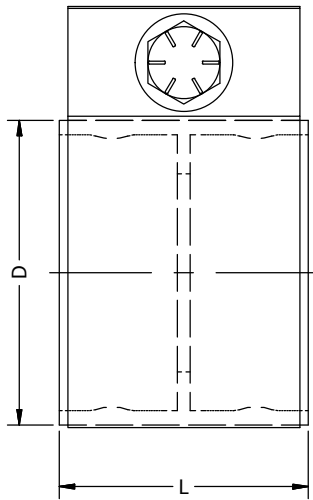
Large Diameter	Average OD	Wall Thickness
14	13.980	0.423
16	15.750	0.477
18	17.750	0.538

EDP. NO. -	DWG. NO.	REV 0
---------------	----------	----------

REF.		 BURLINGTON, ONTARIO, CANADA	PART NO. -				
ISSUED			TITLE PIPE (ACID WASTE PIPING SYSTEMS)				
SCALE	1 : 1						
PLOT	NTS						
PROD.							
LIMITS UNLESS SPECIFIED FRACTIONAL ± .015 DECIMAL/DIGIT ± .005 ANGULAR ± .5° DO NOT SCALE DRAWING		MATERIAL		BY	DRAWN	CHECKED	APPR'D
		FINISH ETC.		NAME	VASIM	-	B.GHALY
				DATE	18/1/16	-	18/1/16
				PRINTS BEFORE JAN 18, 2016 ARE VOID			



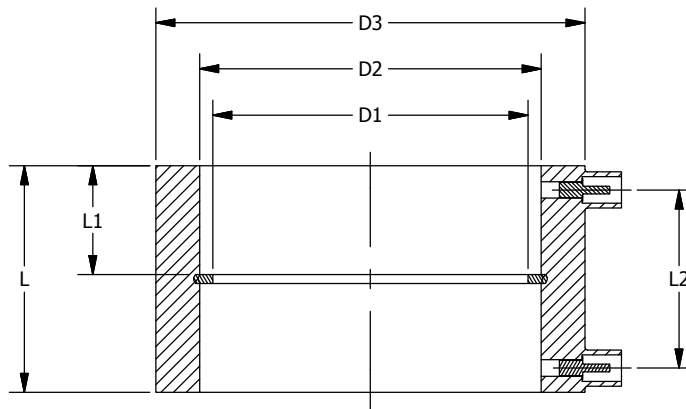
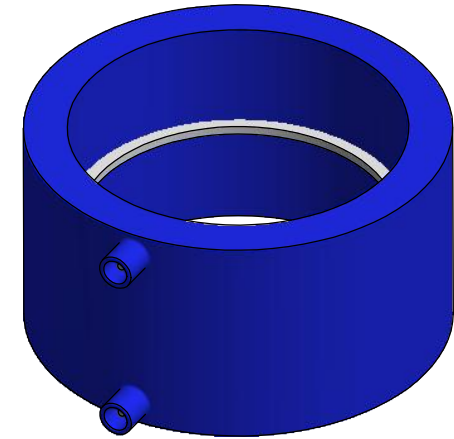
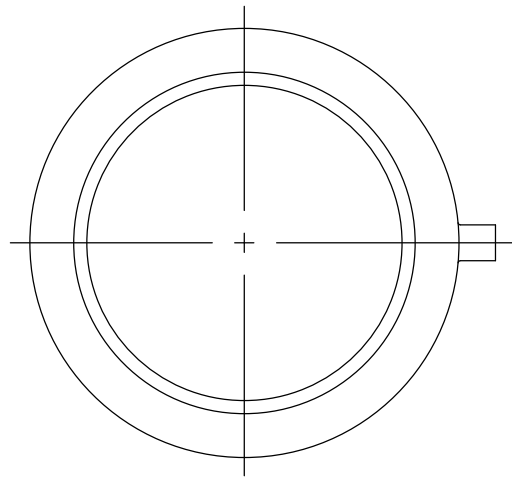
NO.	ALTERATIONS	DATE	BY	CHK'D




SIZE	D	L	QTY of BOLT
1 1/2	2.115	1.730	1
2	2.610	2.120	2
3	3.730	2.950	2
4	4.760	3.310	2
6	6.870	4.550	3

EDP. NO.	-	<b>WATTS</b> ORION FITTINGS <small>BURLINGTON, ONTARIO, CANADA      KANSAS CITY, KS 66115, USA</small>	PART NO.		
DWG. NO.	-		-		
REV	0	TITLE	NH BL COUPLINGS		
PLOT	NTS	MATERIAL	WEIGHT -		
SCALE	1:1	-	BY	DRAWN	APPRV'D
COLOR	-	-	NAME	J.YANG	
			DATE	11/14/18	
		MATERIAL -	PRINTS BEFORE <u>NOV 14, 2018</u> ARE VOID		

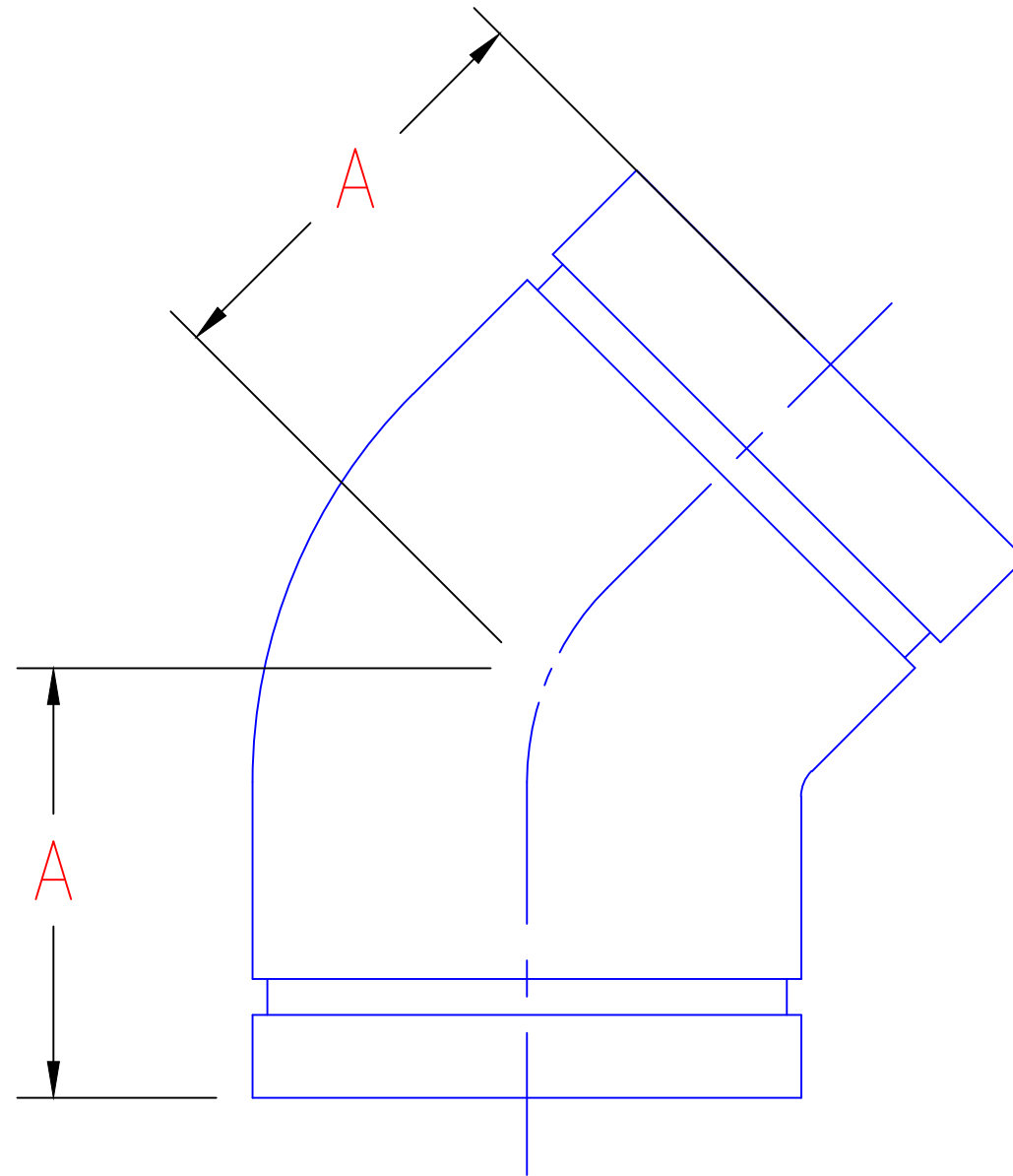
NO.	ALTERATIONS	DATE	BY	CHK'D



SIZE	L	L1	L2	D1	D2	D3
1 1/2	2.074	0.978	1.602	1.500	1.850	2.440
2	2.074	0.978	1.602	2.075	2.322	3.090
3	2.948	1.415	2.320	3.000	3.452	4.470
4	2.948	1.415	2.320	4.104	4.448	5.590
6	4.196	2.020	3.410	6.000	6.635	7.775


EDP. NO.	-	 <b>WATTS</b> BURLINGTON, ONTARIO, CANADA		<b>ORION FITTINGS</b> KANSAS CITY, KS 66115, USA		PART NO.	-
DWG. NO.	-	TITLE RFCF (RIONFUSE CLAMP FREE) COUPLINGS					
REV	0	MATERIAL			WEIGHT -		
PLOT	NTS	-			BY	DRAWN	APPRV'D
SCALE	1:1	-			NAME	J.YANG	B.GHALY
COLOR	-	-			DATE	11/19/18	11/19/18
MATERIAL -					PRINTS BEFORE <u>NOV 19, 2018</u> ARE VOID		

NO.	ALTERATIONS	DATE	BY	CHK'D

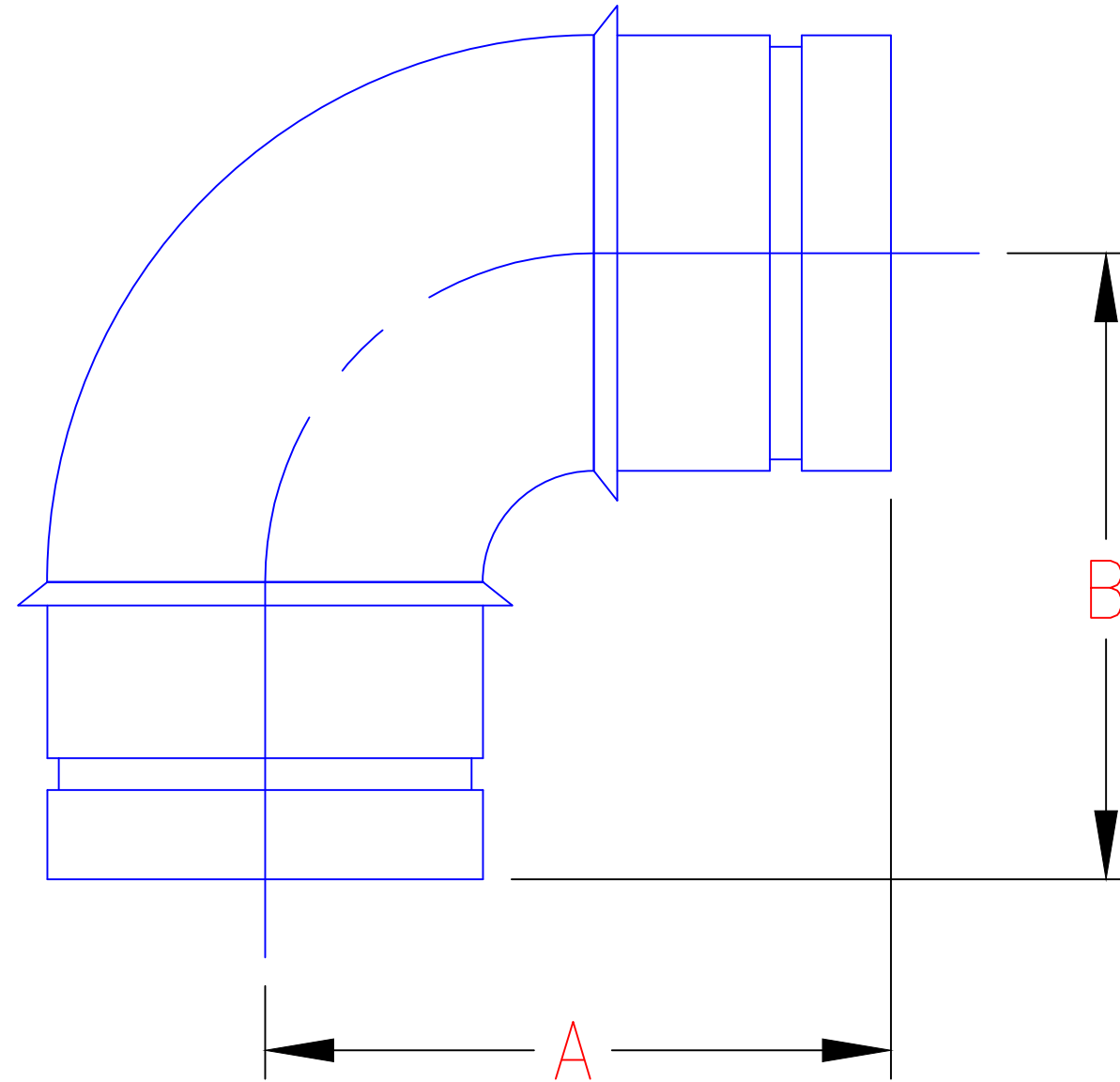


SIZE	A
1 1/2	1.50
2	1.56
3	2.37
4	2.78
6	4.75

EDP. NO.	DWG. NO.	REV
-		0


REF.		 BURLINGTON, ONTARIO, CANADA	PART NO.			
ISSUED			-			
SCALE	1 : 1		TITLE 45E-1/8 Bend			
PLOT	NTS					
PROD.		MATERIAL	BY	DRAWN	CHECKED	APPRV'D
<small>LIMITS UNLESS SPECIFIED            FRACTIONAL : .015            DECIMAL .XXX : .005            ANGULAR : .5'            DO NOT SCALE DRAWING</small>		FINISH ETC.	NAME	VASIM	-	B.GHALY
			DATE	13/1/16	-	13/1/16
			PRINTS BEFORE JAN 13, 2016 ARE VOID			

NO.	ALTERATIONS	DATE	BY	CHK'D

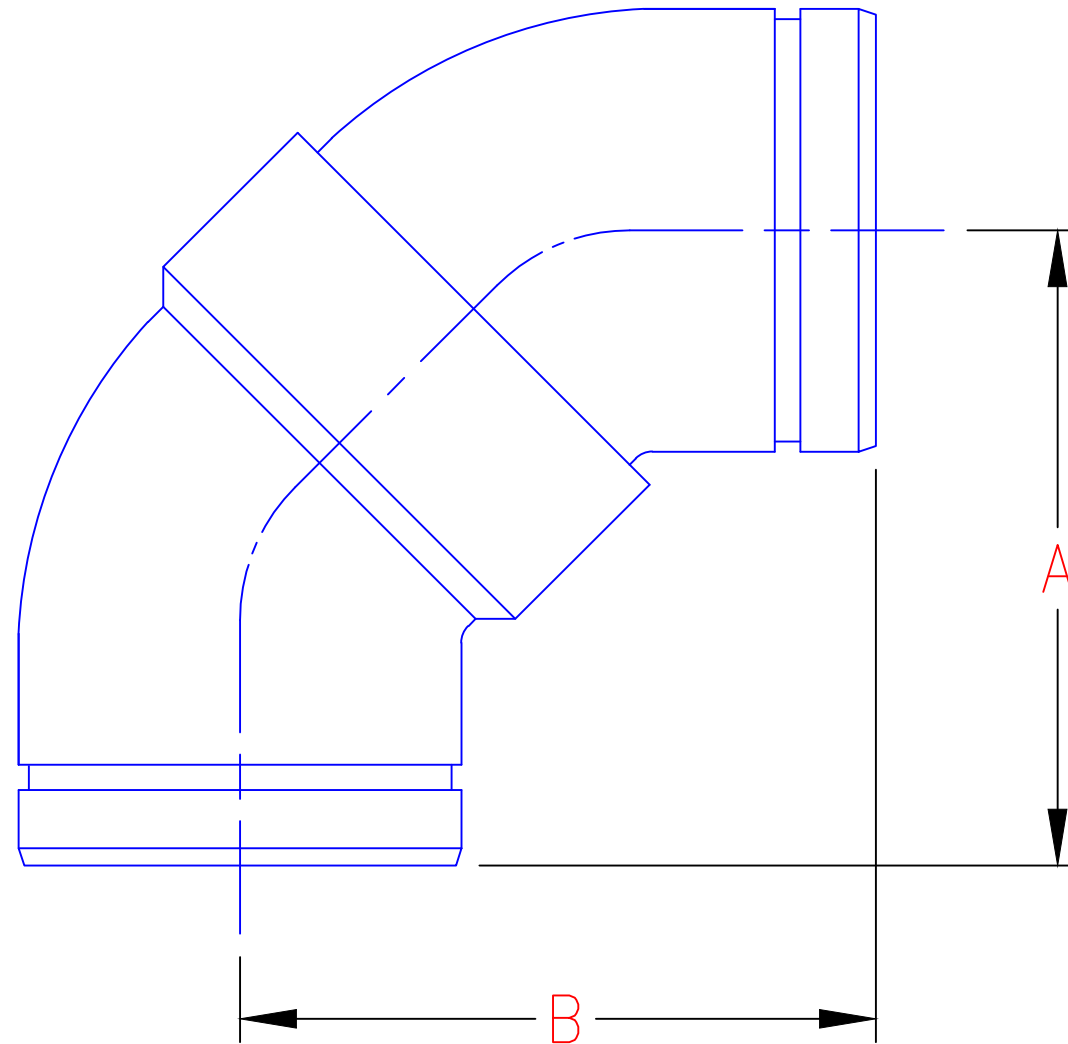


SIZE	A	B
1 1/2	2.56	2.56
2	3.41	3.41
3	4.53	4.53
4	5.25	5.25
6	7.31	9.91

EDP. NO.	DWG. NO.	REV
-		0


REF.		 BURLINGTON, ONTARIO, CANADA	PART NO.				
ISSUED			-				
SCALE	1 : 1	TITLE 90E-114 Bend					
PLOT	NTS						
PROD.		MATERIAL		BY	DRAWN	CHECKED	APPR'D
<small>LIMITS UNLESS SPECIFIED            FRACTIONAL : .015            DECIMAL .XXX : .005            ANGULAR : .5'            DO NOT SCALE DRAWING</small>		FINISH ETC.		NAME	VASIM	-	B.GHALY
				DATE	13/1/16	-	13/1/16
		PRINTS BEFORE JAN 13, 2016 ARE VOID					

NO.	ALTERATIONS	DATE	BY	CHK'D

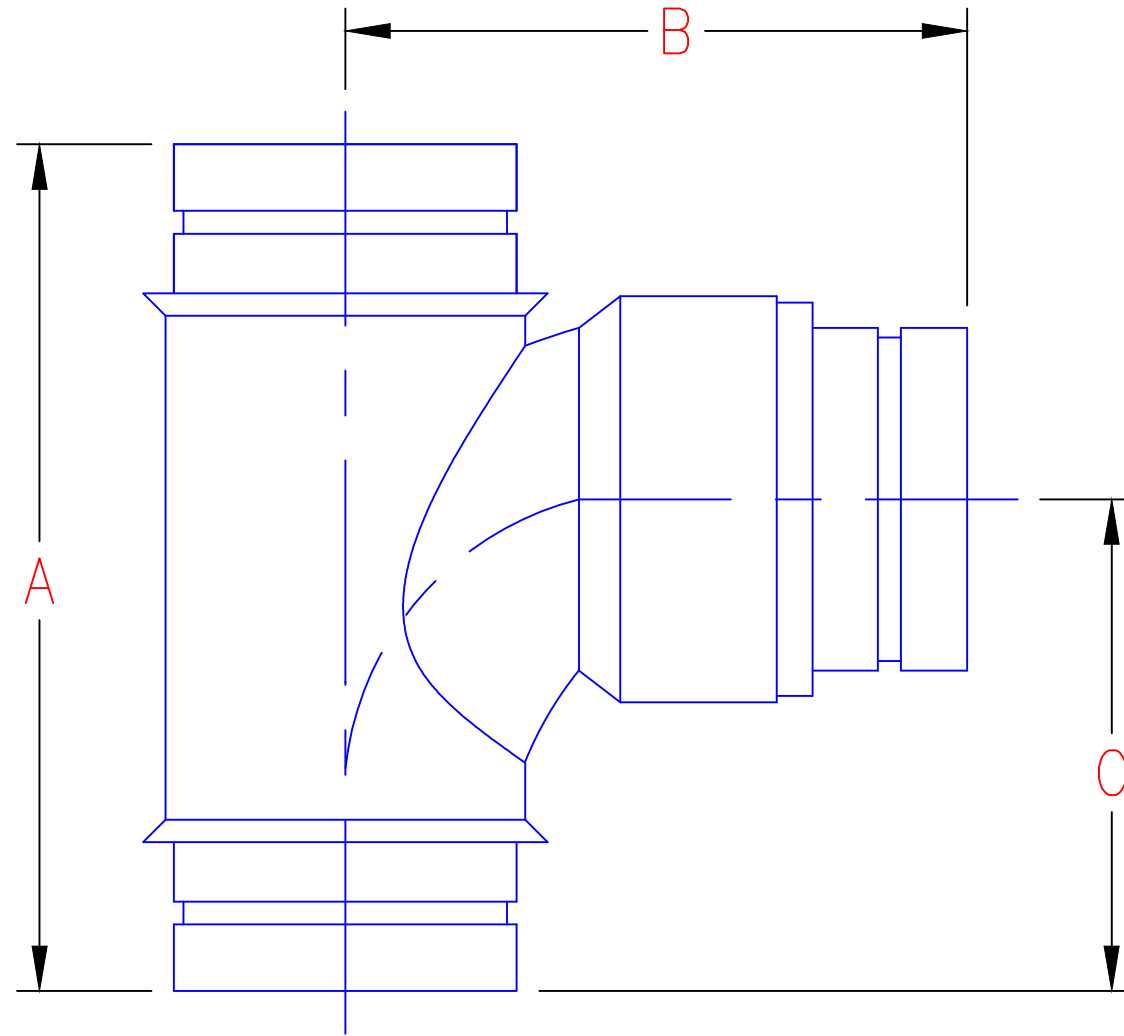


SIZE	A	B
1 1/2	3.07	3.09
2	3.23	3.23
3	5.12	4.90
4	6.16	5.91
6	8.61	8.56

EDP. NO.	DWG. NO.	REV
-	-	0


REF.		 BURLINGTON, ONTARIO, CANADA	PART NO.			
ISSUED			-			
SCALE	1 : 1		TITLE 90E-Long Sweep			
PLOT	NTS					
PROD.						
LIMITS UNLESS SPECIFIED FRACTIONAL : .015 DECIMAL .XXX : .005 ANGULAR : .5° DO NOT SCALE DRAWING		MATERIAL	BY	DRAWN	CHECKED	APPR'VD
		FINISH ETC.	NAME	VASIM	-	B.GHALY
			DATE	14/1/16	-	14/1/16
PRINTS BEFORE JAN 14, 2016 ARE VOID						

NO.	ALTERATIONS	DATE	BY	CHK'D

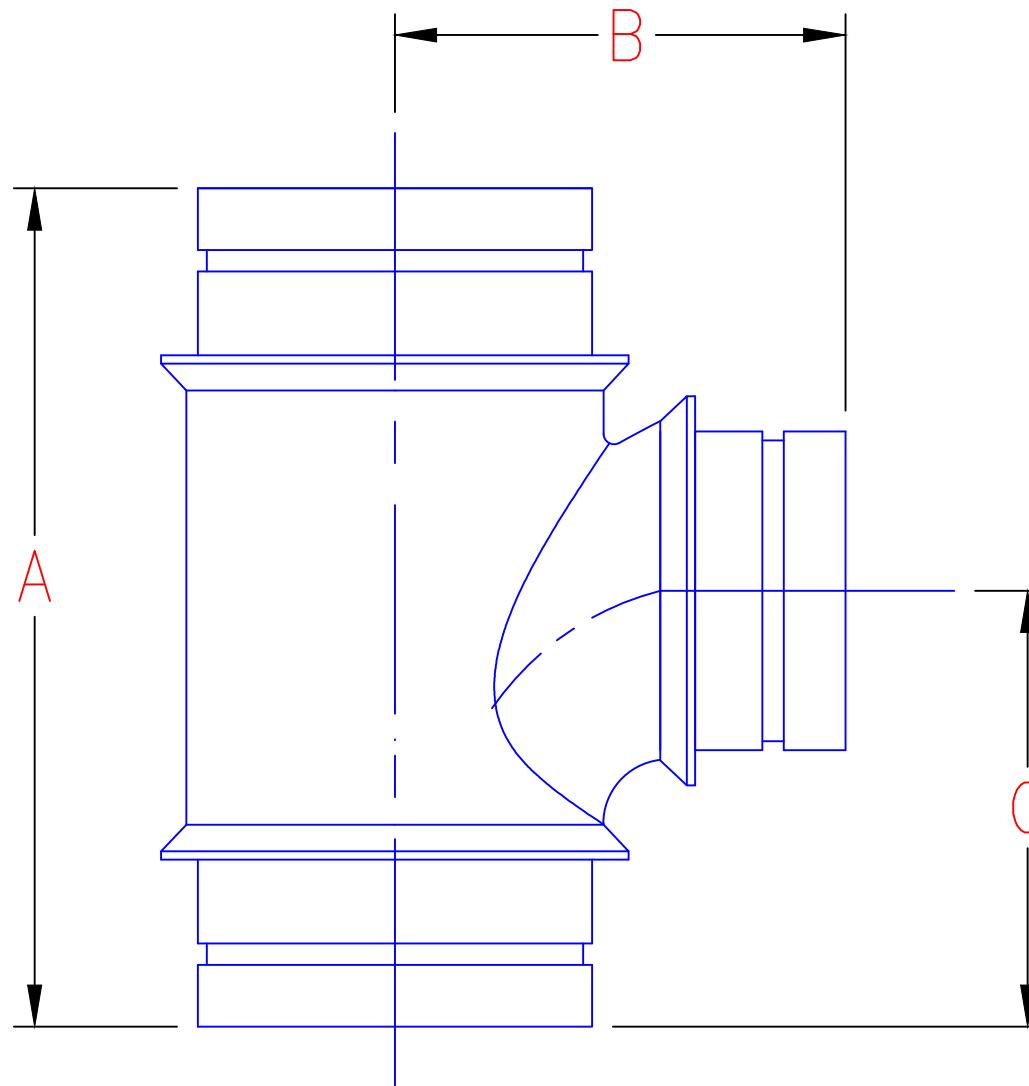


SIZE	A	B	C
1 1/2	4.75	3.32	2.46
2	5.53	4.19	2.87
3	7.61	5.97	4.00
4	10.13	7.00	5.56

EDP. NO. -	DWG. NO.	REV 0
---------------	----------	----------


REF.		 BURLINGTON, ONTARIO, CANADA				PART NO. -			
ISSUED									
SCALE	1 : 1	TITLE 90T - Sanitary Tee							
PLOT	NTS								
PROD.		MATERIAL							
<small>LIMITS UNLESS SPECIFIED          FRACTIONAL : .015          DECIMAL .XXX : .005          ANGULAR : .5°          DO NOT SCALE DRAWING</small>		FINISH ETC.							
		BY NAME	DRAWN VASIM	CHECKED -	APPR'D B.GHALY	DATE 13/1/16			
						PRINTS BEFORE JAN 13, 2016 ARE VOID			

NO.	ALTERATIONS	DATE	BY	CHK'D



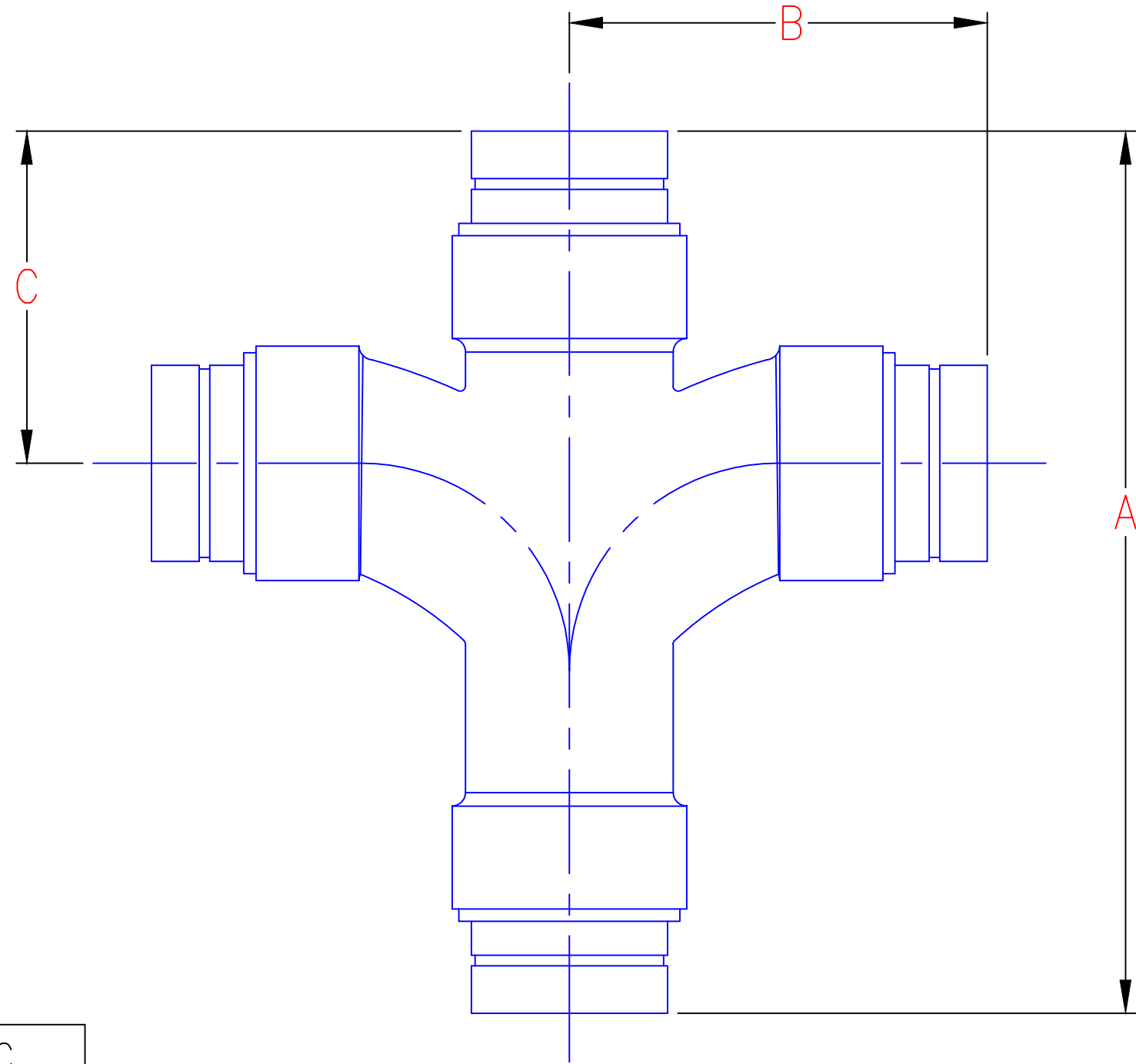
SIZE	A	B	C
2X1 1/2	4.93	2.72	2.56
3X1 1/2	6.69	3.38	3.42
3X2	6.68	3.63	3.50
4X1 1/2	10.06	8.19	5.63
4X2	10.19	6.49	5.72
4X3	10.19	6.84	5.72

EDP. NO. -	DWG. NO. -	REV 0
---------------	---------------	----------

REF.		 BURLINGTON, ONTARIO, CANADA	PART NO. -			
ISSUED			TITLE R90T-Sanitary Tee			
SCALE	1 : 1	MATERIAL				
PLOT	NTS					
PROD.		FINISH ETC.				
<small>LIMITS UNLESS SPECIFIED          FRACTIONAL : .015          DECIMAL .XXX : .005          ANGULAR : .5°          DO NOT SCALE DRAWING</small>						
		BY	DRAWN	CHECKED	APPR'VD	
		NAME	VASIM	-	B.GHALY	
		DATE	15/1/15	-	15/1/16	
PRINTS BEFORE JAN 15, 2016 ARE VOID						




NO.	ALTERATIONS	DATE	BY	CHK'D

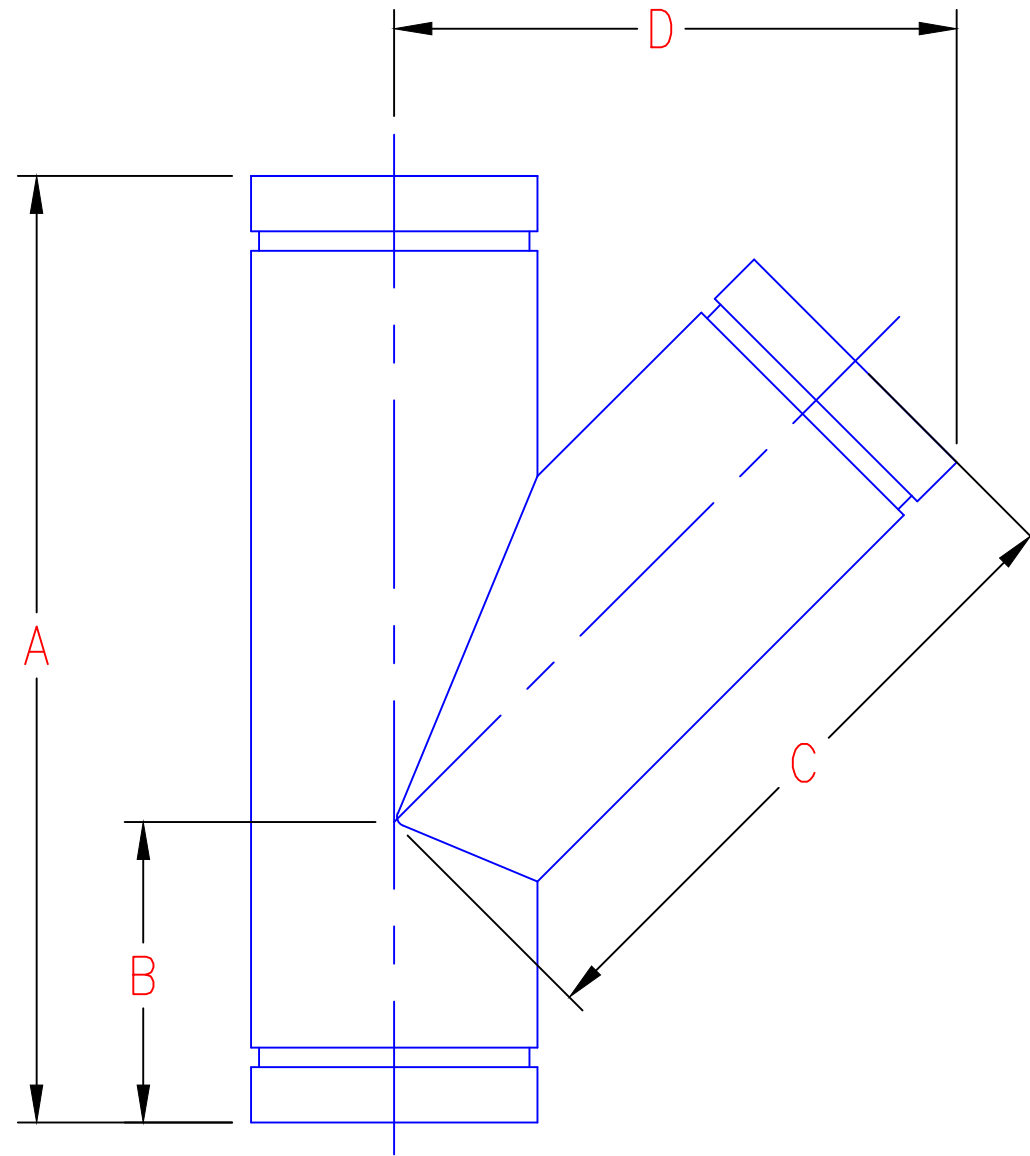


SIZE	A	B	C
1 1/2	10.08	4.88	3.72
2	10.57	5.13	4.00
3	10.92	5.94	5.00
4	13.17	6.97	6.00

EDP. NO. -	DWG. NO. -	REV 0
---------------	---------------	----------


REF.		 BURLINGTON, ONTARIO, CANADA	PART NO. -			
ISSUED			TITLE DOUBLE SAN CROSS TEE			
SCALE	1 : 1		MATERIAL -			
PLOT	NTS		BY	DRAWN	CHECKED	APPR'VD
PROD.			NAME	VASIM	-	B.GHALY
LIMITS UNLESS SPECIFIED FRACTIONAL : .015 DECIMAL .XXX : .005 ANGULAR : .5° DO NOT SCALE DRAWING			DATE	14/1/16	-	14/1/16
			FINISH ETC. -			
PRINTS BEFORE JAN 14, 2016 ARE VOID						

NO.	ALTERATIONS	DATE	BY	CHK'D

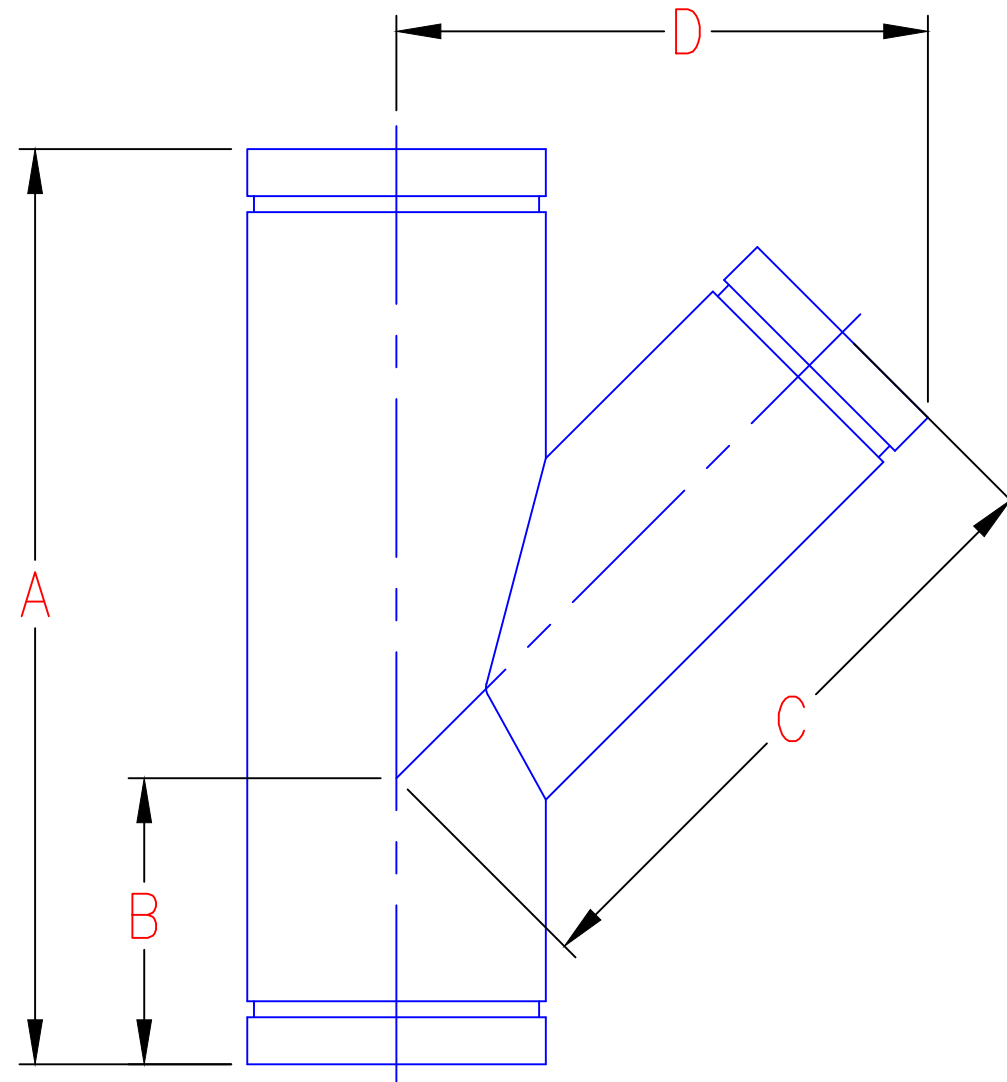


SIZE	A	B	C	D
1 1/2	6.38	2.00	4.38	3.77
2	7.25	2.22	5.06	4.37
3	9.25	2.63	7.13	6.26
4	11.06	3.25	8.56	7.60
6	19.41	6.14	12.34	10.27

EDP. NO. -	DWG. NO.	REV 0
---------------	----------	----------


REF.		 BURLINGTON, ONTARIO, CANADA	PART NO.				
ISSUED			TITLE 45Y-Single Wye				
SCALE	1 : 1						
PLOT	NTS						
PROD.		MATERIAL		BY	DRAWN	CHECKED	APPR'VD
<small>LIMITS UNLESS SPECIFIED          FRACTIONAL : .015          DECIMAL .XXX : .005          ANGULAR : .5°          DO NOT SCALE DRAWING</small>		FINISH ETC.		NAME	VASIM		B.GHALY
				DATE	13/1/16		13/1/16
		PRINTS BEFORE JAN 13, 2016 ARE VOID					

NO.	ALTERATIONS	DATE	BY	CHK'D

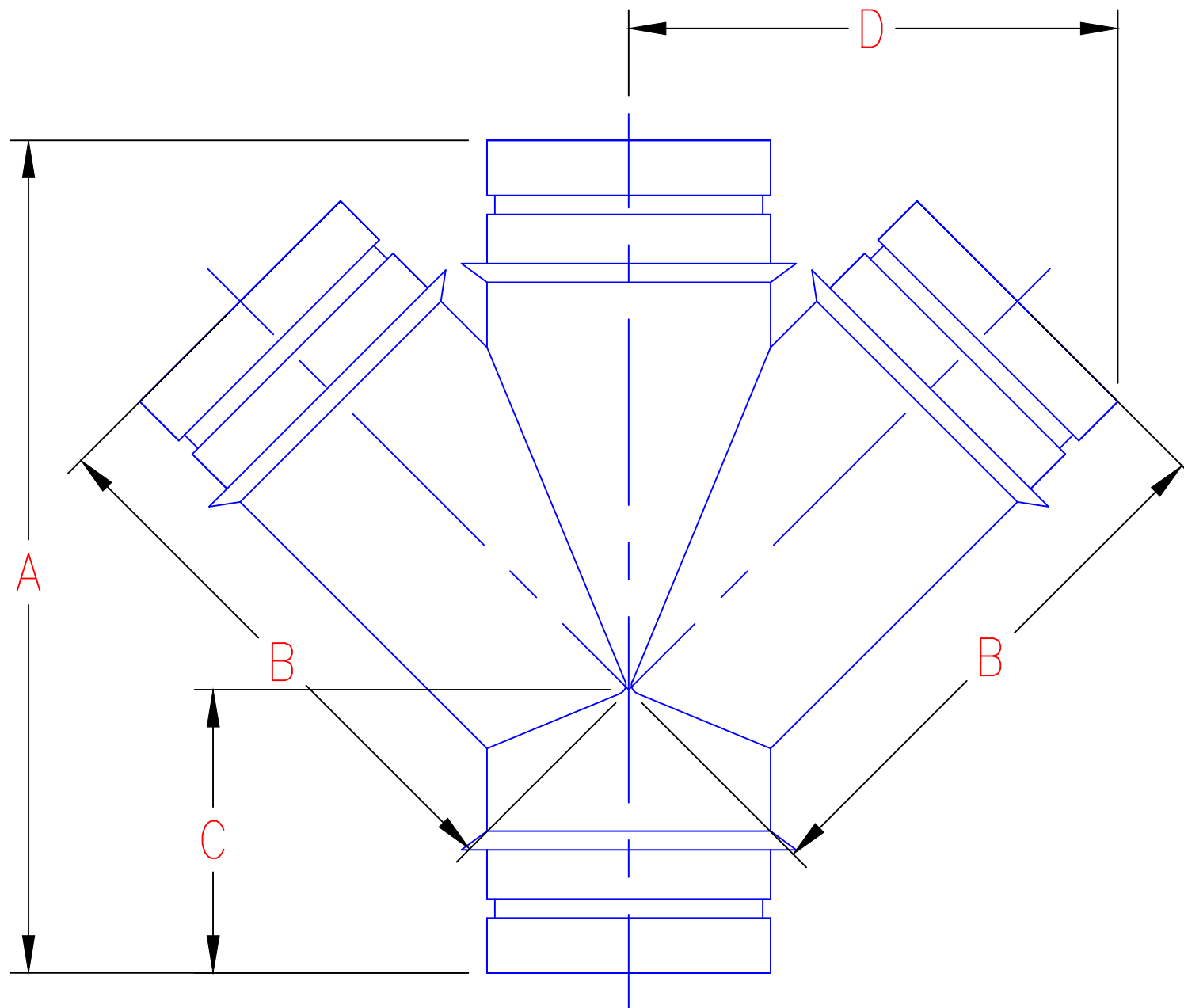


SIZE	A	B	C	D
2X1 1/2	7.25	2.25	5.00	4.19
3X 1 1/2	7.30	2.04	5.34	4.42
3X2	8.06	2.40	5.96	5.03
4X1 1/2	8.56	2.13	8.87	6.92
4X2	8.56	2.13	6.77	5.63
4X3	10.13	2.80	7.54	6.55
6X2	19.46	6.22	12.31	9.52
6X3	19.46	6.22	12.74	10.20
6X4	19.40	6.37	12.50	10.41

EDP. NO.	DWG. NO.	REV
-	-	0


REF.		 BURLINGTON, ONTARIO, CANADA	PART NO.				
ISSUED			-				
SCALE	1 : 1	TITLE R45Y-Reducing Single Wye					
PLOT	NTS	-					
PROD.		MATERIAL		BY	DRAWN	CHECKED	APPR'VD
<small>LIMITS UNLESS SPECIFIED            FRACTIONAL : .015            DECIMAL : .005            ANGULAR : .5'            DO NOT SCALE DRAWING</small>		FINISH ETC.		NAME	VASIM	-	B.GHALY
				DATE	15/1/16	-	15/1/16
		PRINTS BEFORE JAN 15, 2016 ARE VOID					

NO.	ALTERATIONS	DATE	BY	CHK'D

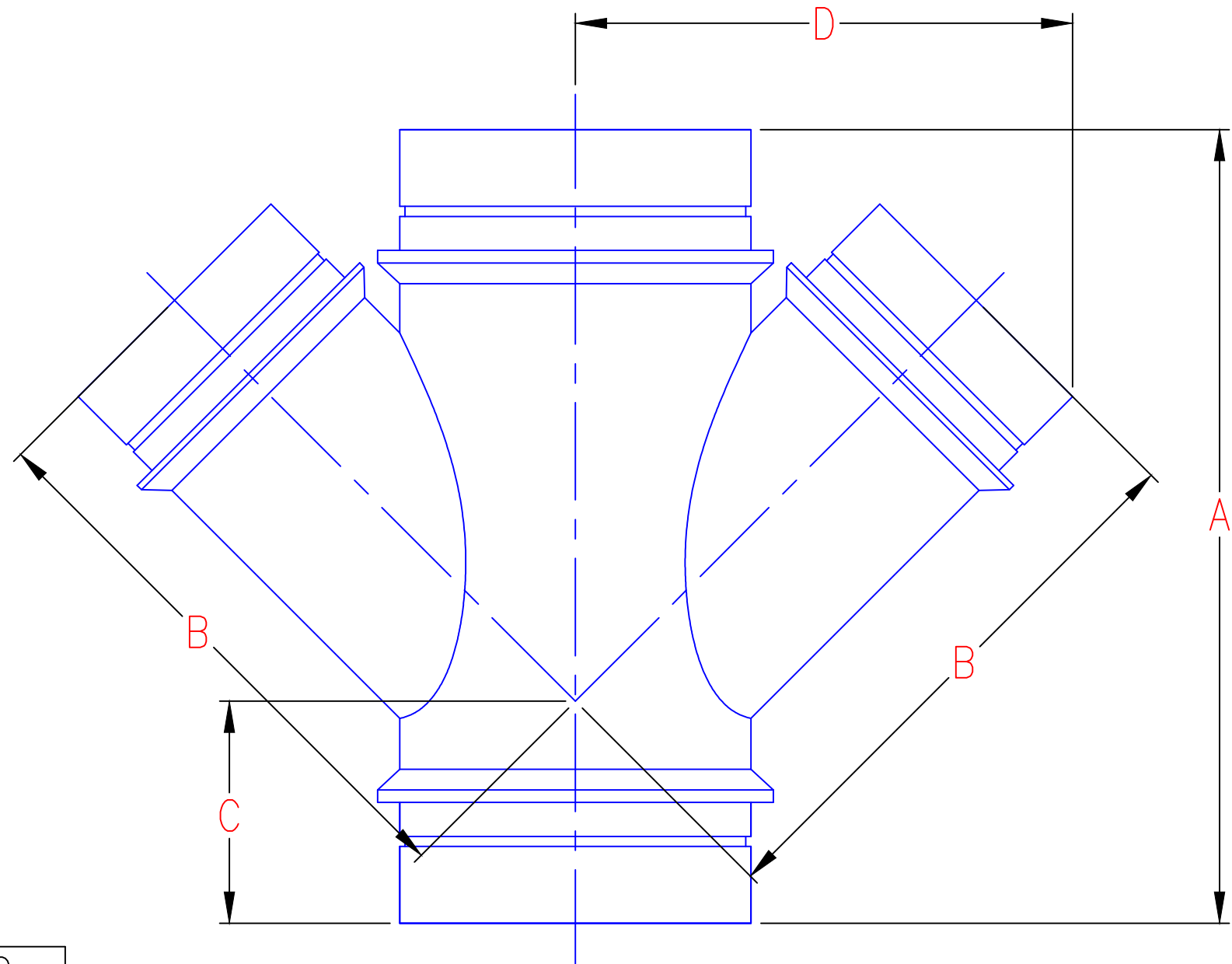


SIZE	A	B	C	D
1 1/2	6.37	4.13	2.25	3.57
2	8.27	5.33	2.95	4.55
3	8.75	6.48	2.27	5.77
4	11.63	7.91	3.53	7.14
6	19.52	11.29	6.37	10.16

EDP. NO.	DWG. NO.	REV
-	-	0


REF.		 BURLINGTON, ONTARIO, CANADA	PART NO.			
ISSUED			-			
SCALE	1 : 1	TITLE D45Y-Double Wye				
PLOT	NTS	MATERIAL				
PROD.		FINISH ETC.				
<small>LIMITS UNLESS SPECIFIED          FRACTIONAL : .015          DECIMAL : .005          ANGULAR : .5'          DO NOT SCALE DRAWING</small>		BY	DRAWN	CHECKED	APPR'D	
		NAME	VASIM	-	B.GHALY	
		DATE	14/1/16	-	14/1/16	
		PRINTS BEFORE JAN 14, 2016 ARE VOID				

NO.	ALTERATIONS	DATE	BY	CHK'D

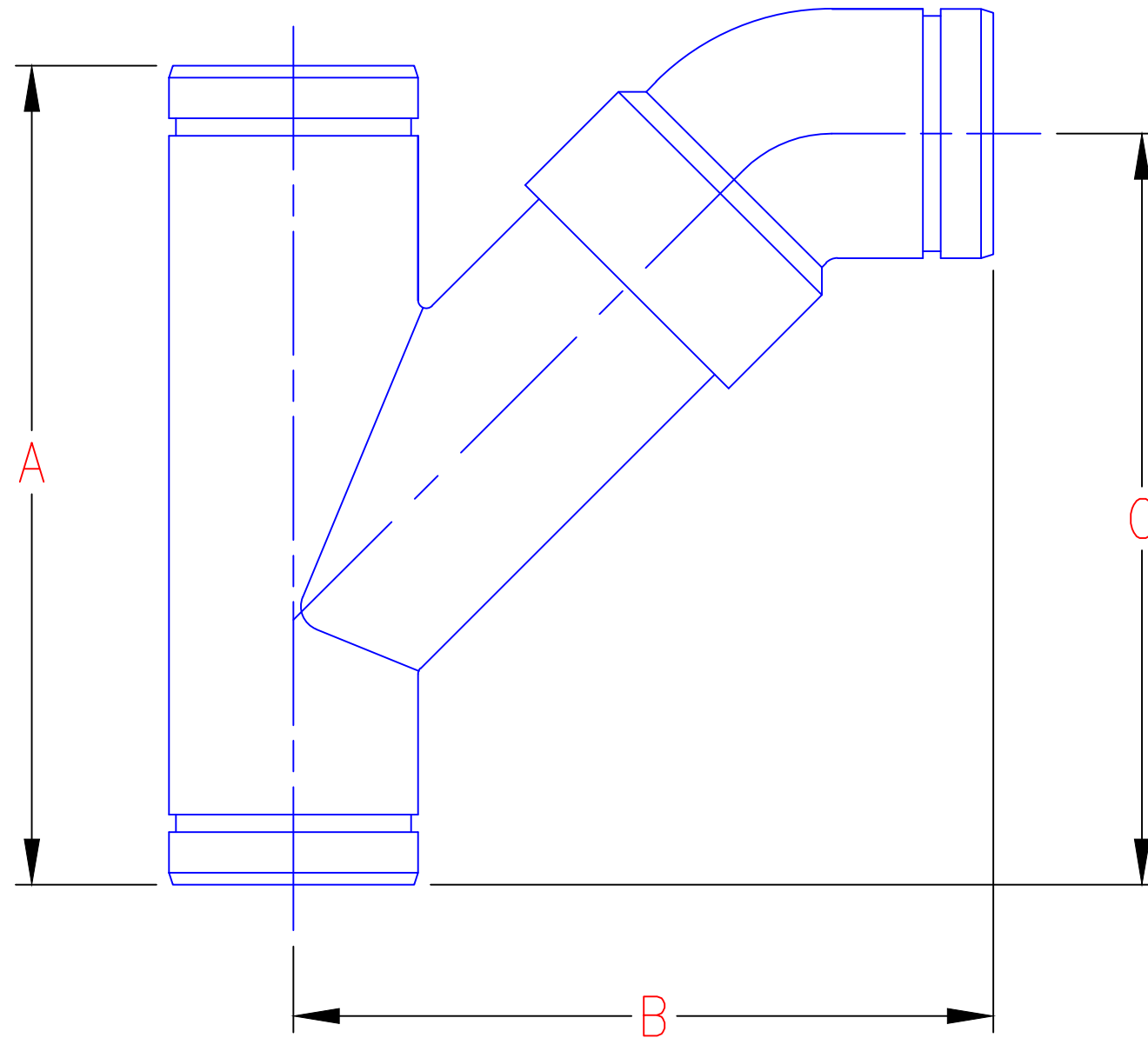


SIZE	A	B	C	D
2X1 1/2	8.27	5.28	2.95	4.39
3X1 1/2	6.29	5.48	1.33	4.50
3X2	8.80	6.21	2.30	5.19
4X1 1/2	8.25	7.59	1.94	6.02
4X2	8.25	7.80	1.94	6.30
4X3	10.25	7.23	2.95	6.35
6X2	19.46	12.31	6.22	9.52
6X3	19.46	12.84	6.22	10.27
6X4	19.40	12.50	6.37	10.41

EDP. NO. -	DWG. NO. -	REV 0
---------------	---------------	----------


REF.		 BURLINGTON, ONTARIO, CANADA	PART NO. -				
ISSUED			TITLE RD45Y-Reducing Double Wye				
SCALE	1 : 1						
PLOT	NTS						
PROD.		MATERIAL		BY	DRAWN	CHECKED	APPR'VD
LIMITS UNLESS SPECIFIED FRACTIONAL : .015 DECIMAL .XXX : .005 ANGULAR : .5° DO NOT SCALE DRAWING		FINISH ETC.		NAME	VASIM	-	B.GHALY
				DATE	15/1/16	-	15/1/16
PRINTS BEFORE JAN 15, 2016 ARE VOID							

NO.	ALTERATIONS	DATE	BY	CHK'D

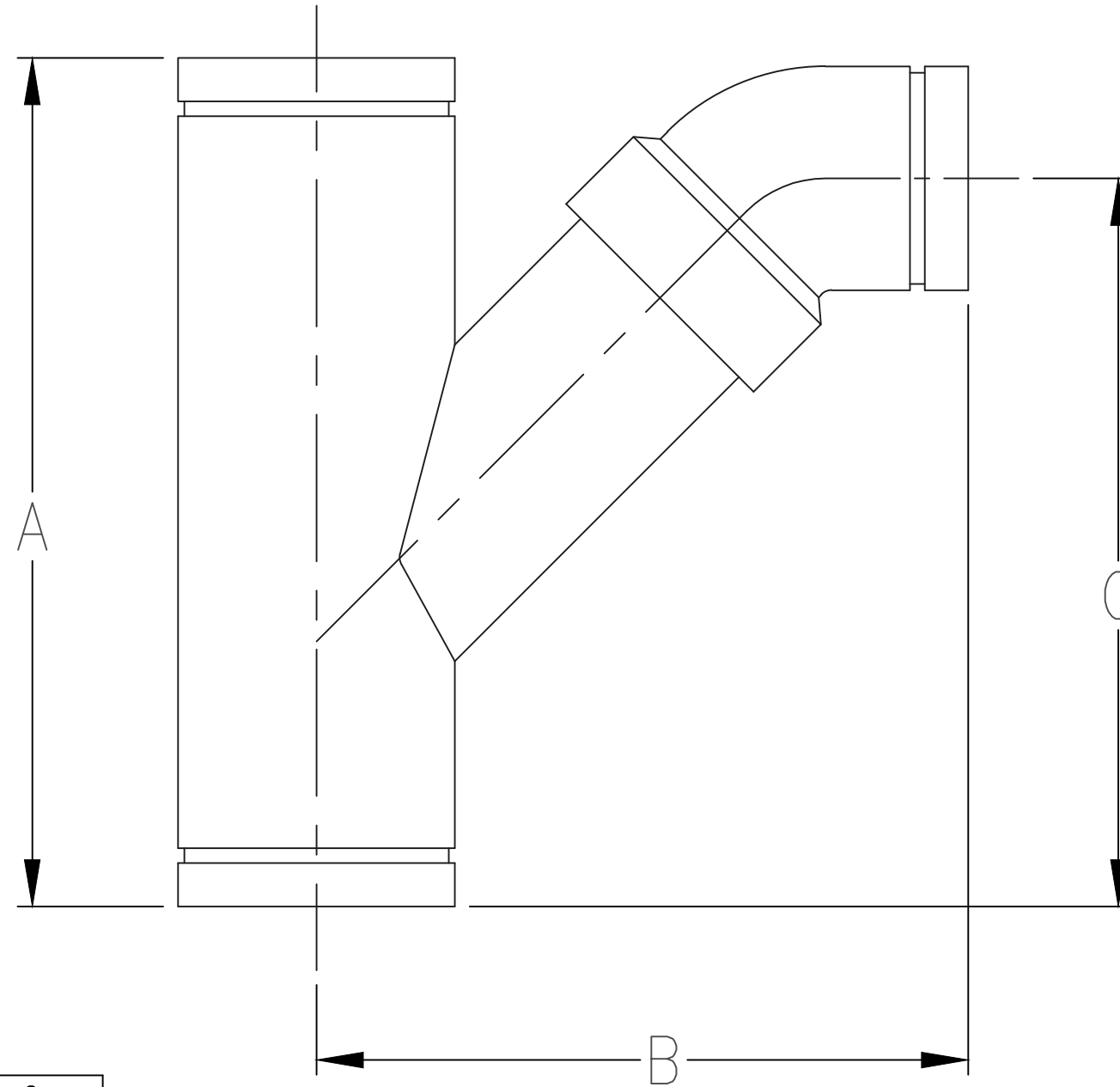


SIZE	A	B	C
1 1/2	6.38	5.06	5.58
2	7.25	5.75	6.40
3	9.13	8.48	8.52
4	11.06	10.08	10.30
6	19.86	13.27	15.79

EDP. NO.	DWG. NO.	REV
-	-	0


REF.		 BURLINGTON, ONTARIO, CANADA	PART NO.				
ISSUED			-				
SCALE	1 : 1	TITLE					
PLOT	NTS	LTY-Long Turn Wye					
PROD.		MATERIAL		BY	DRAWN	CHECKED	APPR'VD
LIMITS UNLESS SPECIFIED FRACTIONAL : .015 DECIMAL .XXX : .005 ANGULAR : .5° DO NOT SCALE DRAWING		FINISH ETC.		NAME	VASIM	-	B.GHALY
				DATE	13/1/16	-	13/1/16
PRINTS BEFORE JAN 14, 2016 ARE VOID							

NO.	ALTERATIONS	DATE	BY	CHK'D

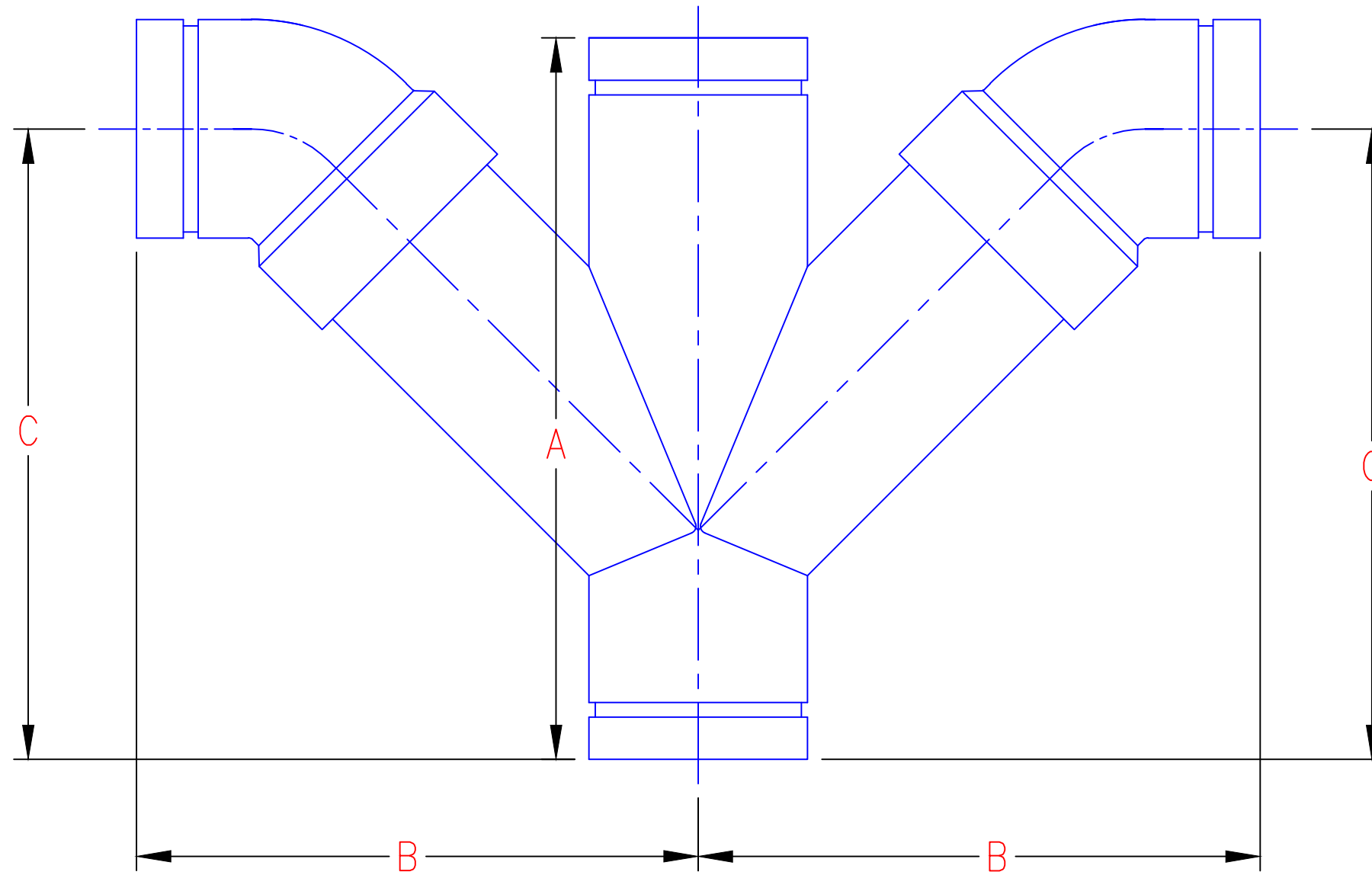


SIZE	A	B	C
2X1 1/2	7.25	5.64	6.41
3X 1 1/2	7.30	5.78	6.34
3X2	8.09	6.33	7.16
4X1 1/2	8.56	7.48	8.25
4X2	8.56	6.97	7.53
4X3	10.13	8.76	8.97
6X2	10.46	10.73	15.38
6X3	19.45	10.95	14.80
6X4	19.39	11.40	14.99

EDP. NO. -	DWG. NO. -	REV 0
---------------	---------------	----------


REF.		 BURLINGTON, ONTARIO, CANADA	PART NO. -			
ISSUED			TITLE RLTY-Reducing Long Turn Wye			
SCALE	1 : 1	MATERIAL				
PLOT	NTS					
PROD.		FINISH ETC.				
<small>LIMITS UNLESS SPECIFIED          FRACTIONAL : .015          DECIMAL : .005          ANGULAR : .5°          DO NOT SCALE DRAWING</small>						
		BY	DRAWN	CHECKED	APPR'D	
		NAME	VASIM	-	B.GHALY	
		DATE	13/1/16	-	13/1/16	
PRINTS BEFORE JAN 13, 2016 ARE VOID						

NO.	ALTERATIONS	DATE	BY	CHK'D



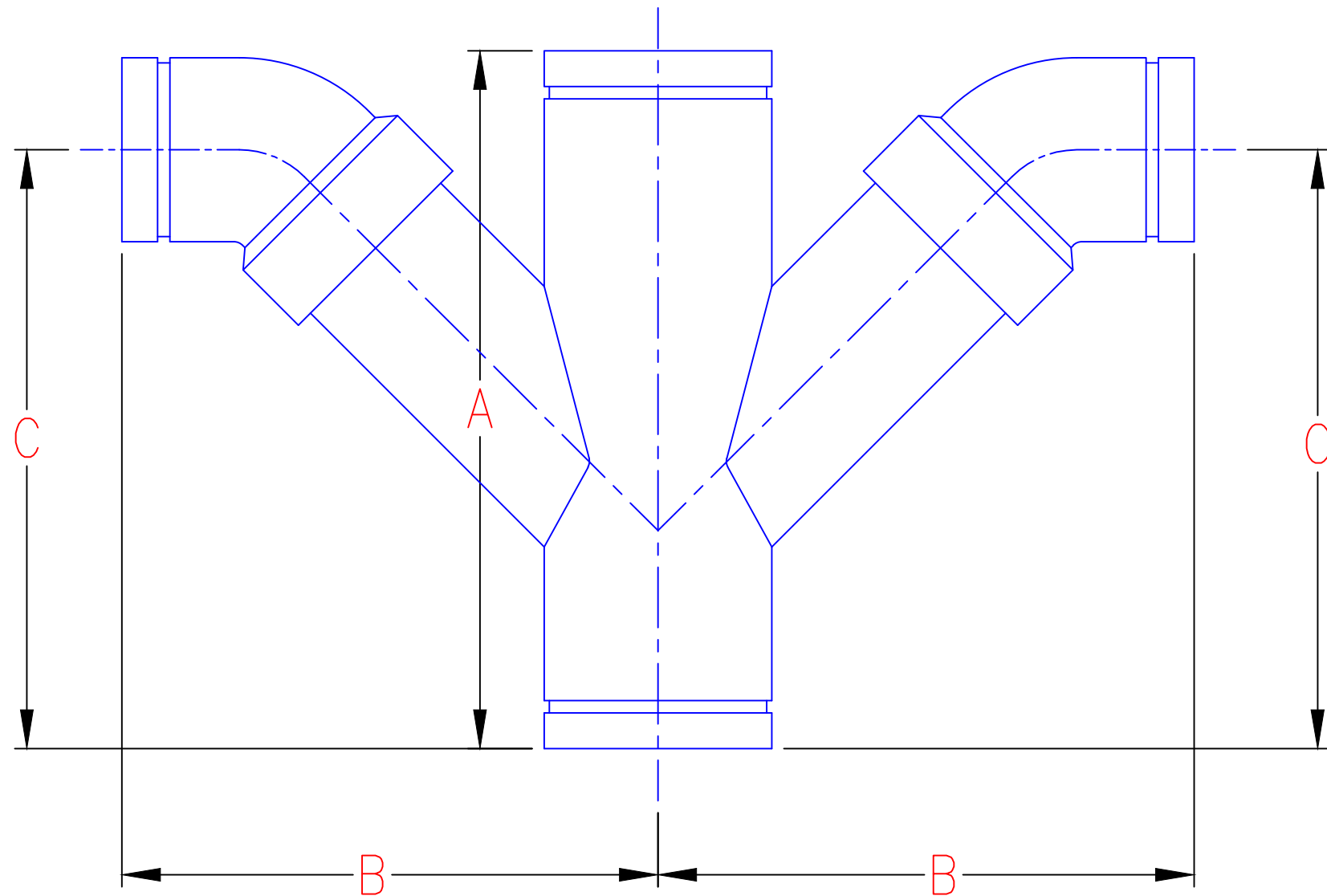
SIZE	A	B	C
1 1/2	6.43	4.33	5.11
2	8.27	4.94	6.30
3	8.75	8.05	7.73
4	11.63	9.70	10.20
6	19.52	13.87	16.00

EDP. NO. -	DWG. NO. -	REV 0
PART NO. -		

REF.		 BURLINGTON, ONTARIO, CANADA		PART NO. -	
ISSUED					
SCALE	1 : 1	TITLE DLTY-Double Long Turn Wye			
PLOT	NTS				
PROD.		MATERIAL		BY	DRAWN
LIMITS UNLESS SPECIFIED FRACTIONAL ± .015 DECIMAL .XXX ± .005 ANGULAR ± .5° DO NOT SCALE DRAWING		FINISH ETC.		NAME	VASIM
				DATE	14/1/16
				CHECKED	-
				APPR'D	B.GHALY
PRINTS BEFORE JAN 14, 2016 ARE VOID					




NO.	ALTERATIONS	DATE	BY	CHK'D

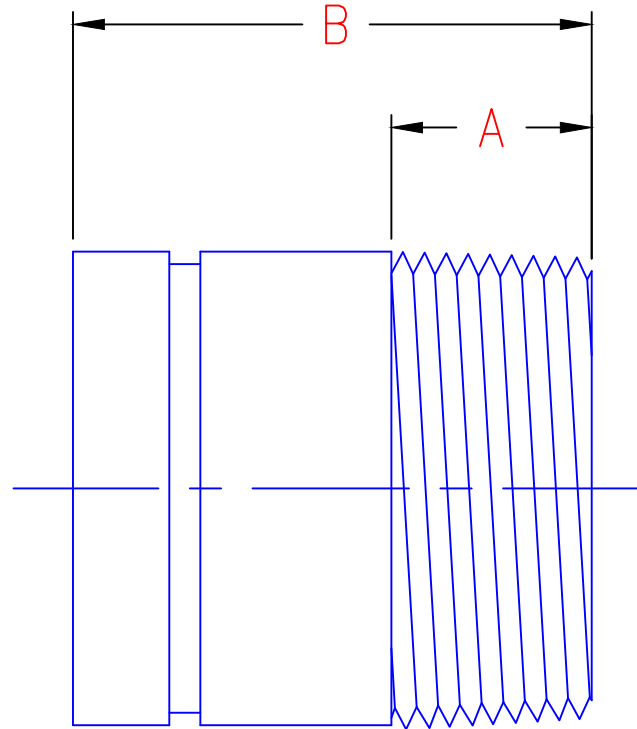


SIZE	A	B	C
2X1 1/2	8.27	5.60	7.07
3X 1 1/2	6.28	5.90	5.75
3X2	8.80	6.49	7.22
4X1 1/2	8.25	7.28	7.88
4X2	8.25	6.65	7.04
4X3	10.25	8.50	8.86
6X2	19.46	10.88	15.53
6X3	19.46	10.96	14.80
6X4	19.40	11.41	15.00

EDP. NO. -	DWG. NO. -	REV 0
---------------	---------------	----------


REF.		 BURLINGTON, ONTARIO, CANADA	PART NO. -						
ISSUED			TITLE RDLY-Reducing Double Long Turn Wye						
SCALE	1 : 1		MATERIAL						
PLOT	NTS		FINISH ETC.						
PROD.		BY NAME		DRAWN VASIM		CHECKED -		APPRV'D B.GHALY	
<small>LIMITS UNLESS SPECIFIED          FRACTIONAL : .015          DECIMAL : .005          ANGULAR : .5°          DO NOT SCALE DRAWING</small>		DATE		15/1/16		-		15/1/16	
		PRINTS BEFORE JAN 15, 2016 ARE VOID							

NO.	ALTERATIONS	DATE	BY	CHK'D

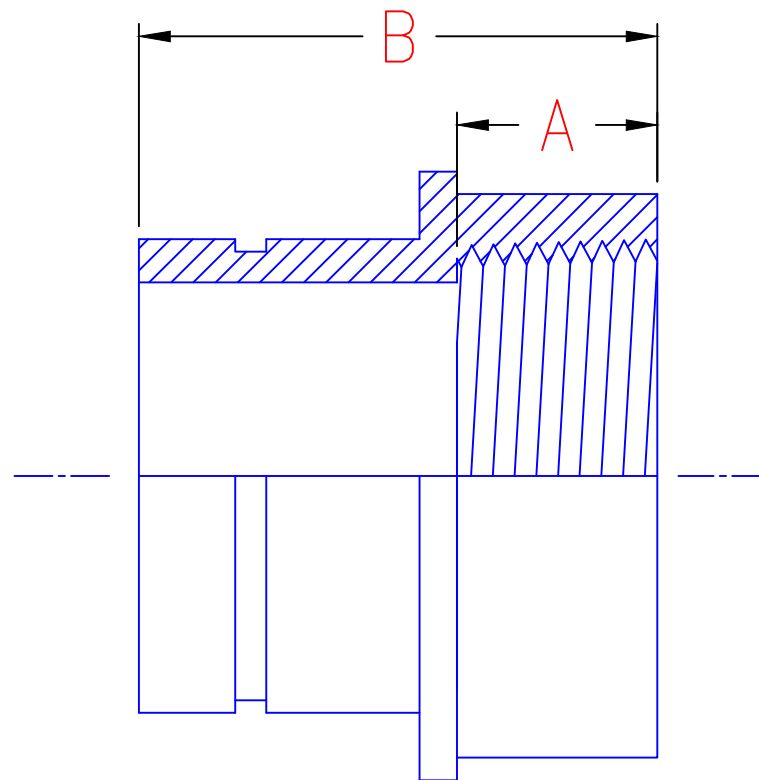


SIZE	A	B
1 1/2	0.80	2.13
2	0.80	2.08
3	1.26	3.00
4	1.45	3.00
6	1.99	4.36

EDP. NO.	DWG. NO.	REV
-	-	0


REF.		 BURLINGTON, ONTARIO, CANADA	PART NO.			
ISSUED			-			
SCALE	1 : 1	TITLE MA-Male Adapter				
PLOT	NTS	-				
PROD.		MATERIAL	BY	DRAWN	CHECKED	APPR'D
<small>LIMITS UNLESS SPECIFIED            FRACTIONAL : .015            DECIMAL .XXX : .005            ANGULAR : .5'            DO NOT SCALE DRAWING</small>		FINISH ETC.	NAME	VASIM		B.GHALY
			DATE	14/1/16	-	14/1/16
			PRINTS BEFORE JAN 14, 2016 ARE VOID			

NO.	ALTERATIONS	DATE	BY	CHK'D

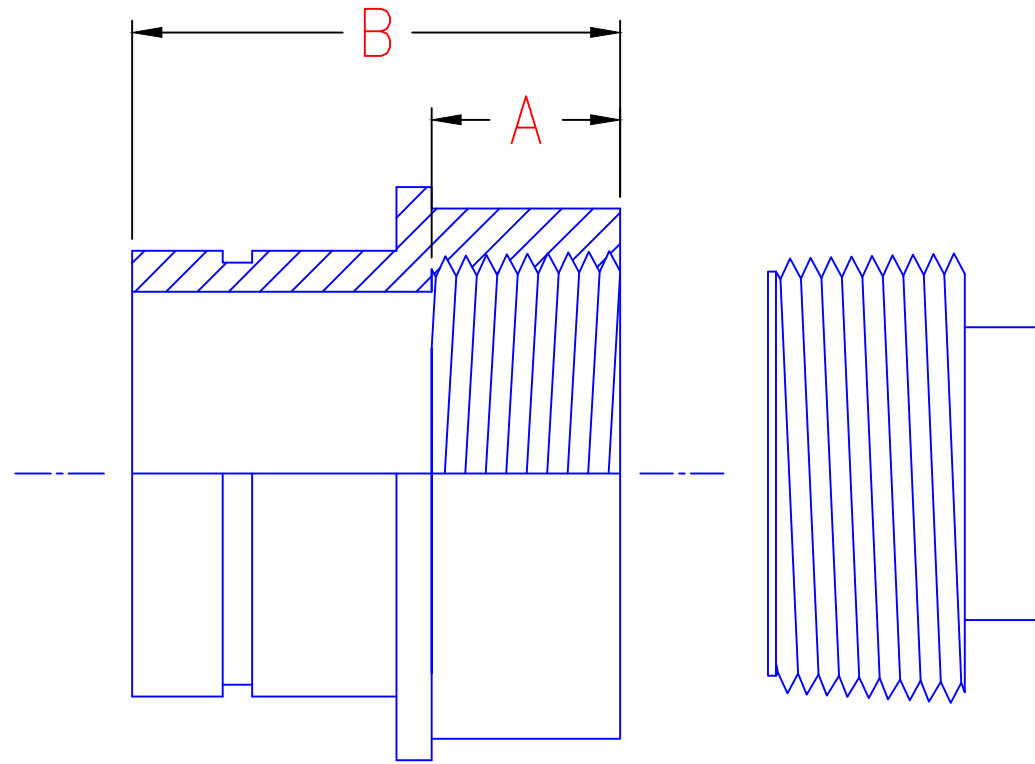


SIZE	A	B
1 1/2	0.80	2.07
2	0.80	2.07
3	1.25	3.00
4	1.50	3.00
6	2.00	4.31

EDP. NO.	DWG. NO.	REV
-	-	0


REF.		 BURLINGTON, ONTARIO, CANADA	PART NO.				
ISSUED			-				
SCALE	1 : 1		TITLE FA-Female Adapter				
PLOT	NTS		-				
PROD.			MATERIAL				
LIMITS UNLESS SPECIFIED FRACTIONAL : .015 DECIMAL : .005 ANGULAR : .5° DO NOT SCALE DRAWING		-		BY	DRAWN	CHECKED	APPR'VD
		FINISH ETC.		NAME	VASIM	-	B.GHALY
		-		DATE	14/1/16	-	14/1/16
				PRINTS BEFORE JAN 14, 2016 ARE VOID			

NO.	ALTERATIONS	DATE	BY	CHK'D

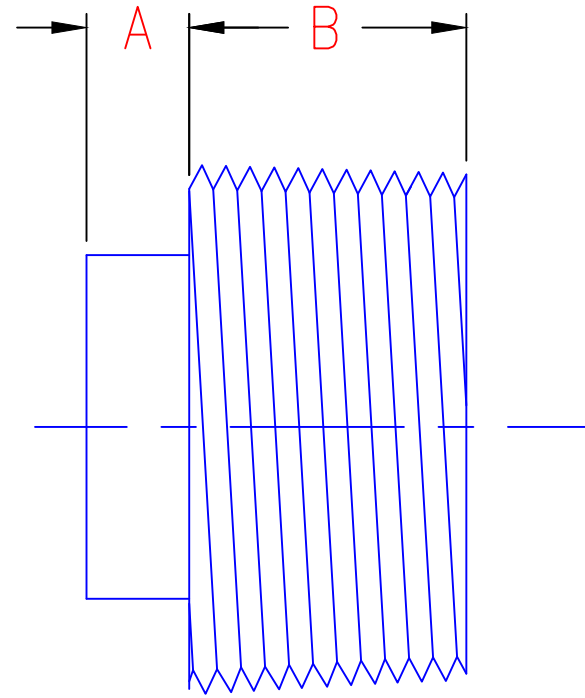
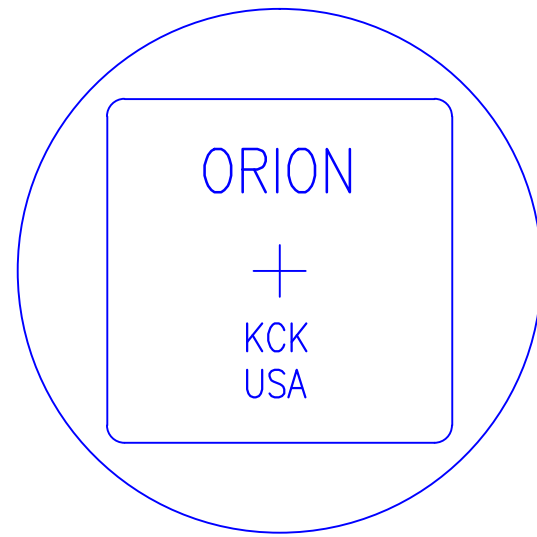


SIZE	A	B
1 1/2	0.80	2.07
2	0.80	2.07
3	1.25	3.00
4	1.50	3.00
6	2.00	4.31

EDP. NO.	DWG. NO.	REV
-	-	0

REF.		 BURLINGTON, ONTARIO, CANADA	PART NO.			
ISSUED			-			
SCALE	1 : 1	TITLE COA-Cleanout Adapter				
PLOT	NTS	-				
PROD.		MATERIAL		-		
<small>LIMITS UNLESS SPECIFIED            FRACTIONAL : .015            DECIMAL .XXX : .005            ANGULAR : .5°            DO NOT SCALE DRAWING</small>		FINISH ETC.		-		
		BY	DRAWN	CHECKED	APPR'D	
		NAME	VASIM	-	B.GHALY	
		DATE	14/1/16	-	14/1/16	
PRINTS BEFORE JAN 14, 2016 ARE VOID						

NO.	ALTERATIONS	DATE	BY	CHK'D

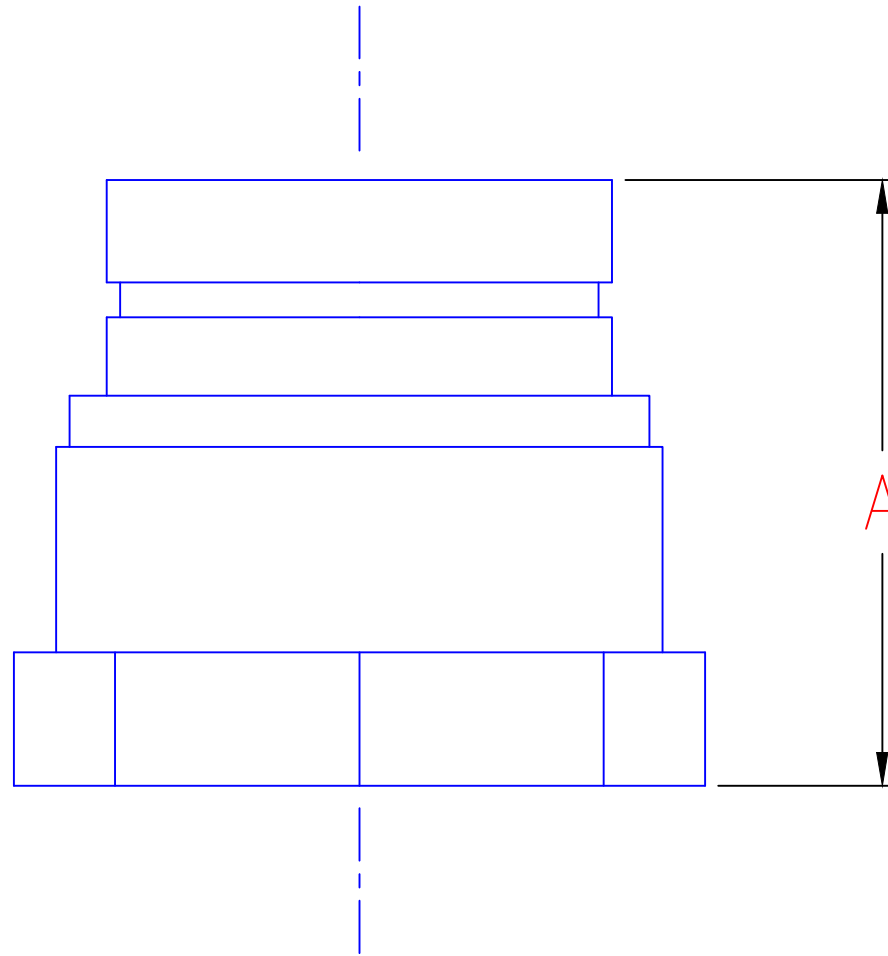


SIZE	A	B
1 1/2	0.37	0.99
2	0.68	1.12
3	0.68	1.09
4	0.68	1.13
6	0.95	1.33

EDP. NO. -	DWG. NO. -	REV 0
---------------	---------------	----------


REF.		 BURLINGTON, ONTARIO, CANADA	PART NO. -			
ISSUED			TITLE CPC-Cleanout Plug			
SCALE	1 : 1		MATERIAL -			
PLOT	NTS		FINISH ETC. -			
PROD.			BY	DRAWN	CHECKED	APPR'VD
<small>LIMITS UNLESS SPECIFIED          FRACTIONAL : .015          DECIMAL .XXX : .005          ANGULAR : .5°          DO NOT SCALE DRAWING</small>			NAME	VASIM	-	B.GHALY
			DATE	13/1/16	-	13/1/16
PRINTS BEFORE JAN 13, 2016 ARE VOID						

NO.	ALTERATIONS	DATE	BY	CHK'D

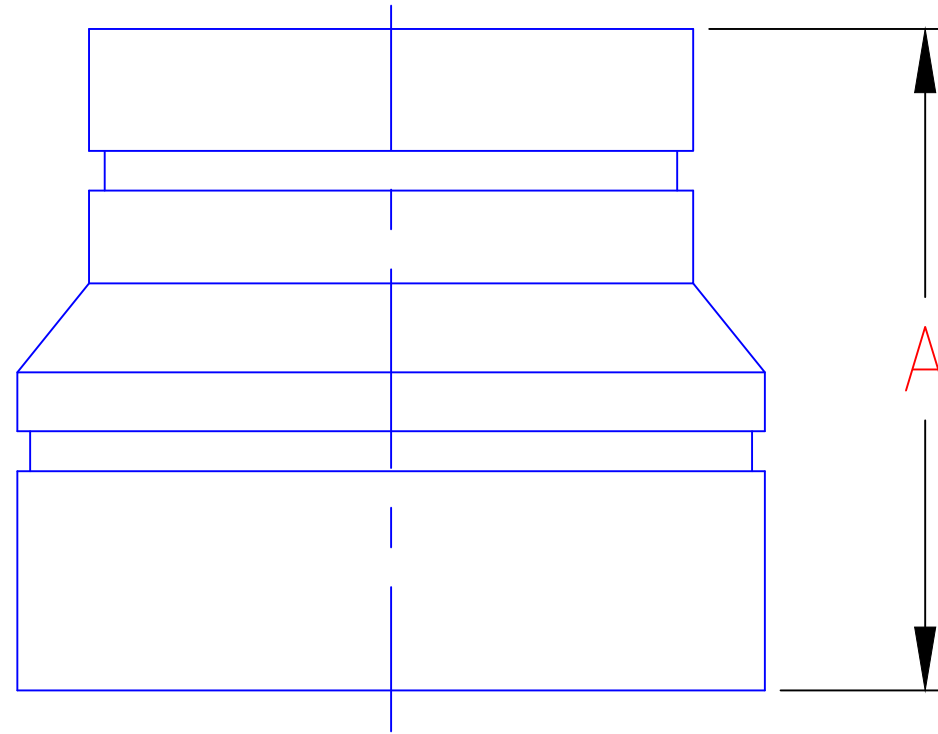


SIZE	A
1 1/2	2.26
2	2.55
3	3.36
4	3.33
6	5.21

EDP. NO.	DWG. NO.	REV
-	-	0


REF.		 BURLINGTON, ONTARIO, CANADA	PART NO.			
ISSUED			-			
SCALE	1 : 1	TITLE CAP				
PLOT	NTS	-				
PROD.		MATERIAL		-		
<small>LIMITS UNLESS SPECIFIED            FRACTIONAL : .015            DECIMAL .XXX : .005            ANGULAR : .5°            DO NOT SCALE DRAWING</small>		FINISH ETC.		-		
		BY	DRAWN	CHECKED	APPRVD	
		NAME	VASIM	-	B.GHALY	
		DATE	13/1/16	-	13/1/16	
PRINTS BEFORE JAN 13, 2016 ARE VOID						

NO.	ALTERATIONS	DATE	BY	CHK'D

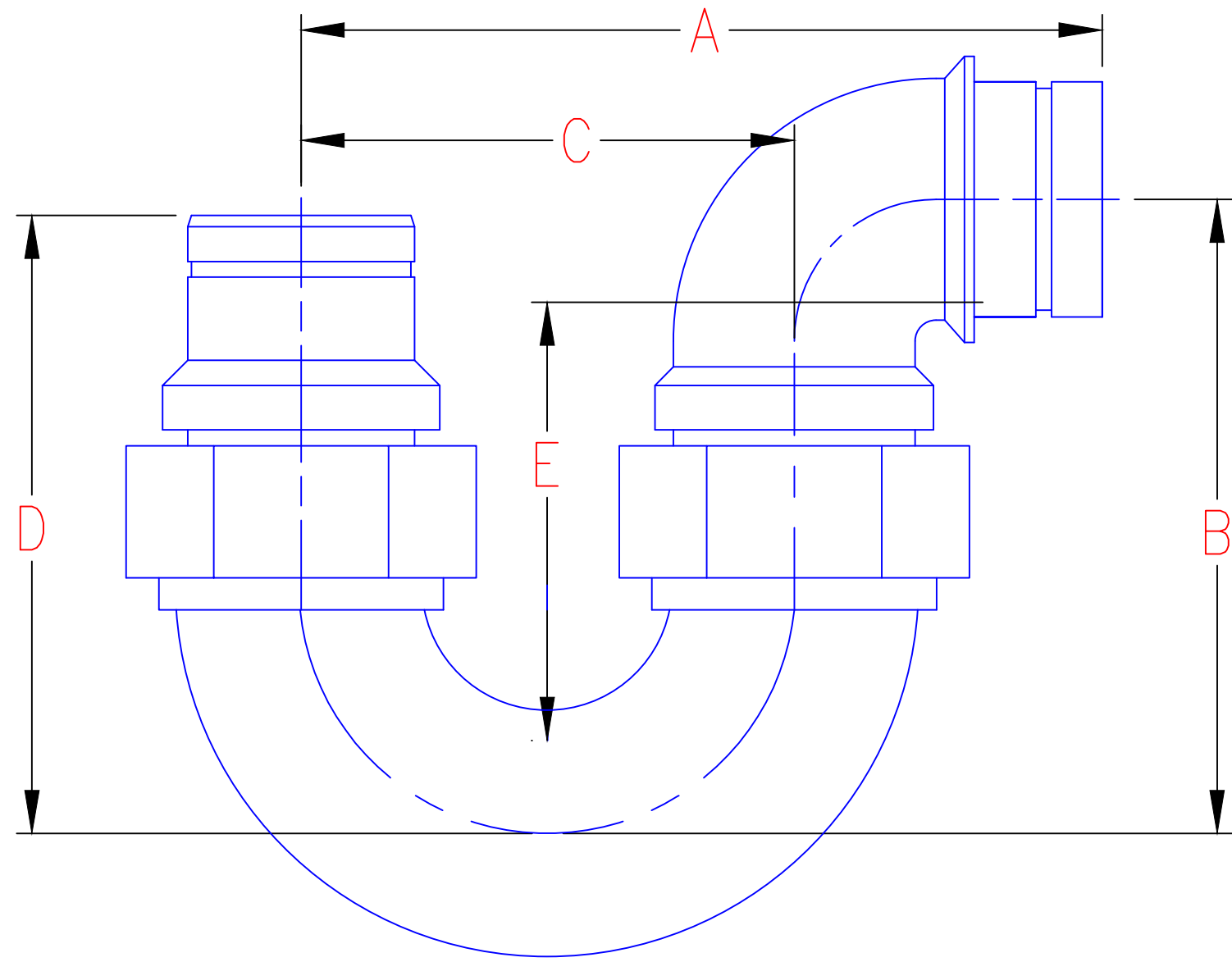


SIZE	A
2X1 1/2	2.08
3X 1 1/2	2.50
3X2	2.55
4X1 1/2	4.33
4X2	2.75
4X3	3.00
6X2	4.86
6X3	5.39
6X4	5.49

EDP. NO.	DWG. NO.	REV
-	-	0

REF.		 BURLINGTON, ONTARIO, CANADA	PART NO.				
ISSUED			-				
SCALE	1 : 1	TITLE RB-Reducing Bushing					
PLOT	NTS	-					
PROD.		MATERIAL		BY	DRAWN	CHECKED	APPRV'D
<small>LIMITS UNLESS SPECIFIED          FRACTIONAL : .015          DECIMAL .XXX : .005          ANGULAR : .5'          DO NOT SCALE DRAWING</small>		FINISH ETC.		NAME	VASIM	-	B.GHALY
		-		DATE	15/1/16	-	15/1/16
PRINTS BEFORE JAN 15, 2016 ARE VOID							

NO.	ALTERATIONS	DATE	BY	CHK'D



SIZE	A	B	C	D	E
1 1/2	6.50	5.28	4.00	5.27	3.74
2	8.03	5.77	5.25	5.74	3.70

EDP. NO.	DWG. NO.	REV
-		0

REF.	ISSUED	SCALE	PLOT	PROD.	MATERIAL	FINISH ETC.	BY	DRAWN	CHECKED	APPR'VD
		1 : 1	NTS				VASIM			B.GHALY
							15/1/16			15/1/16
LIMITS UNLESS SPECIFIED FRACTIONAL : .015 DECIMAL .XXX : .005 ANGULAR : .5° DO NOT SCALE DRAWING										
PRINTS BEFORE JAN 15, 2016 ARE VOID										

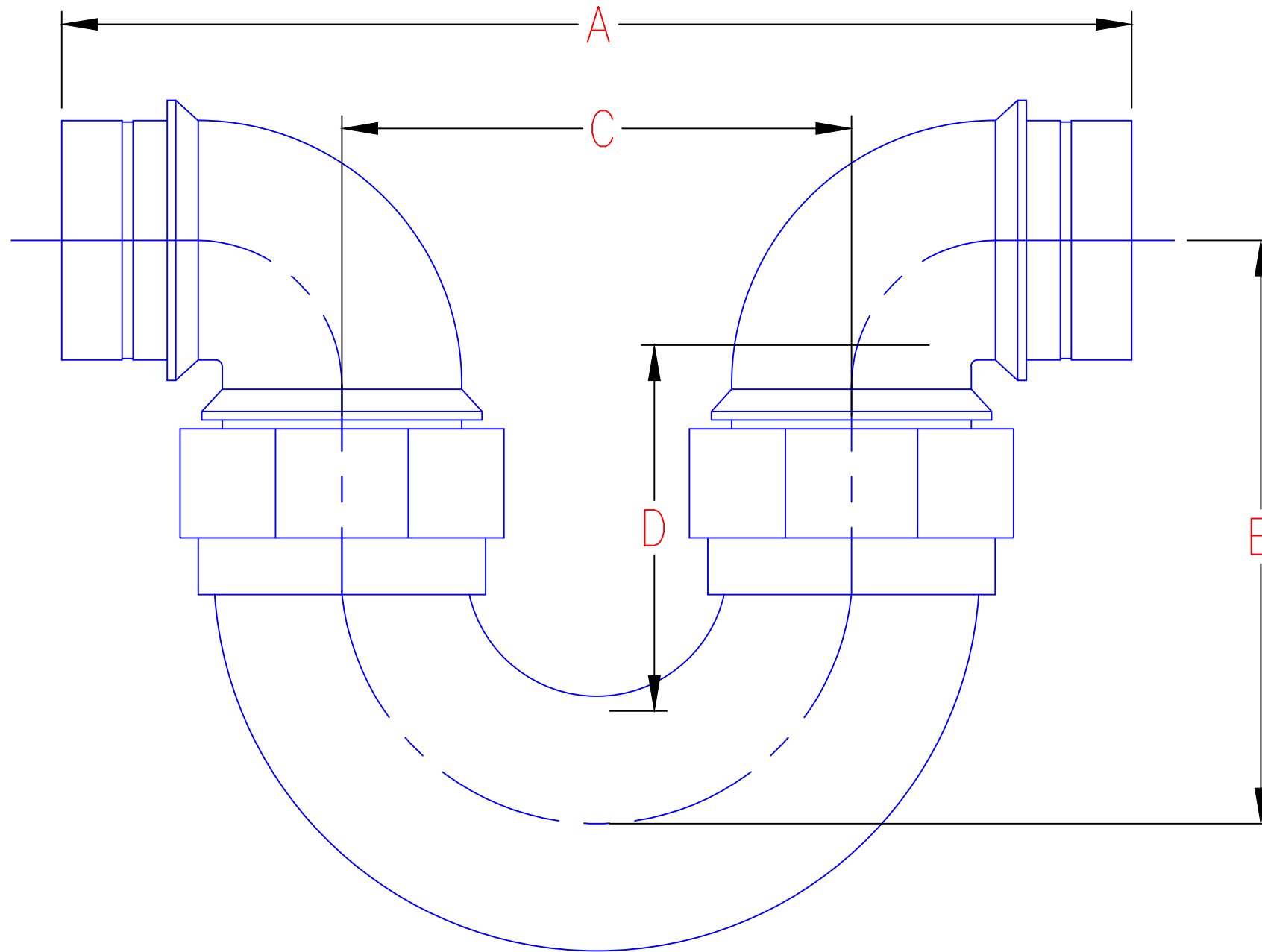
**WATTS**  
BURLINGTON, ONTARIO, CANADA

TITLE UTP-Full Drop Union P-Trap

PART NO.




NO.	ALTERATIONS	DATE	BY	CHK'D

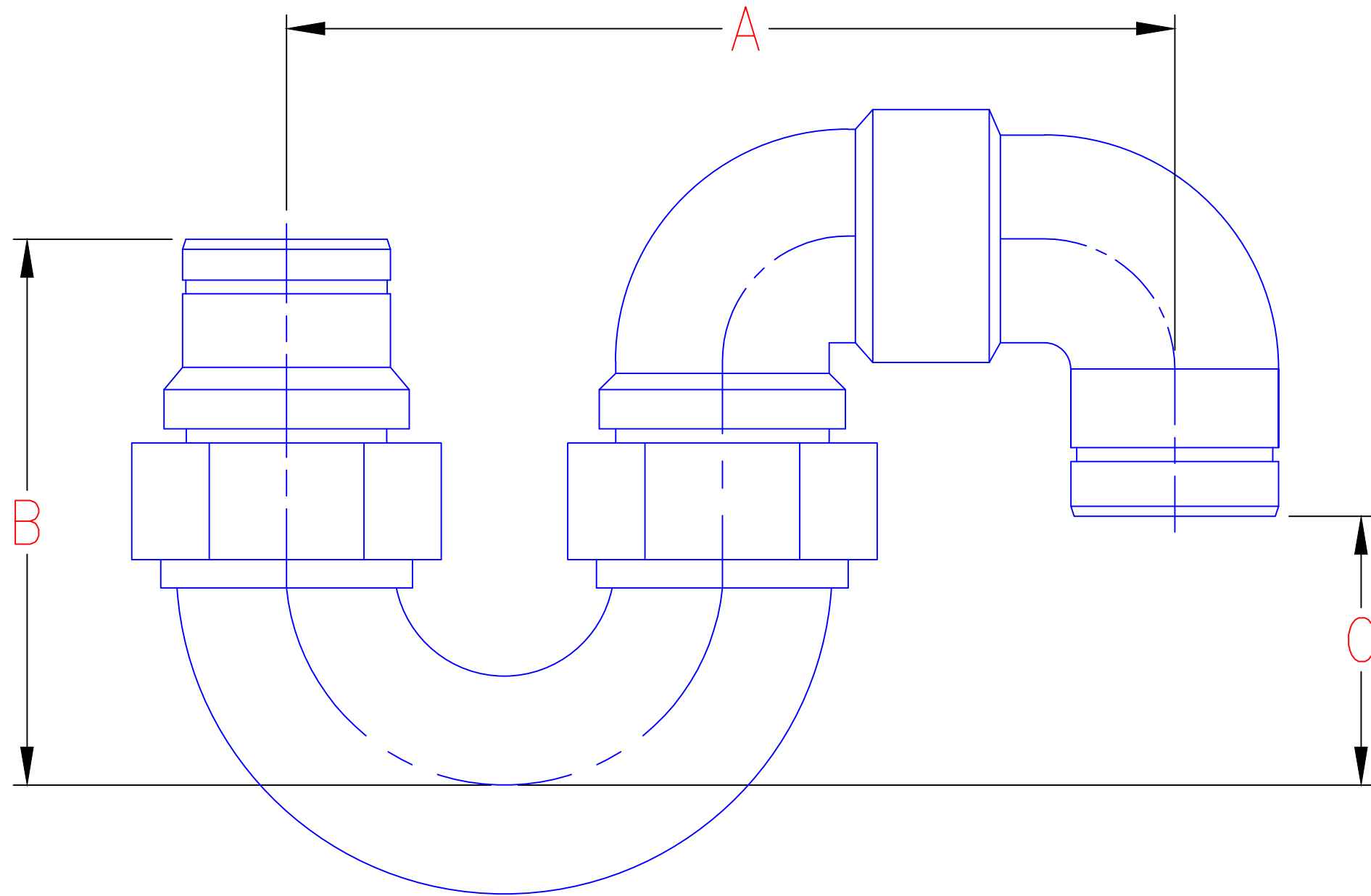


SIZE	A	B	C	D
1 1/2	9.00	5.28	4.00	3.74
2	10.81	5.76	5.25	3.70

EDP. NO.	DWG. NO.	REV
-	-	0

REF.		 BURLINGTON, ONTARIO, CANADA	PART NO.				
ISSUED			-				
SCALE	1 : 1		TITLE UTR-Running Trap				
PLOT	NTS		-				
PROD.		MATERIAL	-	BY	DRAWN	CHECKED	APPR'VD
<small>LIMITS UNLESS SPECIFIED          FRACTIONAL : .015          DECIMAL .XXX : .005          ANGULAR : .5°          DO NOT SCALE DRAWING</small>		FINISH ETC.		NAME	VASIM	-	B.GHALY
				DATE	15/1/16	-	15/1/16
				PRINTS BEFORE JAN 15, 2016 ARE VOID			


NO.	ALTERATIONS	DATE	BY	CHK'D



SIZE	A	B	C
1 1/2	8.15	5.00	2.46
2	10.41	5.73	2.11

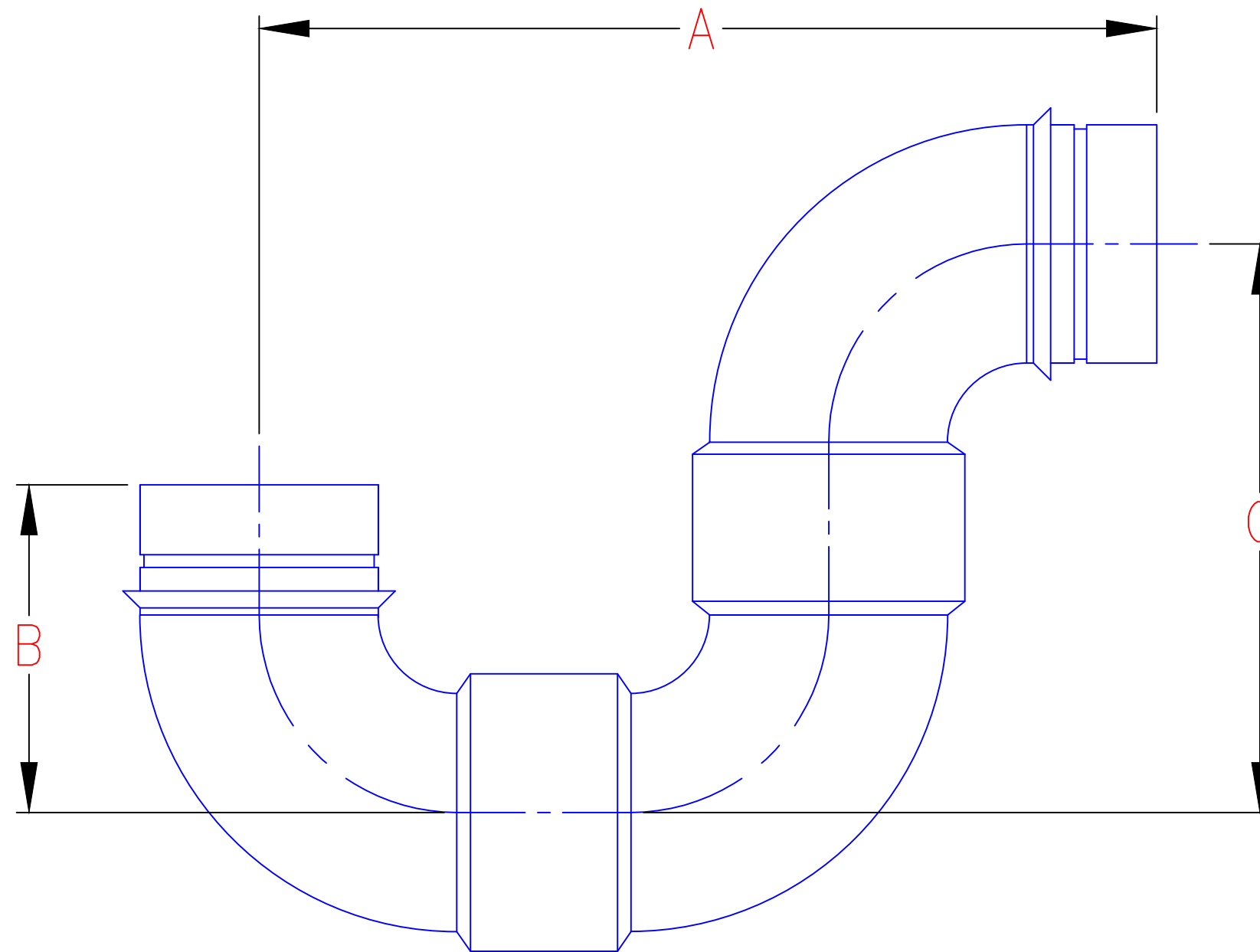
EDP. NO. 11101527	DWG. NO.	REV 0
PART NO.		

REF.	
ISSUED	
SCALE	1 : 1
PLOT	NTS
PROD.	

 BURLINGTON, ONTARIO, CANADA		PART NO.			
		TITLE UNION S TRAP FRPP 1.5"			
MATERIAL		BY	DRAWN	CHECKED	APPR'D
FINISH ETC.		NAME	VASIM		B.GHALY
		DATE			
PRINTS BEFORE _____ ARE VOID					


LIMITS UNLESS SPECIFIED  
 FRACTIONAL : .015  
 DECIMAL : .XXX : .005  
 ANGULAR : .5'  
 DO NOT SCALE DRAWING

NO.	ALTERATIONS	DATE	BY	CHK'D

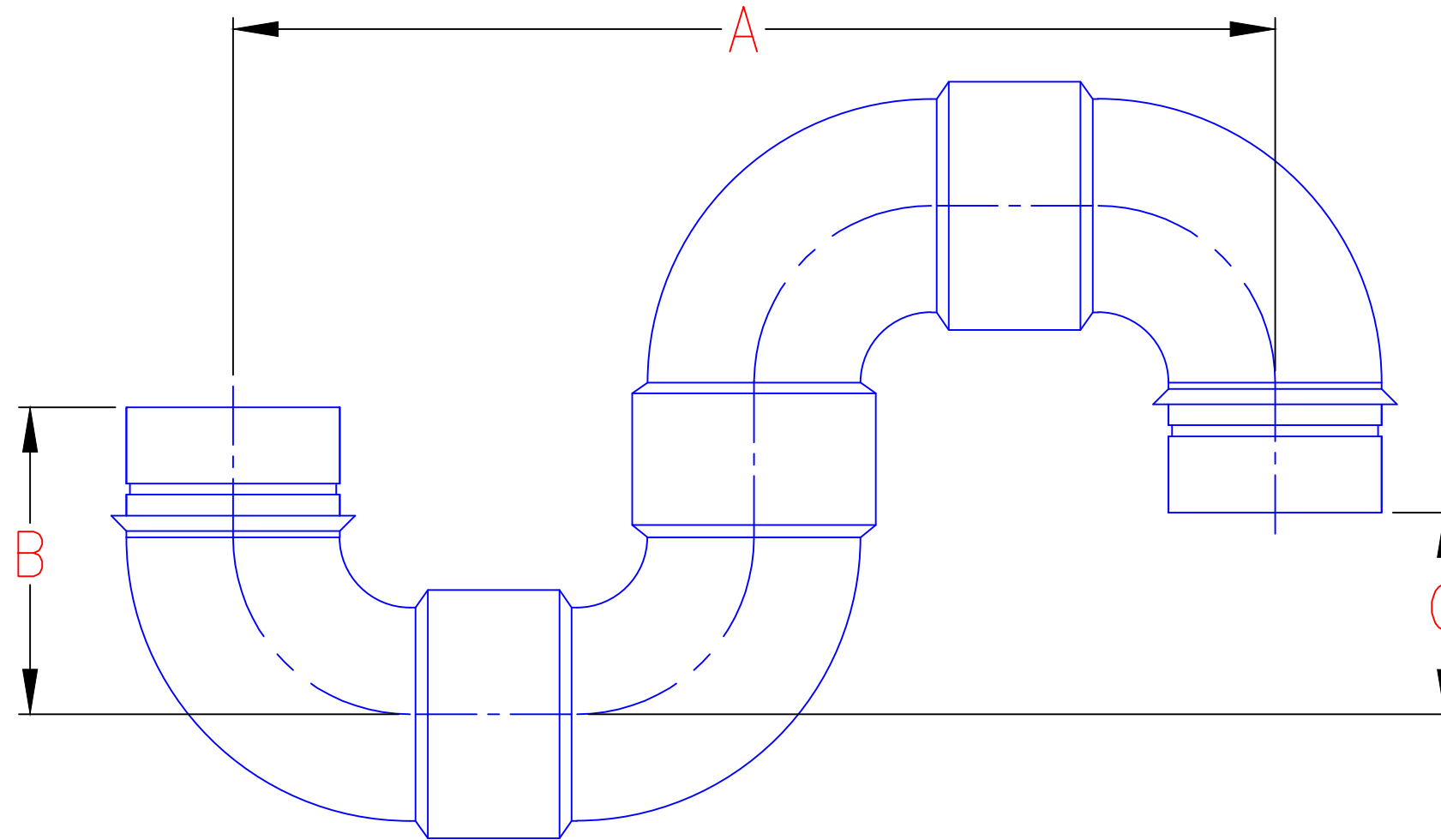


SIZE	A	B	C
1 1/2	6.78	2.56	4.23
2	9.22	3.41	5.81
3	12.19	4.53	7.66
4	14.13	5.25	8.88
6	18.39	9.39	11.39

EDP. NO. -	DWG. NO. -	REV 0
---------------	---------------	----------


REF.		 BURLINGTON, ONTARIO, CANADA	PART NO. -				
ISSUED			TITLE RBP-P Trap				
SCALE	1 : 1	MATERIAL		BY	DRAWN	CHECKED	APPR'VD
PLOT	NTS	FINISH ETC.		NAME	VASIM	-	B.GHALY
PROD.				DATE	14/1/16	-	14/1/16
<small>LIMITS UNLESS SPECIFIED          FRACTIONAL : .015          DECIMAL : .XXX : .005          ANGULAR : .5°          DO NOT SCALE DRAWING</small>				PRINTS BEFORE <u>14/1/16</u> ARE VOID			

NO.	ALTERATIONS	DATE	BY	CHK'D

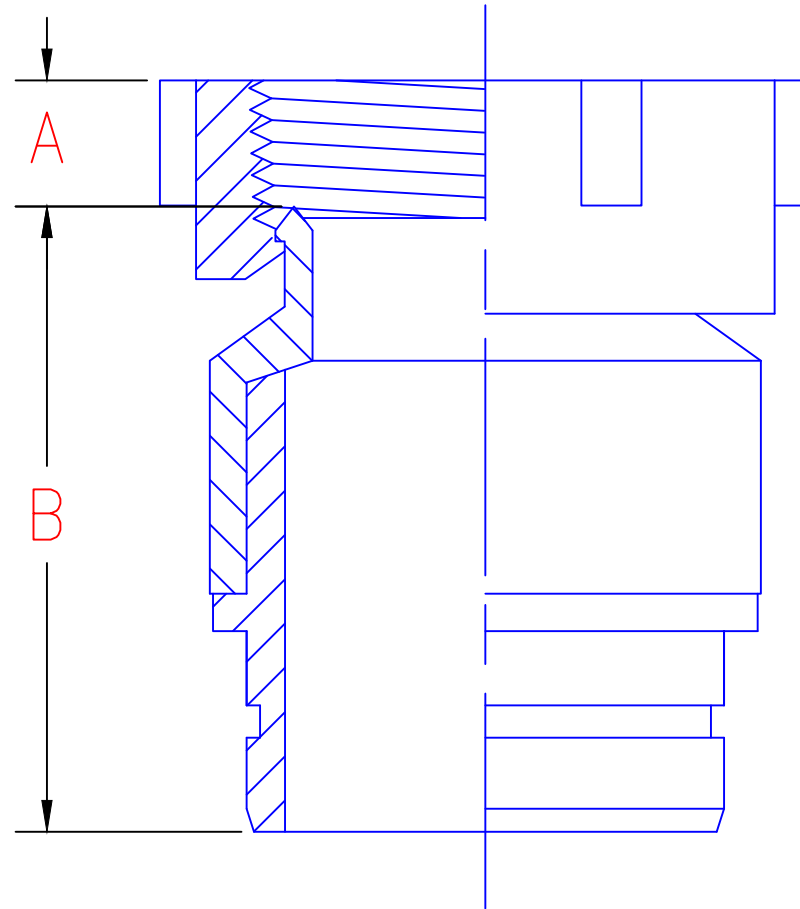


SIZE	A	B	C
1 1/2	8.42	2.55	1.66
2	11.59	3.37	2.40
3	15.29	4.50	3.13
4	18.00	5.57	3.58

EDP. NO.	DWG. NO.	REV
-	-	0


REF.		 BURLINGTON, ONTARIO, CANADA	PART NO.				
ISSUED			-				
SCALE	1 : 1		TITLE RBPS-S Trap				
PLOT	NTS		-				
PROD.		MATERIAL		BY	DRAWN	CHECKED	APPR'VD
<small>LIMITS UNLESS SPECIFIED            FRACTIONAL : .015            DECIMAL .XXX : .005            ANGULAR : .5'            DO NOT SCALE DRAWING</small>		FINISH ETC.		NAME	VASIM	-	B.GHALY
		-		DATE	18/1/16	-	18/1/16
PRINTS BEFORE JAN 18, 2016 ARE VOID							

NO.	ALTERATIONS	DATE	BY	CHK'D

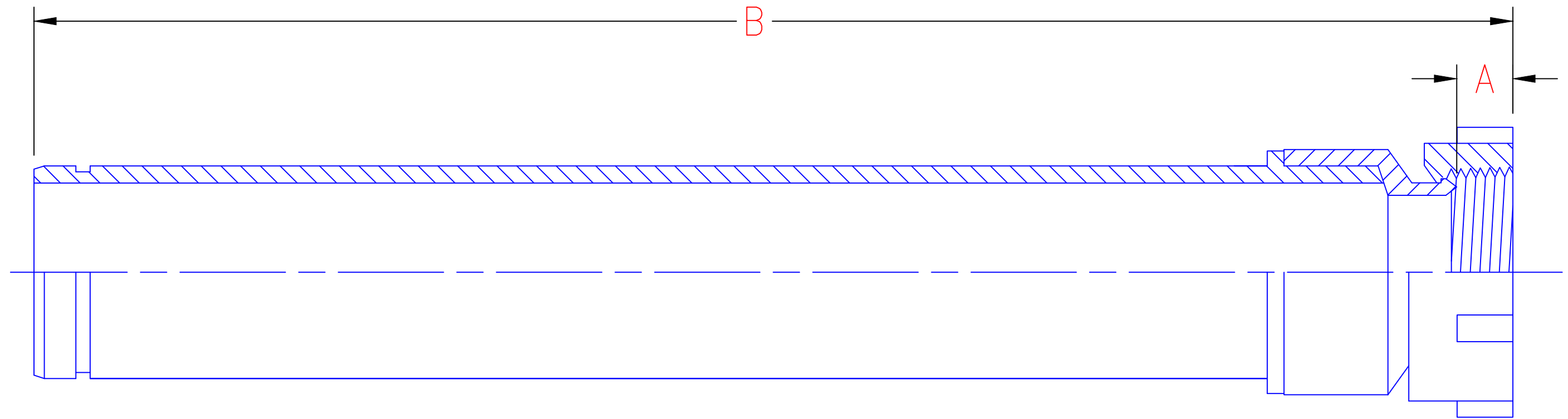


SIZE	A	B
1 1/2	0.51	2.53
2	0.77	3.28

EDP. NO. -	DWG. NO.	REV 0
---------------	----------	----------


REF.		 BURLINGTON, ONTARIO, CANADA		PART NO.			
ISSUED				TITLE RLNS-Sink Tail Piece Adapter			
SCALE	1 : 1	MATERIAL		BY	DRAWN	CHECKED	APPR'VD
PLOT	NTS	FINISH ETC.		NAME	VASIM	-	B.GHALY
PROD.				DATE	15/1/16	-	15/1/16
<small>LIMITS UNLESS SPECIFIED          FRACTIONAL : .015          DECIMAL .XXX : .005          ANGULAR : .5°          DO NOT SCALE DRAWING</small>				PRINTS BEFORE JAN 15, 2016 ARE VOID			

NO.	ALTERATIONS	DATE	BY	CHK'D

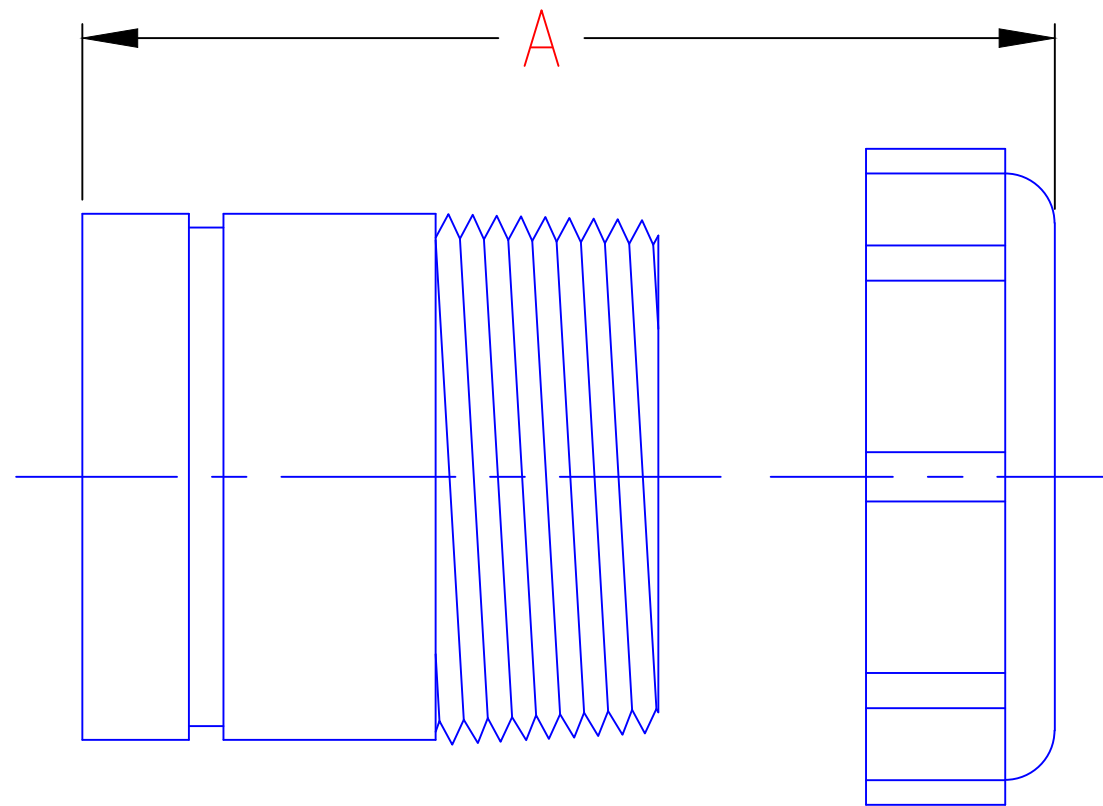


SIZE	A	B
1 1/2	0.50	13.25
2	0.77	13.87

EDP. NO.	DWG. NO.	REV
-		0


REF.		 BURLINGTON, ONTARIO, CANADA	PART NO.			
ISSUED			TITLE RLNS12-Sink Tail Piece Extension			
SCALE	1 : 1	MATERIAL				
PLOT	NTS	FINISH ETC.				
PROD.		BY	DRAWN	CHECKED	APPR'D	
<small>LIMITS UNLESS SPECIFIED            FRACTIONAL ± .015            DECIMAL .XXX ± .005            ANGULAR ± .5°            DO NOT SCALE DRAWING</small>		NAME	VASIM	-	B.GHALY	
		DATE	15/1/16	-	15/1/16	
		PRINTS BEFORE JAN 15, 2016 ARE VOID				

NO.	ALTERATIONS	DATE	BY	CHK'D

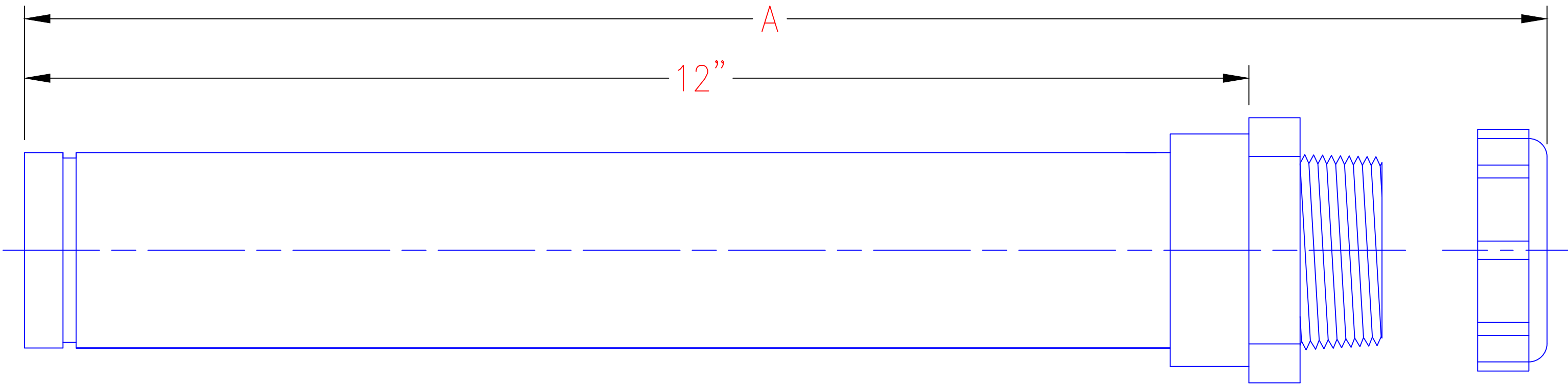


SIZE	A
1 1/2	2.48
2	2.40

EDP. NO.	DWG. NO.	REV
-		0


REF.		 BURLINGTON, ONTARIO, CANADA	PART NO.				
ISSUED			TITLE SJ-Slip Joint Adapter				
SCALE	1 : 1		-				
PLOT	NTS		-				
PROD.		MATERIAL		BY	DRAWN	CHECKED	APPR'VD
<small>LIMITS UNLESS SPECIFIED            FRACTIONAL : .015            DECIMAL : .005            ANGULAR : .5°            DO NOT SCALE DRAWING</small>		FINISH ETC.		NAME	VASIM	-	B.GHALY
				DATE	15/1/16	-	15/1/16
				PRINTS BEFORE JAN 15, 2016 ARE VOID			

NO.	ALTERATIONS	DATE	BY	CHK'D



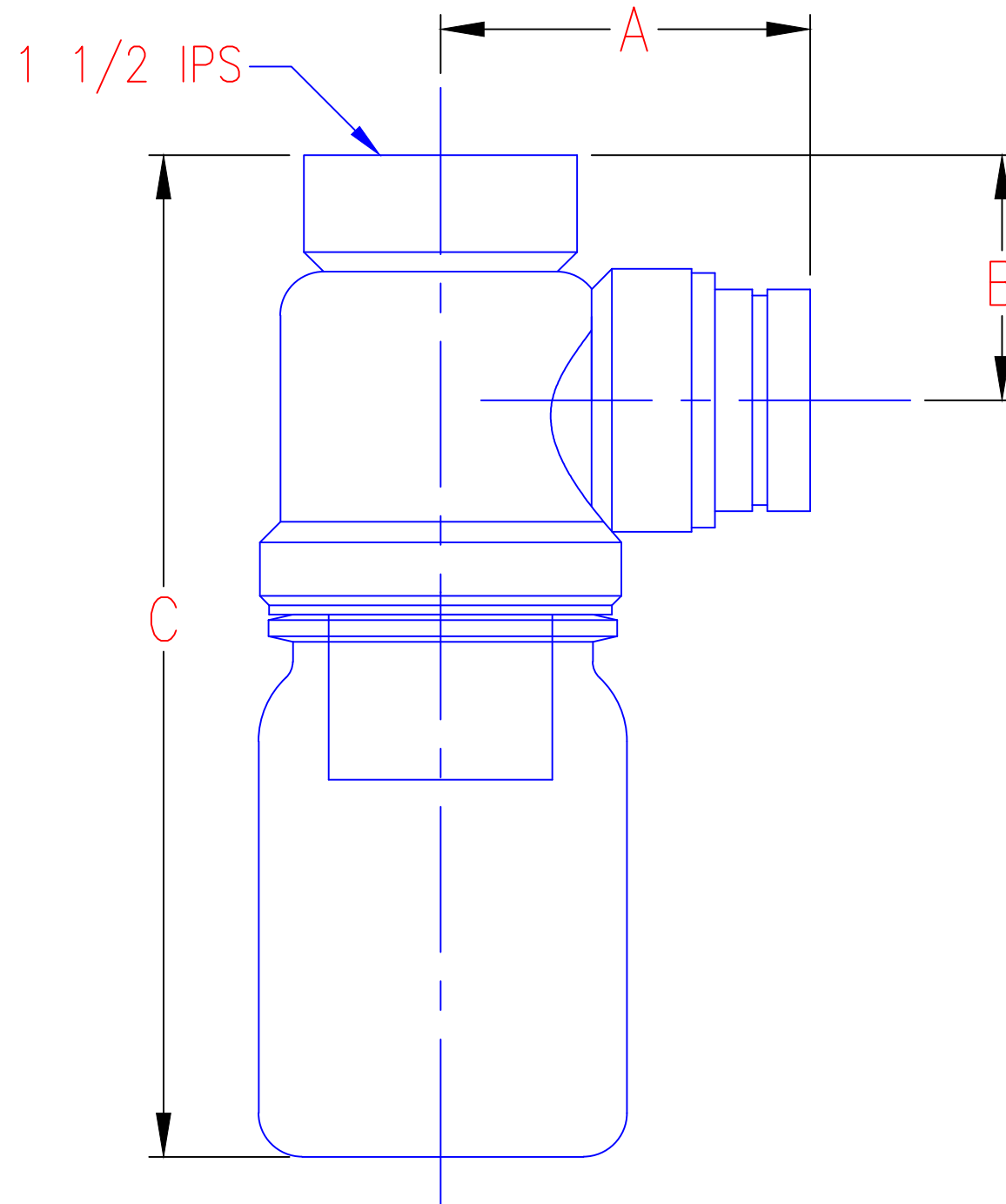
SIZE	A
1 1/2	13.34
2	13.34

EDP. NO.	DWG. NO.	REV
-		0

REF.		 BURLINGTON, ONTARIO, CANADA	PART NO.				
ISSUED			-				
SCALE	1 : 1		TITLE SJA12-Slip Joint Adapter X 12				
PLOT	NTS						
PROD.		MATERIAL		BY	DRAWN	CHECKED	APPR'VD
<small>LIMITS UNLESS SPECIFIED          FRACTIONAL : .015          DECIMAL : .005          ANGULAR : .5'          DO NOT SCALE DRAWING</small>		FINISH ETC.		NAME	VASIM	-	B.GHALY
				DATE	15/1/16	-	15/1/16
				PRINTS BEFORE JAN 15, 2016 ARE VOID			




NO.	ALTERATIONS	DATE	BY	CHK'D

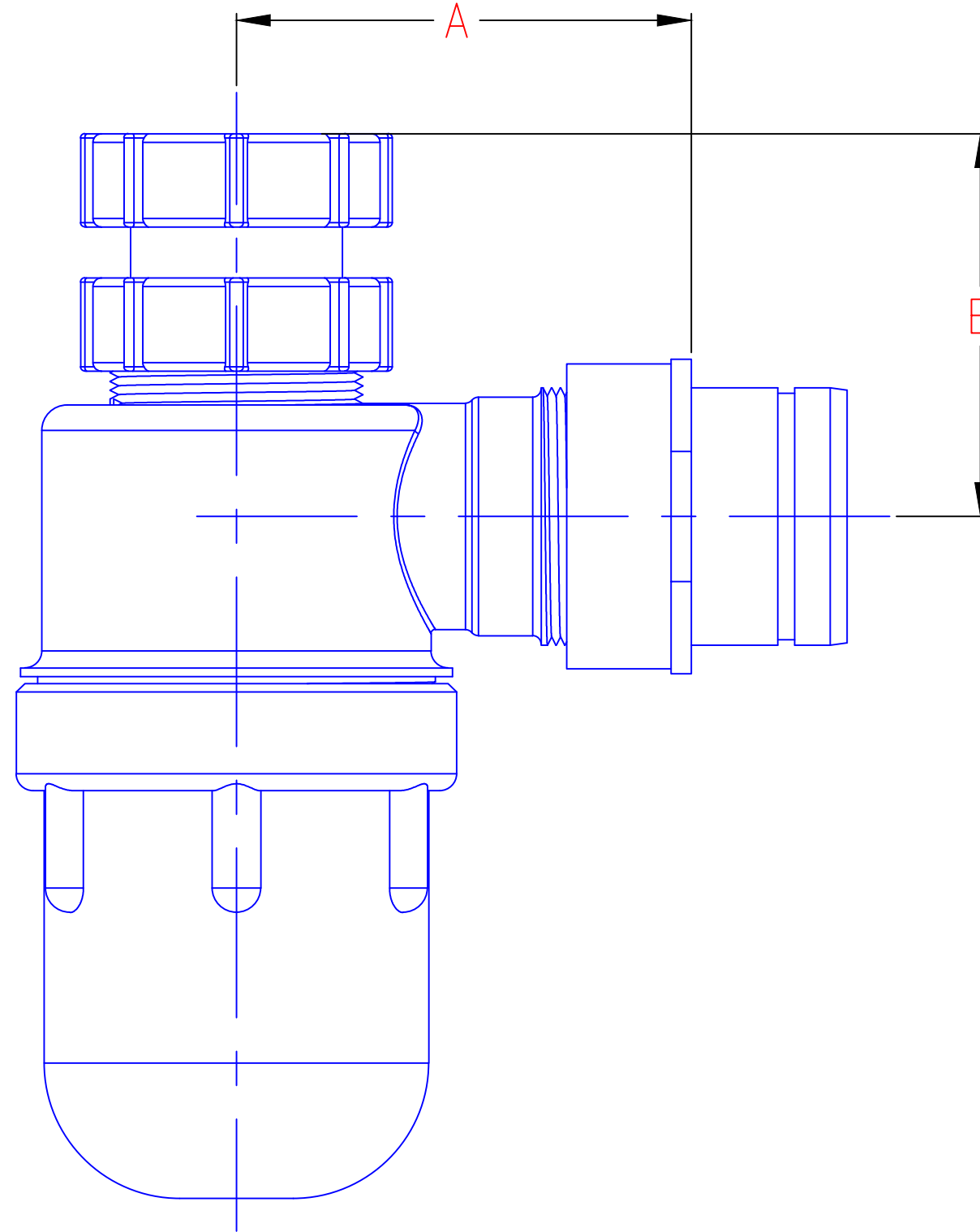


SIZE	A	B	C
w/o BOTTLE	3.18	2.10	
1PT			8.62
1QT			10.26
2QT			11.65

EDP. NO. -	DWG. NO.	REV 0
PART NO. -		


REF.		 BURLINGTON, ONTARIO, CANADA		PART NO. -			
ISSUED				TITLE Bottle Trap with Bottle			
SCALE	1 : 1	MATERIAL		BY	DRAWN	CHECKED	APPRV'D
PLOT	NTS	FINISH ETC.		NAME	VASIM	-	B.GHALY
PROD.				DATE	13/1/16	-	13/1/16
<small>LIMITS UNLESS SPECIFIED          FRACTIONAL : .015          DECIMAL .XXX : .005          ANGULAR : .5°          DO NOT SCALE DRAWING</small>				<small>PRINTS BEFORE JAN 13, 2016 ARE VOID</small>			

NO.	ALTERATIONS	DATE	BY	CHK'D

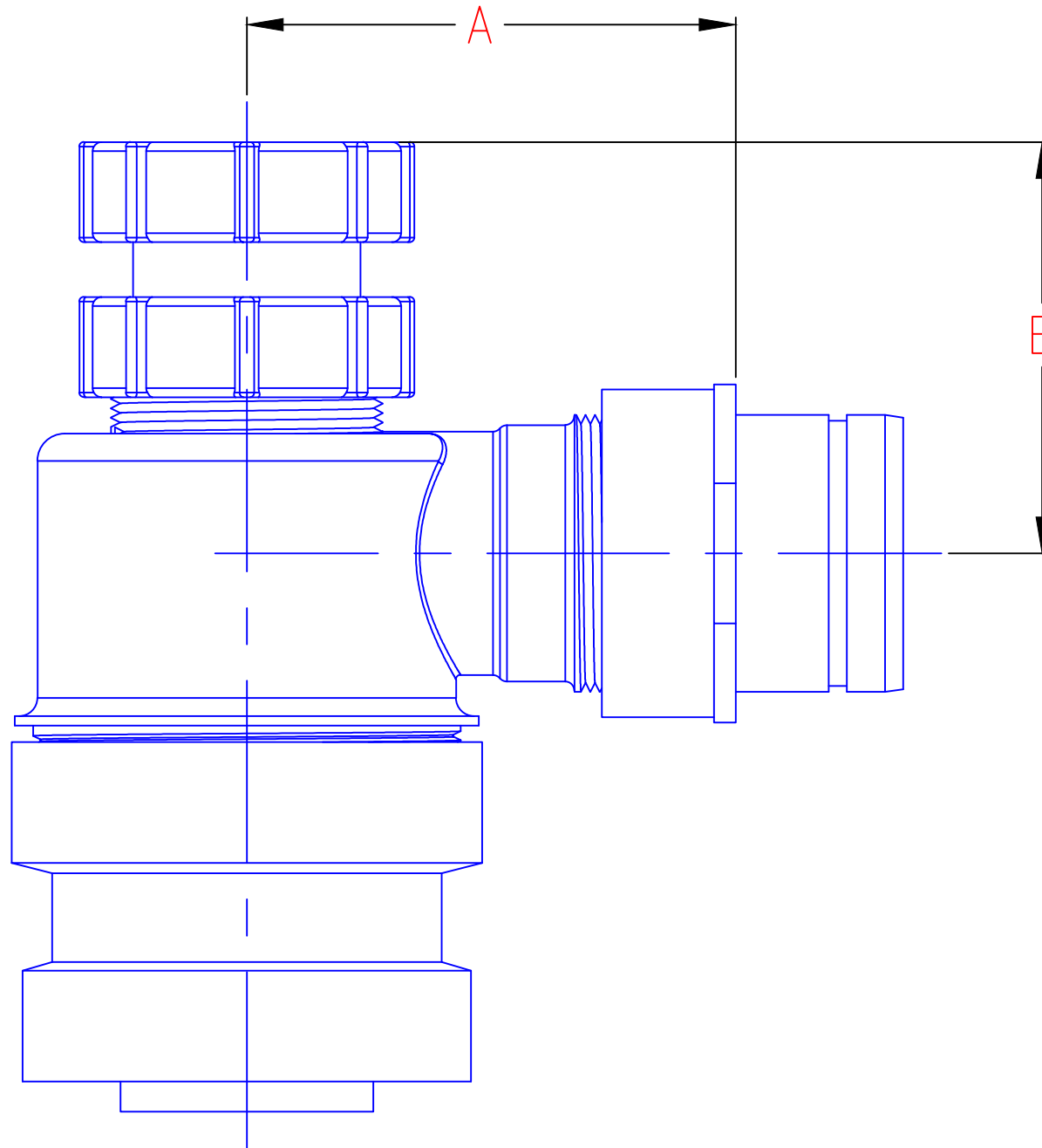


SIZE	A	B
1 1/2	3.00	7.25

EDP. NO.	DWG. NO.	REV
-	-	0


REF.		 BURLINGTON, ONTARIO, CANADA	PART NO.				
ISSUED			-				
SCALE	1 : 1		TITLE BT2-Adjustable Riser Bottle Trap with Female Threads.dwg				
PLOT	NTS		-				
PROD.		MATERIAL		BY	DRAWN	CHECKED	APPR'VD
<small>LIMITS UNLESS SPECIFIED            FRACTIONAL : .015            DECIMAL .XXX : .005            ANGULAR : .5°            DO NOT SCALE DRAWING</small>		FINISH ETC.		NAME	VASIM		B.GHALY
				DATE	10/2/16	-	10/2/16
PRINTS BEFORE FEB 10, 2016 ARE VOID							

NO.	ALTERATIONS	DATE	BY	CHK'D

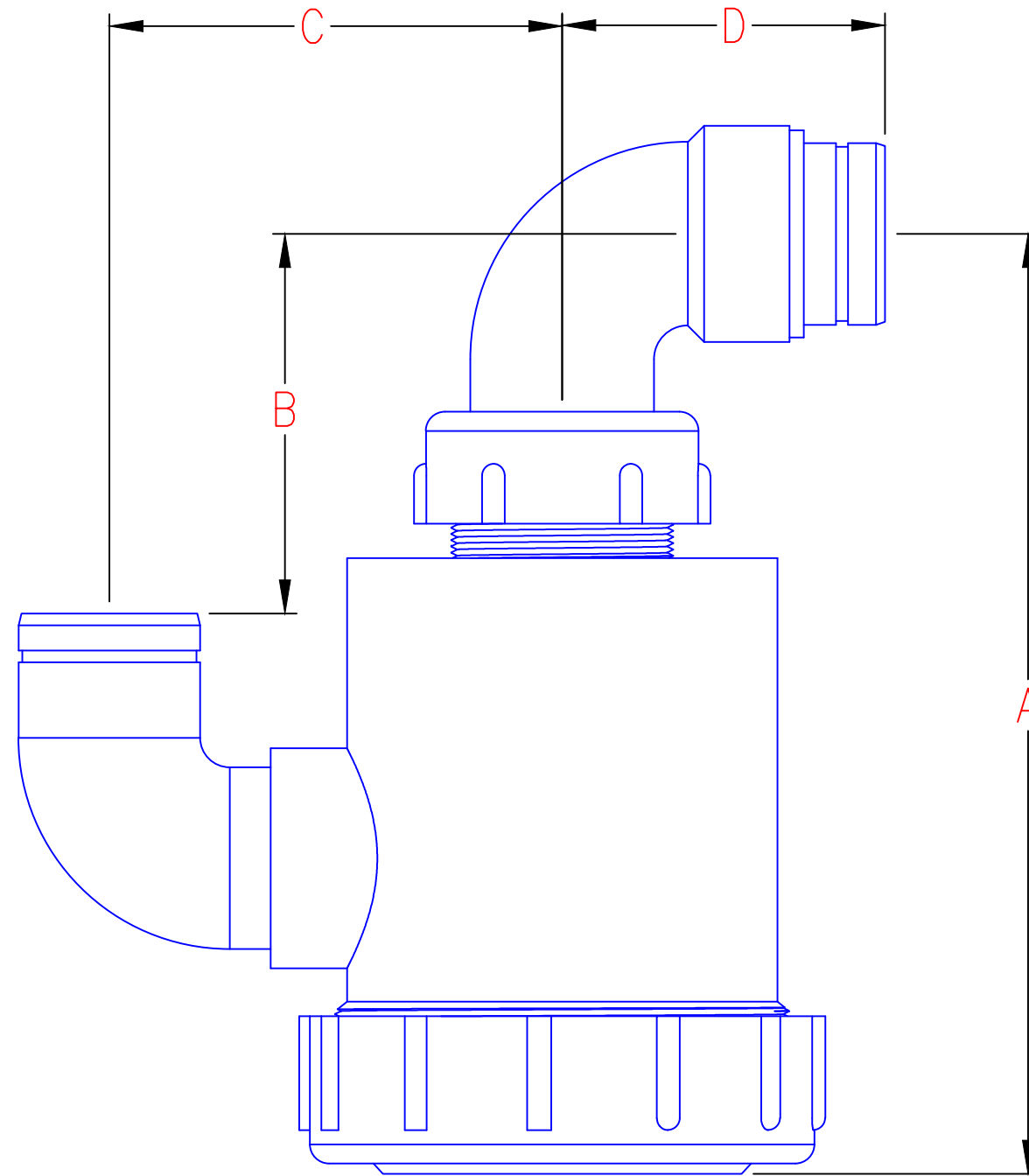


SIZE	A	B
1 1/2	3.00	7.25

EDP. NO.	DWG. NO.	REV
-	-	0


REF.		 BURLINGTON, ONTARIO, CANADA	PART NO.				
ISSUED			-				
SCALE	1 : 1		TITLE BT2-Adjustable Riser Bottle Trap with Female Threads.dwg				
PLOT	NTS		-				
PROD.		MATERIAL		BY	DRAWN	CHECKED	APPR'VD
<small>LIMITS UNLESS SPECIFIED            FRACTIONAL : .015            DECIMAL .XXX : .005            ANGULAR : .5°            DO NOT SCALE DRAWING</small>		FINISH ETC.		NAME	VASIM		B.GHALY
				DATE	10/2/16	-	10/2/16
				PRINTS BEFORE FEB 10, 2016 ARE VOID			

NO.	ALTERATIONS	DATE	BY	CHK'D

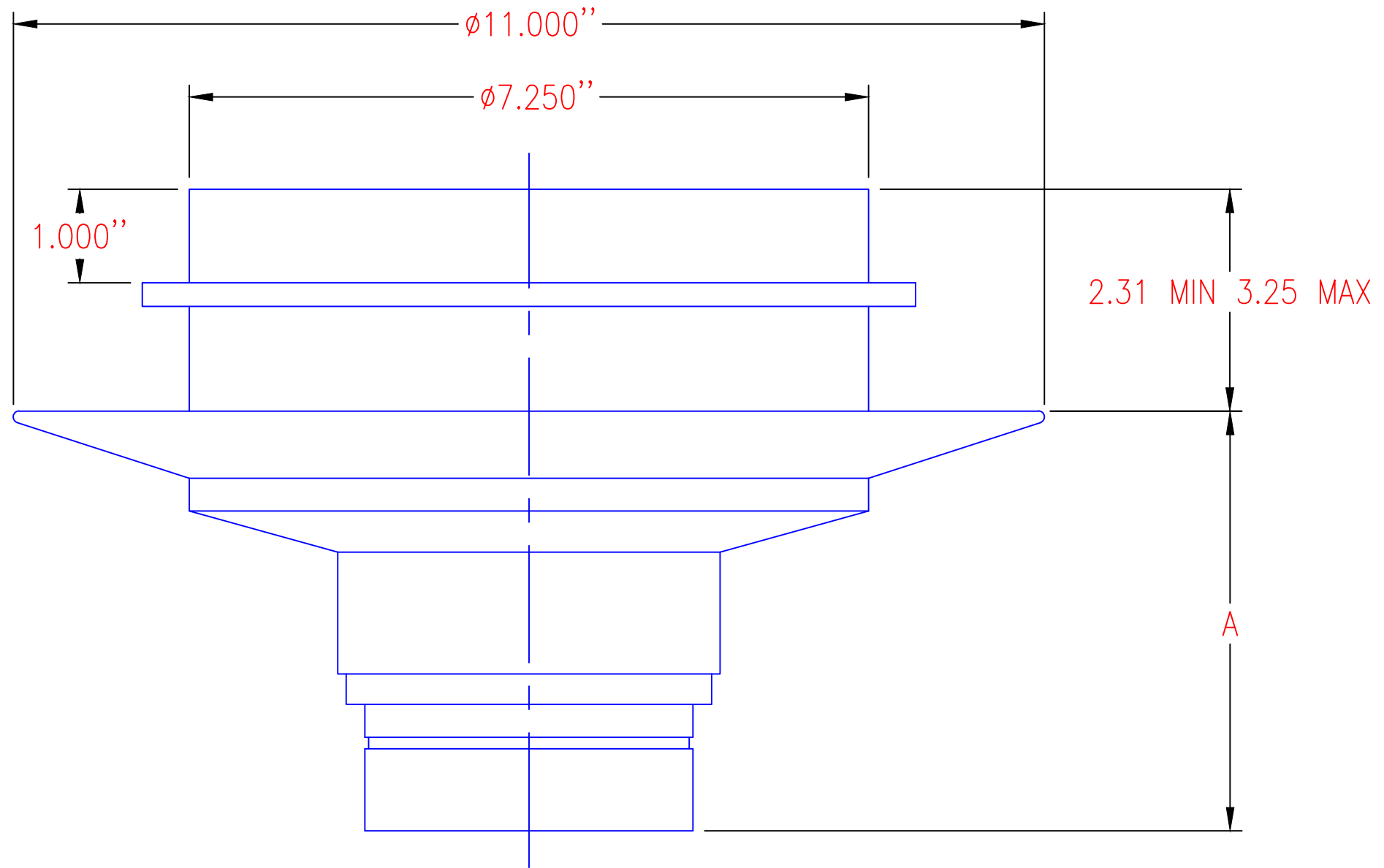


SIZE	A	B	C	D
1 1/2	9.82	3.96	4.74	3.38
2	10.34	3.63	5.81	4.69

EDP. NO. -	DWG. NO. -	REV 0
---------------	---------------	----------


REF. ISSUED	 BURLINGTON, ONTARIO, CANADA	PART NO. -				
SCALE 1 : 1		TITLE DT1-Drum Trap				
PLOT NTS		-				
PROD.		MATERIAL	-	BY	DRAWN	CHECKED
<small>LIMITS UNLESS SPECIFIED          FRACTIONAL : .015          DECIMAL .XXX : .005          ANGULAR : .5'          DO NOT SCALE DRAWING</small>	FINISH ETC.	-	NAME	VASIM	-	B.GHALY
			DATE	18/1/16	-	18/1/16
			PRINTS BEFORE JAN 18, 2016 ARE VOID			

NO.	ALTERATIONS	DATE	BY	CHK'D

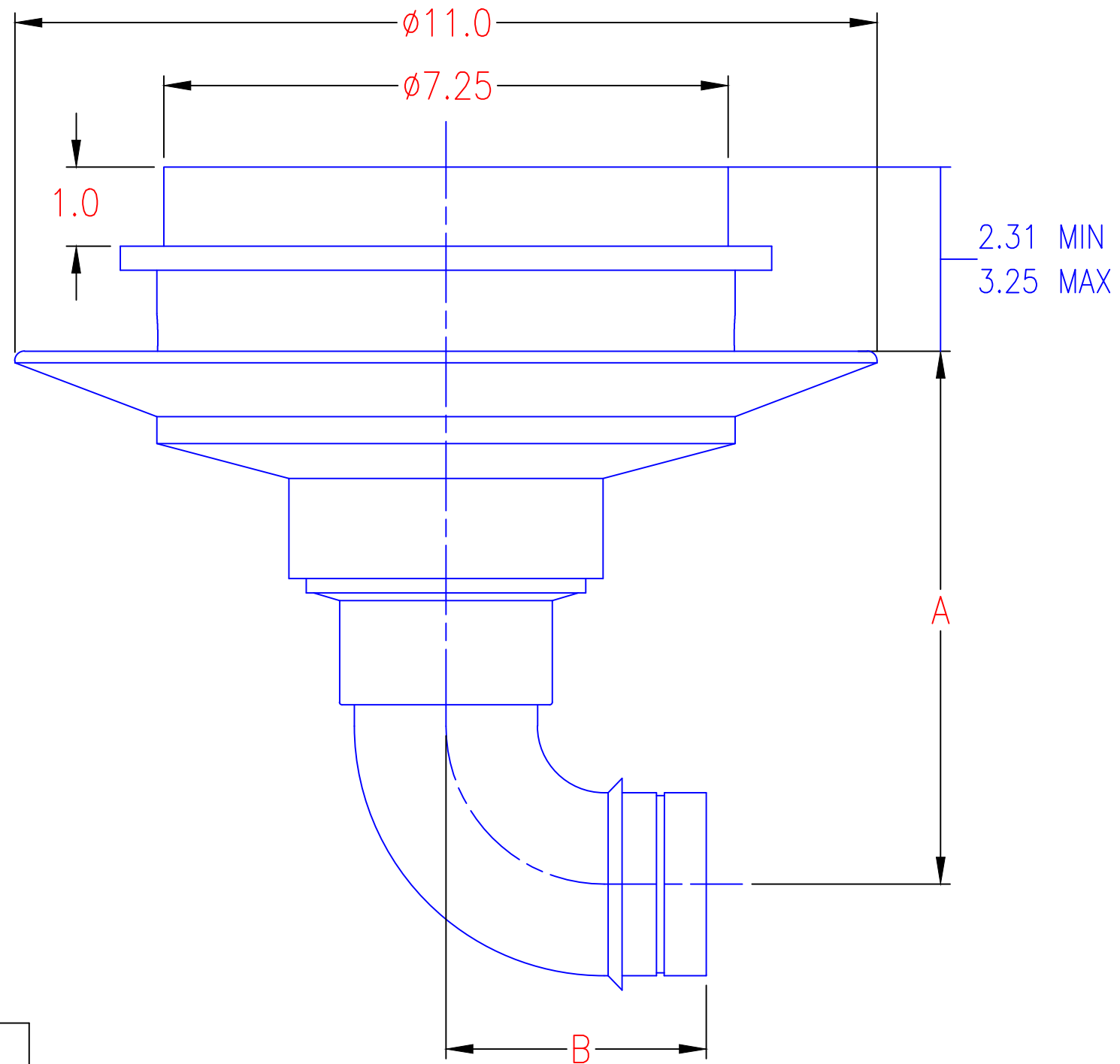


SIZE	A
2	4.40
3	4.61
4	4.66
6	3.58

EDP. NO.	DWG. NO.	REV
-	-	0

REF.		 BURLINGTON, ONTARIO, CANADA	PART NO. -				
ISSUED			TITLE FLOOR DRAIN NO HUB PLAIN END - AWFSTD				
SCALE	1 : 1						
PLOT	NTS						
PROD.		MATERIAL		BY	DRAWN	CHECKED	APPR'VD
<small>LIMITS UNLESS SPECIFIED            FRACTIONAL : .015            DECIMAL .XXX : .005            ANGULAR : .5'            DO NOT SCALE DRAWING</small>		FINISH ETC.		NAME	VASIM	-	B.GHALY
				DATE	14/1/16	-	14/1/16
				PRINTS BEFORE JAN 14, 2016 ARE VOID			

NO.	ALTERATIONS	DATE	BY	CHK'D

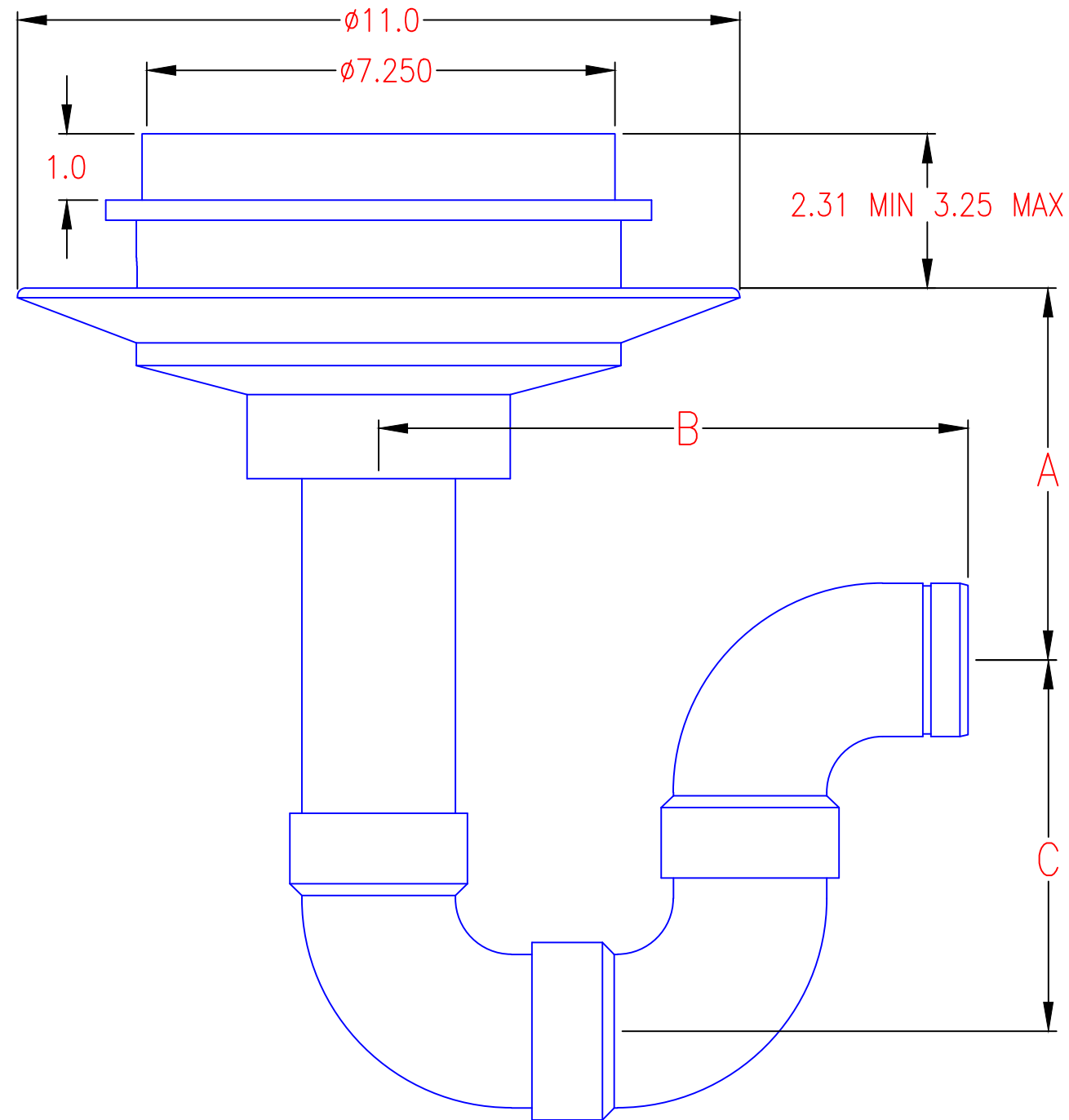


SIZE	A	B
2	6.95	3.41
3	6.08	4.53
4	6.90	5.25

EDP. NO.	DWG. NO.	REV
-	-	0


REF.	ISSUED	SCALE	PLOT	PROD.	MATERIAL	FINISH ETC.	BY	DRAWN	CHECKED	APPR'D
		1 : 1	NTS							
LIMITS UNLESS SPECIFIED FRACTIONAL : .015 DECIMAL .XXX : .005 ANGULAR : .5° DO NOT SCALE DRAWING					<b>WATTS</b> BURLINGTON, ONTARIO, CANADA		PART NO. - TITLE FLOOR DRAIN-No Hub/ Plain End - AWFDS0			
								VASIM	-	B.GHALY
								20/1/16	-	20/1/16
PRINTS BEFORE JAN 20, 2016 ARE VOID										

NO.	ALTERATIONS	DATE	BY	CHK'D

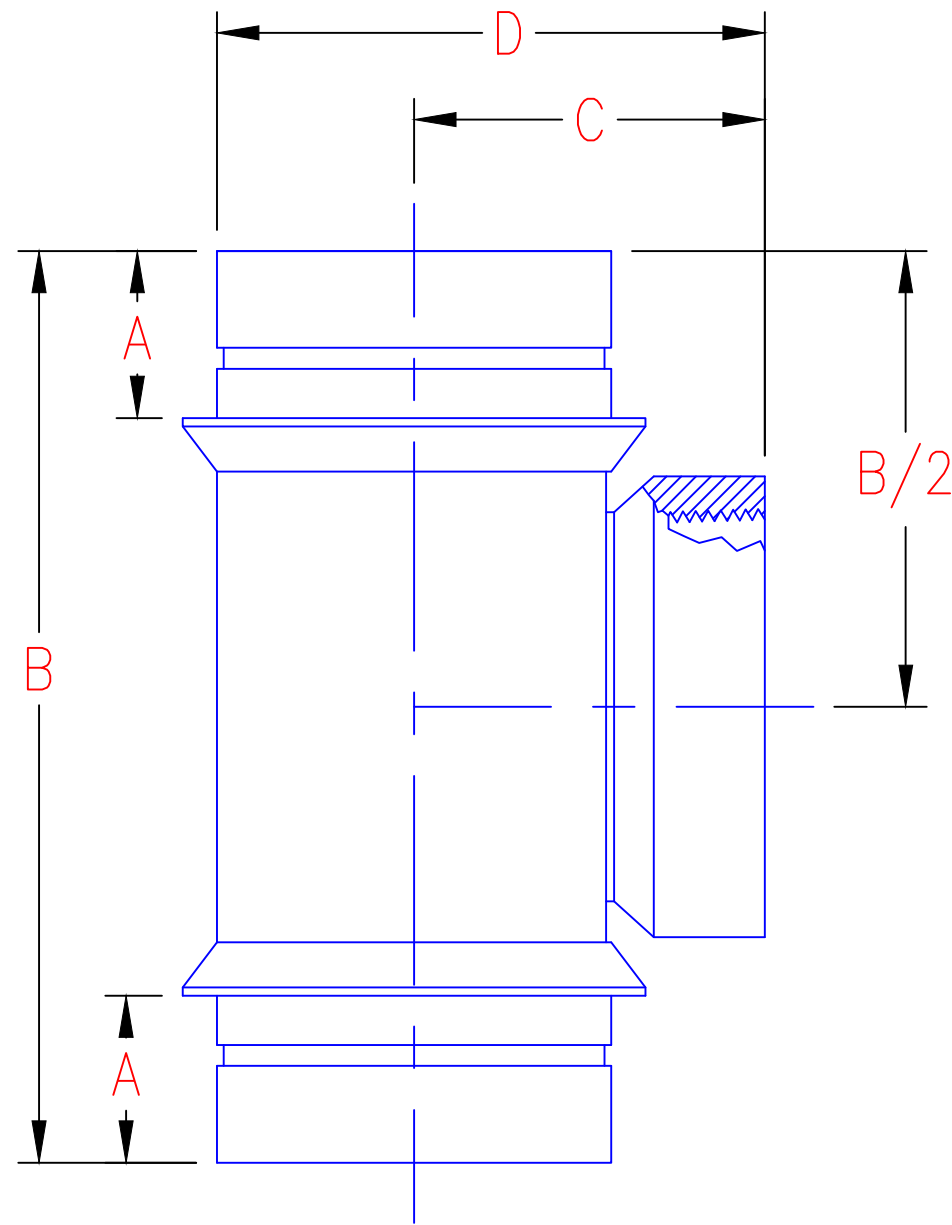


SIZE	A	B	C
2	8.42	9.13	5.75
3	5.90	12.08	7.58
4	5.30	15.16	9.60


EDP. NO.	DWG. NO.	REV
-	-	0

REF.		 BURLINGTON, ONTARIO, CANADA	PART NO.				
ISSUED			-				
SCALE	1 : 1		TITLE FLOOR DRAIN NO HUB PLAIN END - AWFDP				
PLOT	NTS						
PROD.		MATERIAL		BY	DRAWN	CHECKED	APPR'VD
				NAME	VASIM	-	B.GHALY
		FINISH ETC.		DATE	21/1/16	-	21/1/16
<small>LIMITS UNLESS SPECIFIED          FRACTIONAL : .015          DECIMAL : .005          ANGULAR : .5°          DO NOT SCALE DRAWING</small>		PRINTS BEFORE JAN 21, 2016 ARE VOID					

NO.	ALTERATIONS	DATE	BY	CHK'D

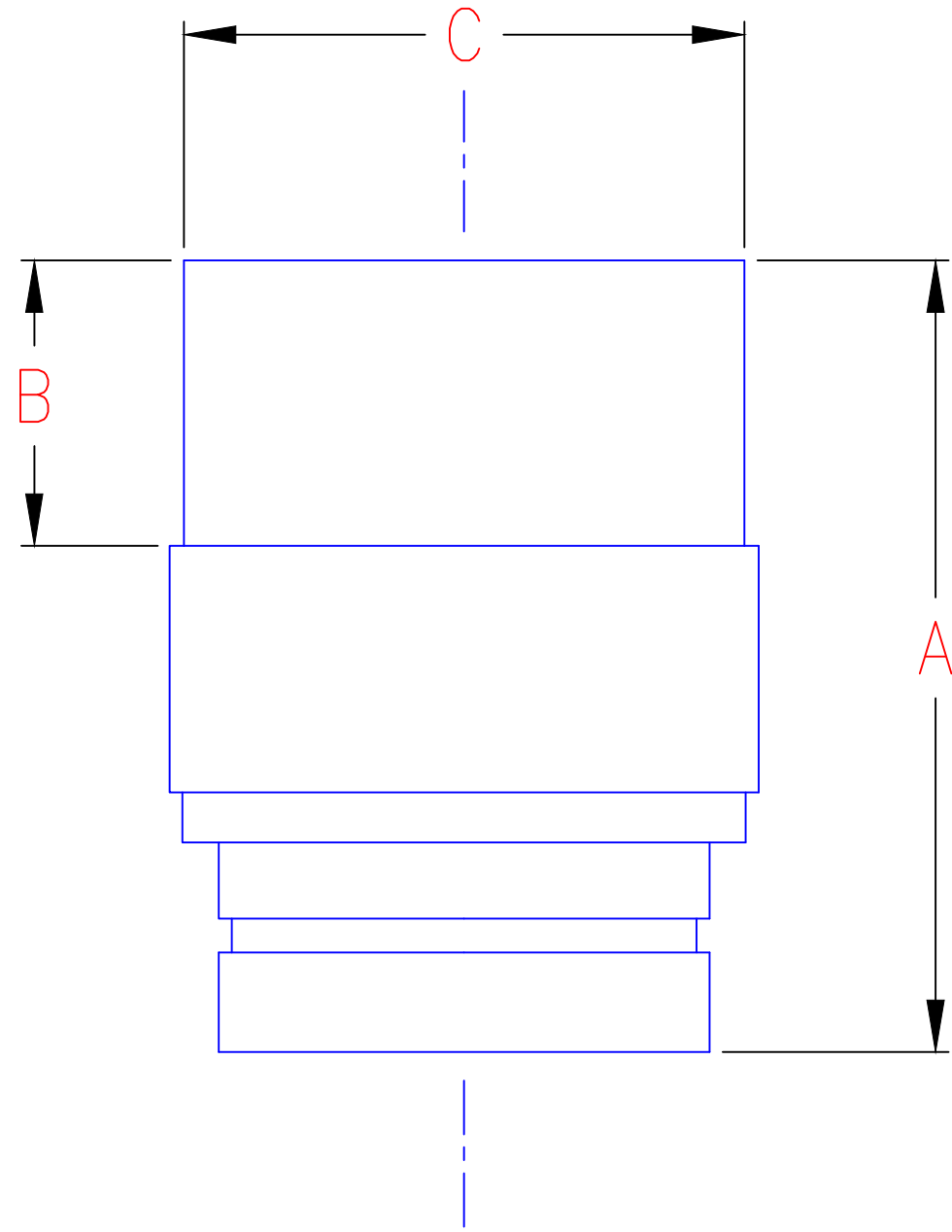


SIZE	A	B	C	D
1 1/2	0.88	7.72	2.16	3.11
2	1.01	5.46	2.16	3.35
3	1.36	10.70	2.88	4.63
4	1.54	12.29	3.50	5.75
6	2.14	19.20	9.31	12.63

REF.		 BURLINGTON, ONTARIO, CANADA	EDP. NO.				DWG. NO.				REV		
ISSUED			-								0		
SCALE	1 : 1		PART NO.										
PLOT	NTS		-										
PROD.		TITLE				COT-Clean Out Tee							
		MATERIAL								BY	DRAWN	CHECKED	APPR'D
		FINISH ETC.								NAME	VASIM	-	B.GHALY
										DATE	13/1/16	-	13/1/16
										PRINTS BEFORE JAN 13, 2016 ARE VOID			
<small>LIMITS UNLESS SPECIFIED          FRACTIONAL : .015          DECIMAL .XXX : .005          ANGULAR : .5°          DO NOT SCALE DRAWING</small>													




NO.	ALTERATIONS	DATE	BY	CHK'D

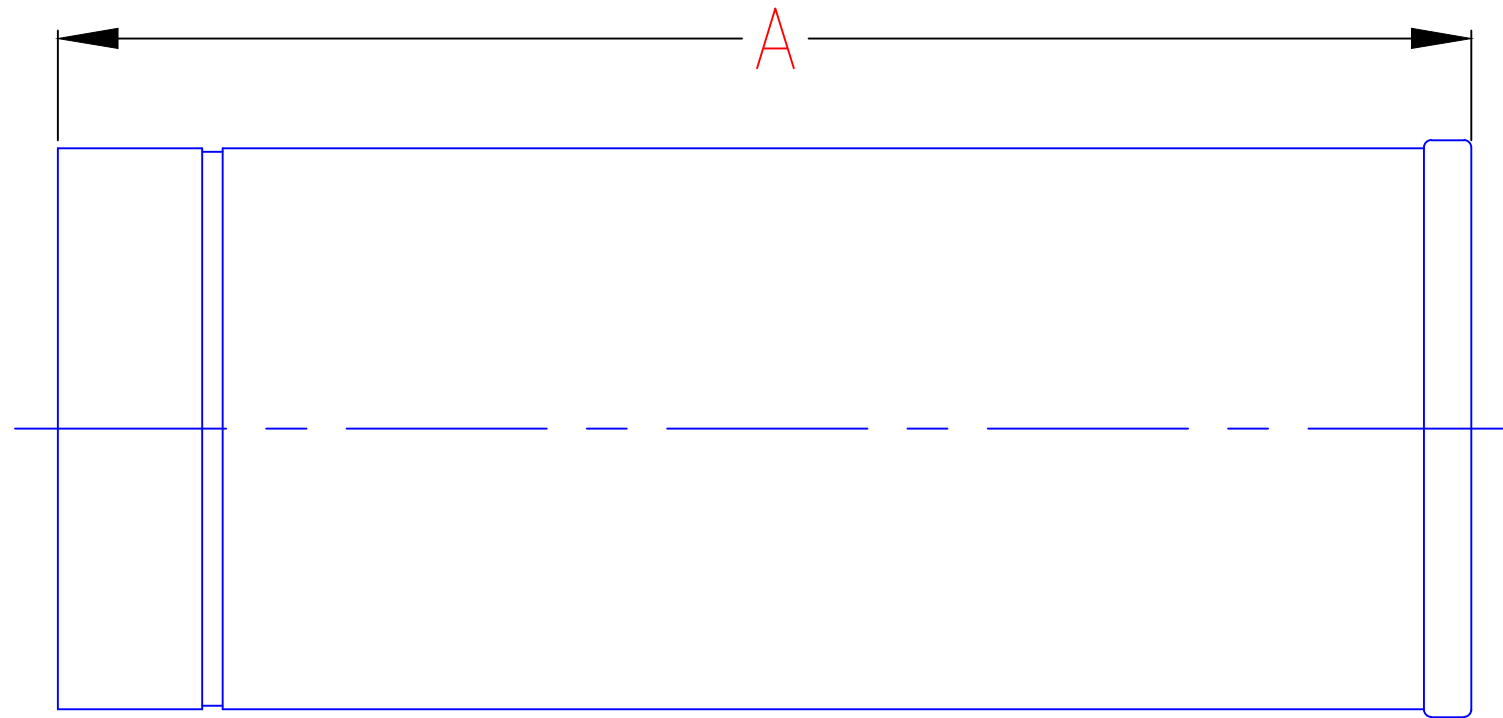


SIZE	A	B	C
1 1/2	3.05	1.09	2.17
2	3.38	1.08	2.62
3	4.66	1.08	3.75
4	4.69	1.07	4.79
6	6.47	1.14	6.90

EDP. NO.	DWG. NO.	REV
-		0


REF.		 BURLINGTON, ONTARIO, CANADA	PART NO.			
ISSUED			TITLE DA-Duriorn X MJ Adapter			
SCALE	1 : 1	-				
PLOT	NTS	-				
PROD.		MATERIAL		-		
<small>LIMITS UNLESS SPECIFIED          FRACTIONAL : .015          DECIMAL .XXX : .005          ANGULAR : .5'          DO NOT SCALE DRAWING</small>		FINISH ETC.		-		
		BY	DRAWN	CHECKED	APPR'VD	
		NAME	VASIM	-	B.GHALY	
DATE		13/1/16	-	13/1/16		
PRINTS BEFORE JAN 13, 2016 ARE VOID						

NO.	ALTERATIONS	DATE	BY	CHK'D

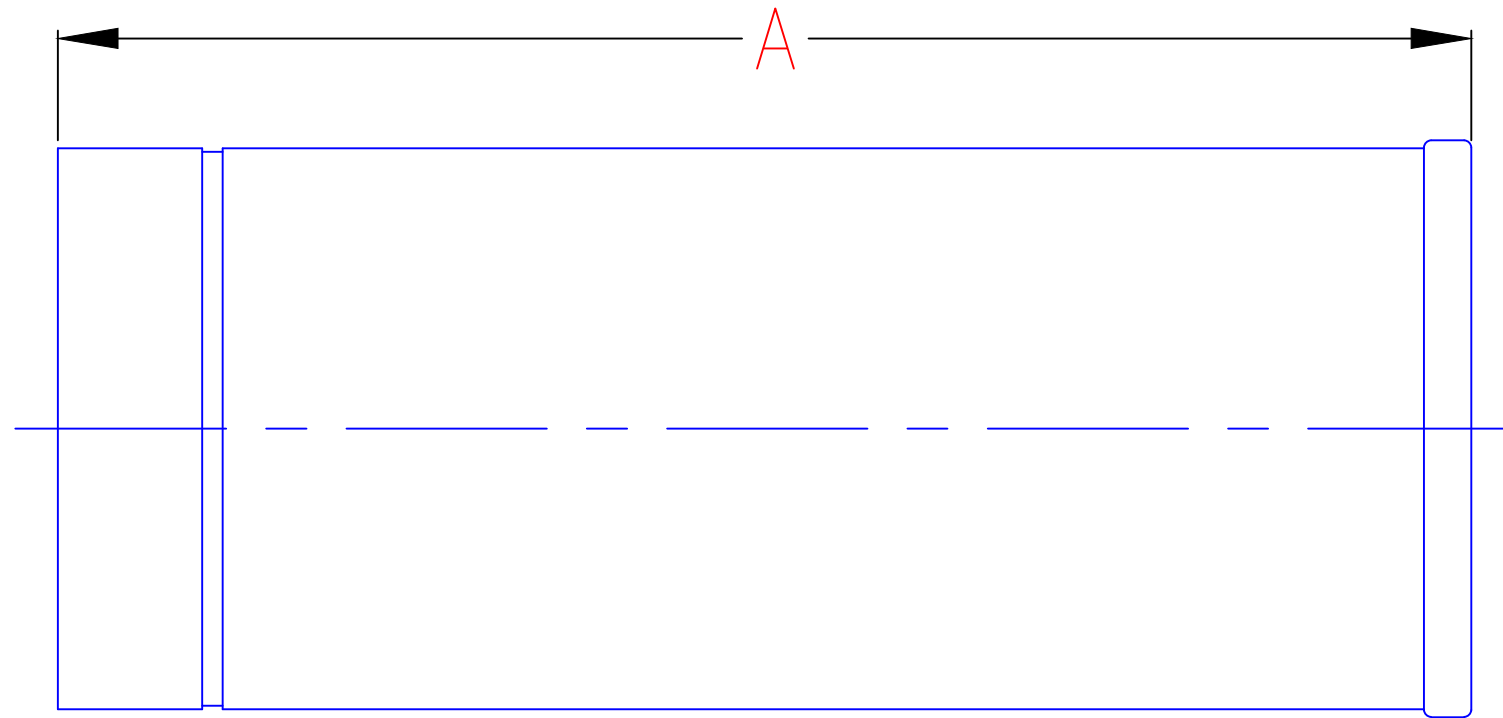


SIZE	A
1 1/2	6.00
2	6.00
3	6.00
4	6.00
6	6.00

EDP. NO.	DWG. NO.	REV
-	-	0


REF.		 BURLINGTON, ONTARIO, CANADA	PART NO.				
ISSUED			-				
SCALE	1 : 1		TITLE				
PLOT	NTS		DHA-Duriron Iron Hub X MJ Adapter				
PROD.			MATERIAL				
LIMITS UNLESS SPECIFIED FRACTIONAL : .015 DECIMAL .XXX : .005 ANGULAR : .5° DO NOT SCALE DRAWING		FINISH ETC.		BY	DRAWN	CHECKED	APPR'VD
				NAME	VASIM	-	B.GHALY
				DATE	8/2/16	-	8/2/16
PRINTS BEFORE FEB 08, 2016 ARE VOID							

NO.	ALTERATIONS	DATE	BY	CHK'D

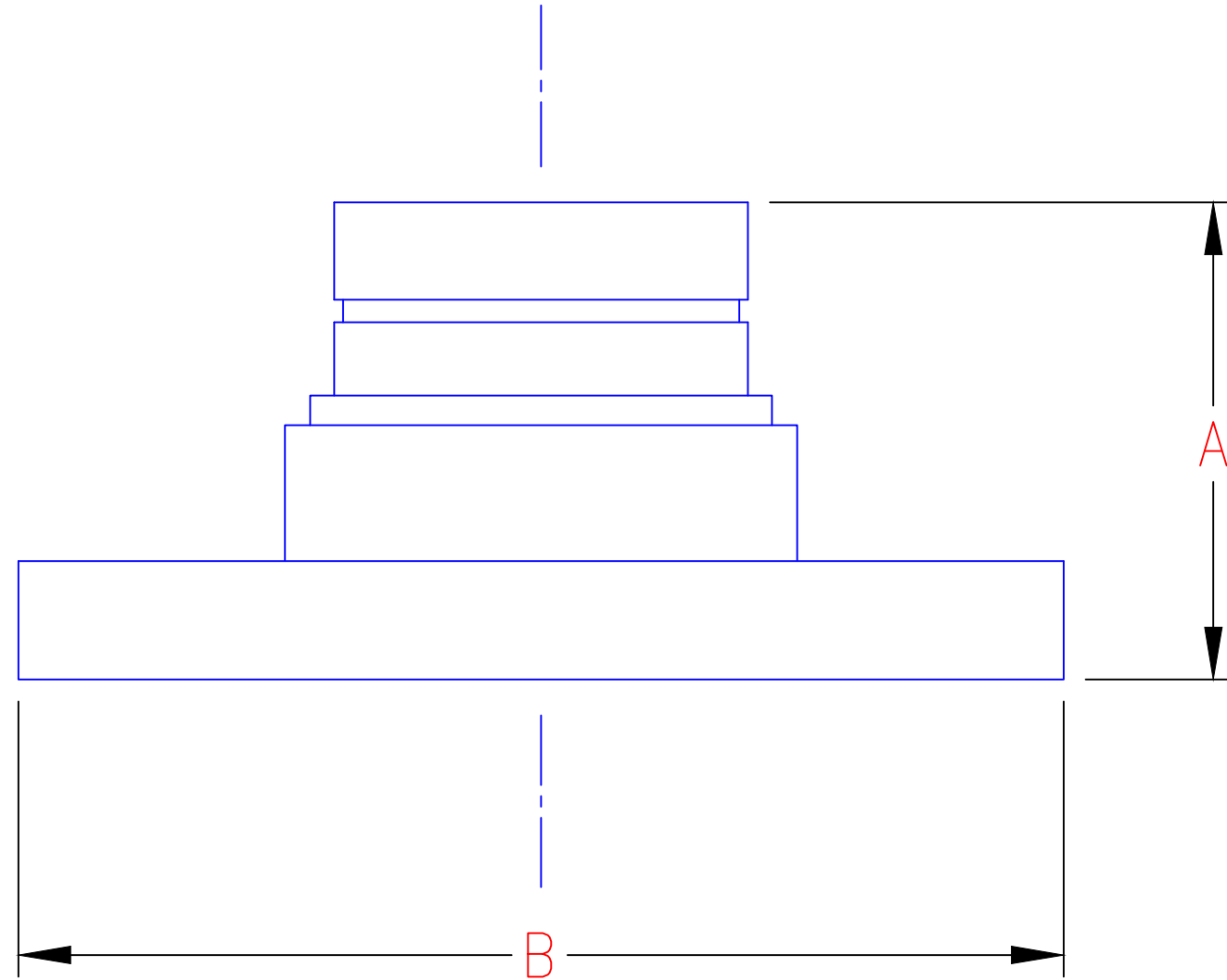


SIZE	A
1 1/2	6.00
2	6.00
3	6.00
4	6.00
6	6.00

EDP. NO.	DWG. NO.	REV
-	-	0

REF.		 BURLINGTON, ONTARIO, CANADA	PART NO.			
ISSUED			-			
SCALE	1 : 1	TITLE CIA-Cast Iron Hub X MJ Adapter				
PLOT	NTS	MATERIAL				
PROD.		FINISH ETC.				
LIMITS UNLESS SPECIFIED FRACTIONAL : .015 DECIMAL .XXX : .005 ANGULAR : .5° DO NOT SCALE DRAWING		BY	DRAWN	CHECKED	APPRV'D	
		NAME	VASIM	-	B.GHALY	
		DATE	13/1/16	-	13/1/16	
		PRINTS BEFORE JAN 13, 2016 ARE VOID				

NO.	ALTERATIONS	DATE	BY	CHK'D

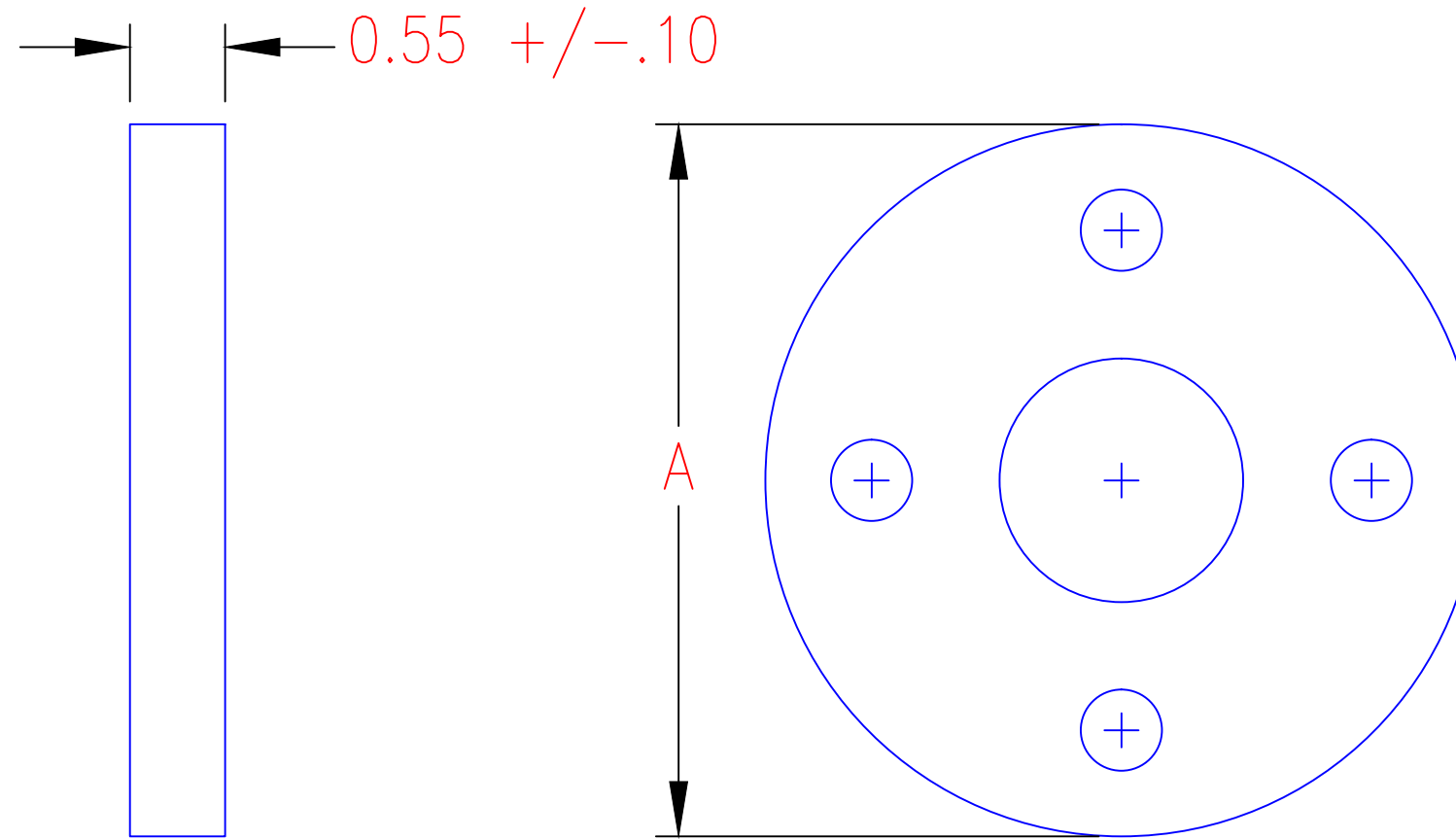


SIZE	A	B	150#ANSI Pattern Holes
1 1/2	2.18	5.00	4
2	2.67	4.75	4
3	3.37	7.50	4
4	3.33	9.04	8
6	4.82	10.75	8

EDP. NO. -	DWG. NO. -	REV 0
---------------	---------------	----------


REF.		 BURLINGTON, ONTARIO, CANADA	PART NO. -			
ISSUED			TITLE FLG-Flange			
SCALE	1 : 1		MATERIAL -			
PLOT	NTS		FINISH ETC. -			
PROD.			BY	DRAWN	CHECKED	APPR'VD
<small>LIMITS UNLESS SPECIFIED          FRACTIONAL : .015          DECIMAL .XXX : .005          ANGULAR : .5°          DO NOT SCALE DRAWING</small>			NAME	VASIM	-	B.GHALY
			DATE	14/1/16	-	14/1/16
PRINTS BEFORE JAN 14, 2016 ARE VOID						

NO.	ALTERATIONS	DATE	BY	CHK'D



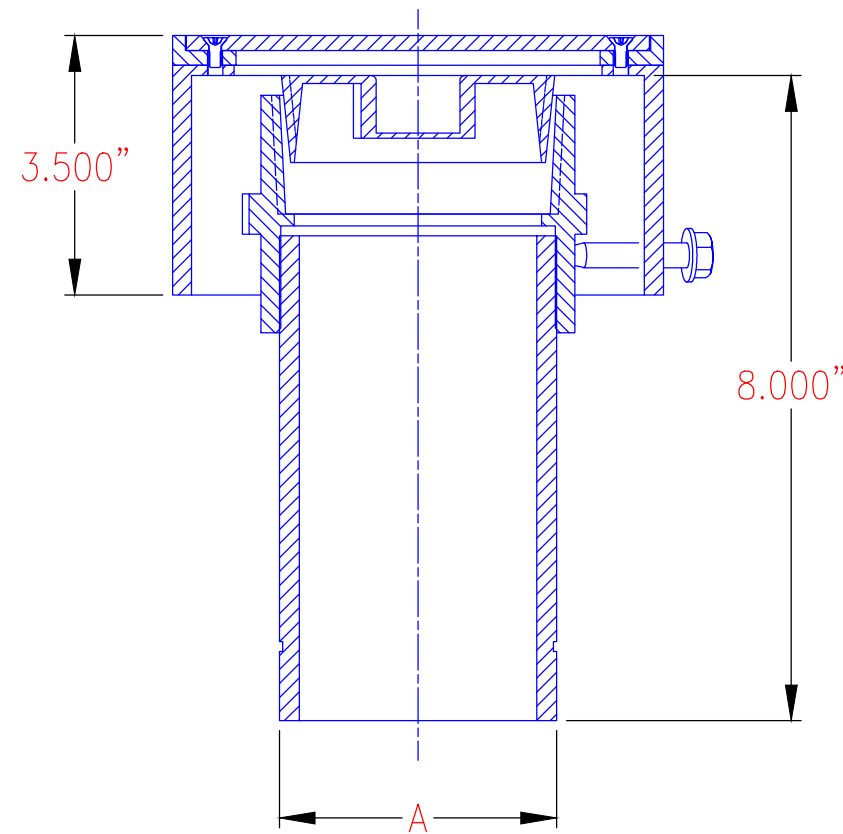
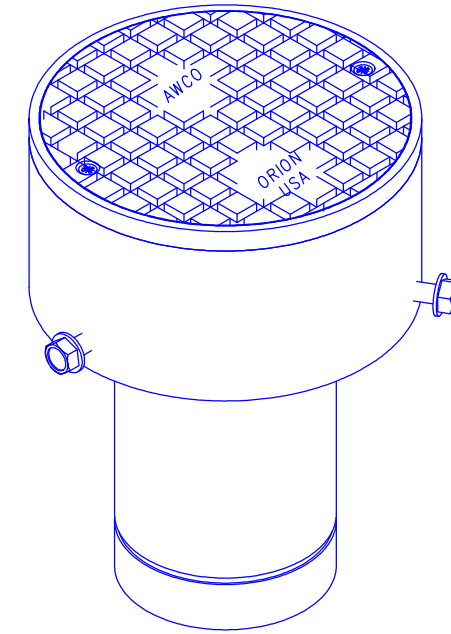
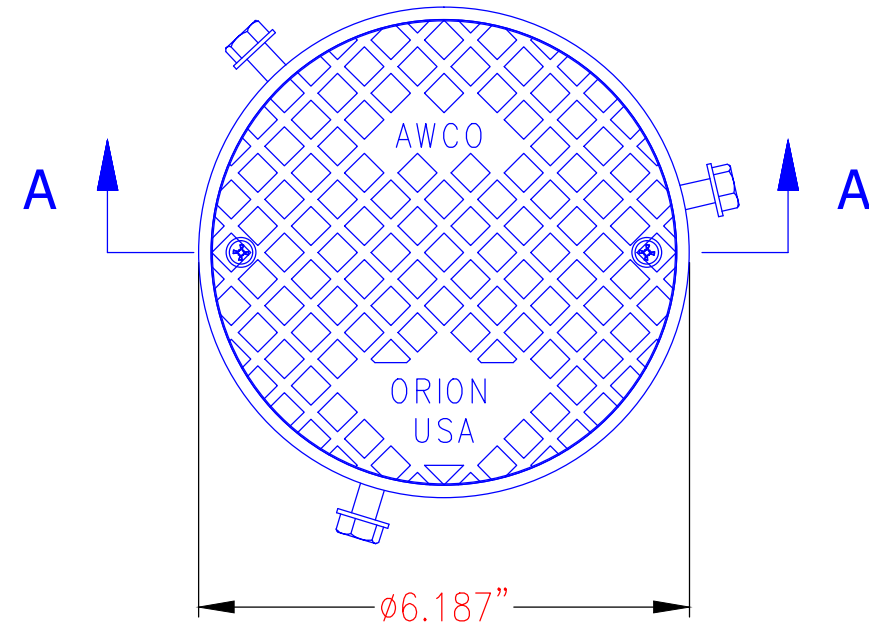
SIZE	A	150#ANSI Pattern Holes
1 1/2	5.00	4
2	6.00	4
3	7.50	4
4	9.00	8
6	11.00	8

EDP. NO.	DWG. NO.	REV
-	-	0

REF.		 BURLINGTON, ONTARIO, CANADA	PART NO.				
ISSUED			-				
SCALE	1 : 1		TITLE BACK UP-Backup Ring				
PLOT	NTS		-				
PROD.			-				
LIMITS UNLESS SPECIFIED FRACTIONAL : .015 DECIMAL : .005 ANGULAR : .5° DO NOT SCALE DRAWING		MATERIAL	-	BY	DRAWN	CHECKED	APPR'VD
		FINISH ETC.	-	NAME	VASIM	-	B.GHALY
				DATE	8/2/16	-	8/2/16
PRINTS BEFORE FEB 08, 2016 ARE VOID							

NO.	ALTERATIONS	DATE	BY	CHK'D

FCO-RND



SECTION A-A

PIPE SIZE	A
3	3.500"
4	4.500"

MAXIMUM TOP ADJUSTMENT 1 1/2"

- \* ADJUSTABLE TOP: NICKEL BRONZE/BRUSHED BRONZE
- \* CLEAN-OUT BODY: PP/PVDF

EDP. NO.	DWG. NO.	REV
-	-	0

REF.	ISSUED	SCALE	PLOT	PROD.	MATERIAL	FINISH ETC.	BY	DRAWN	CHECKED	APPR'D
		1 : 1	NTS		-		VASIM	-	-	B.GHALY
							27/9/16	-	-	27/9/16
LIMITS UNLESS SPECIFIED FRACTIONAL : .015 DECIMAL : .005 ANGULAR : .5° DO NOT SCALE DRAWING										
PRINTS BEFORE SEP 27, 2016 ARE VOID										

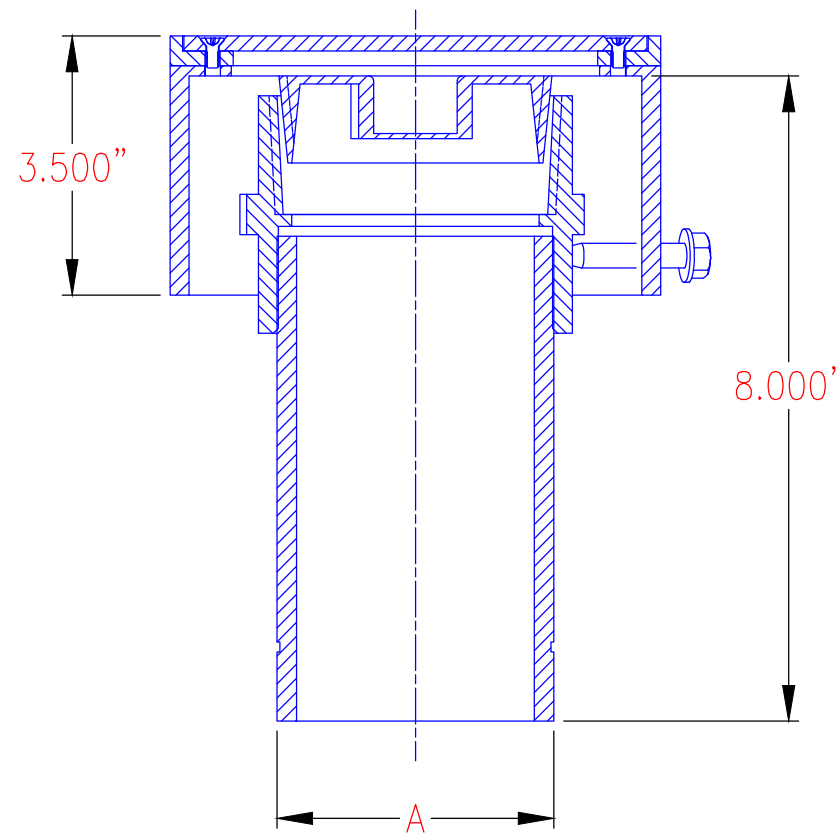
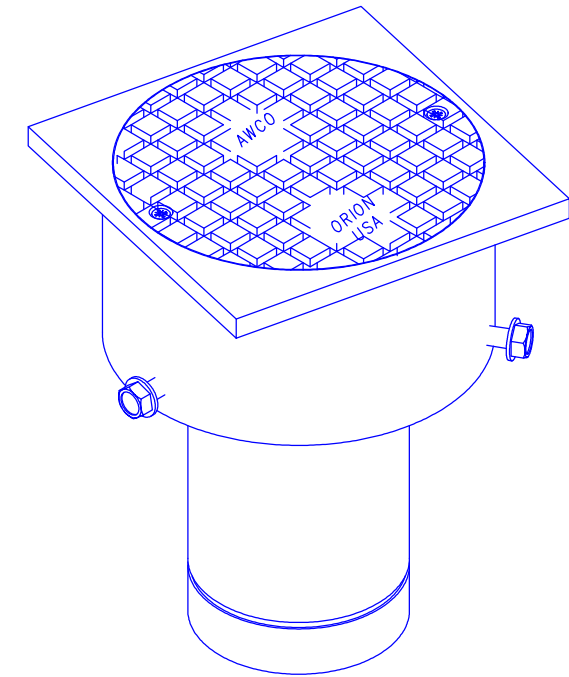
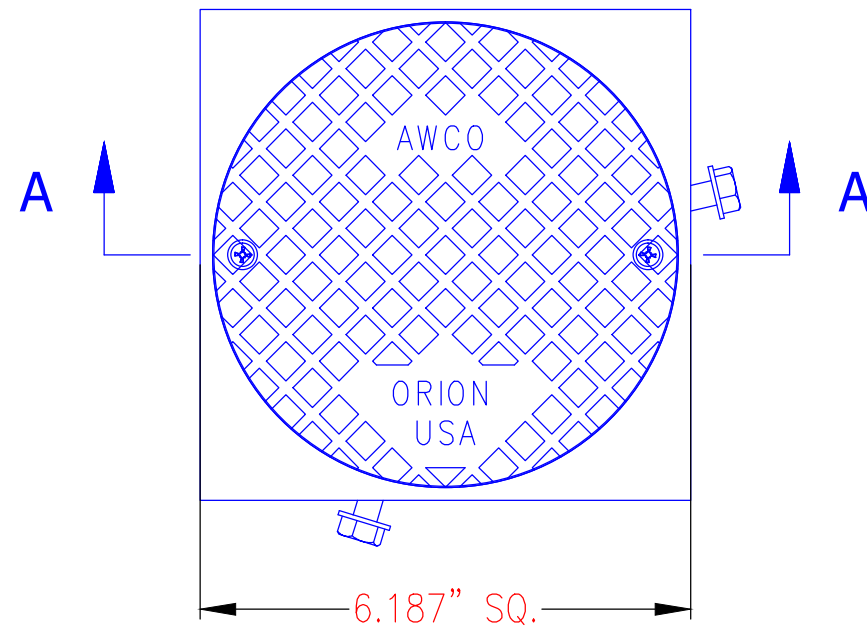
**WATTS**  
BURLINGTON, ONTARIO, CANADA

TITLE ACID WASTE FLOOR RND CLEAN-OUT

PART NO. -

NO.	ALTERATIONS	DATE	BY	CHK'D

FCO-SQ




SECTION A-A

MAXIMUM TOP ADJUSTMENT 1 1/2"

- \* ADJUSTABLE TOP: NICKEL BRONZE/BRUSHED BRONZE
- \* CLEAN-OUT BODY: PP/PVDF

PIPE SIZE	A
3	3.500"
4	4.500"

EDP. NO.	DWG. NO.	REV
-	-	0

REF.		 BURLINGTON, ONTARIO, CANADA	PART NO.			
ISSUED			-			
SCALE	1 : 1	TITLE ACID WASTE FLOOR SQ CLEAN-OUT				
PLOT	NTS					
PROD.						
MATERIAL		BY		DRAWN	CHECKED	APPR'VD
FINISH ETC.		NAME		VASIM	-	B.GHALY
		DATE		27/9/16	-	27/9/16
LIMITS UNLESS SPECIFIED FRACTIONAL : .015 DECIMAL : .005 ANGULAR : .5' DO NOT SCALE DRAWING						
PRINTS BEFORE SEP 27, 2016 ARE VOID						