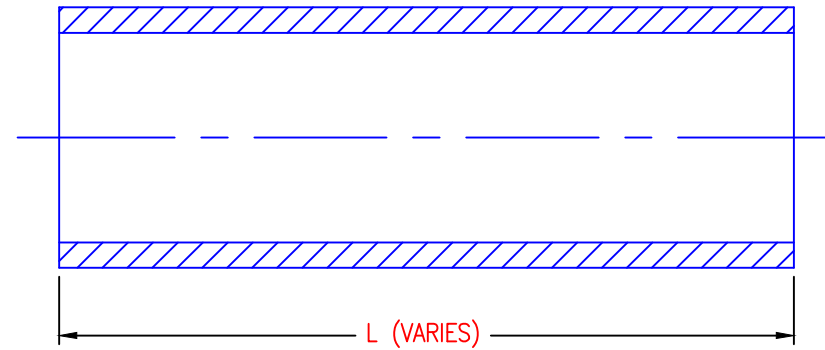
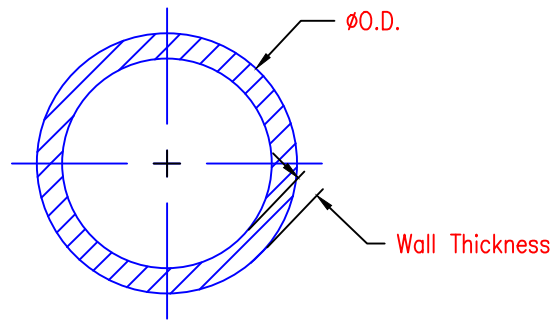


NO.	ALTERATIONS	DATE	BY	CHK'D



Schedule 40	Average OD	Wall Thickness
1 ½	1.900	0.145
2	2.375	0.154
3	3.500	0.216
4	4.500	0.237
6	6.625	0.280
8	8.625	0.322
10	10.750	0.365
12	12.750	0.406

Schedule 80	Average OD	Wall Thickness
1 ½	1.900	0.200
2	2.375	0.218
3	3.500	0.300
4	4.500	0.337
6	6.625	0.432
8	8.625	0.500
10	10.750	0.593
12	12.750	0.687

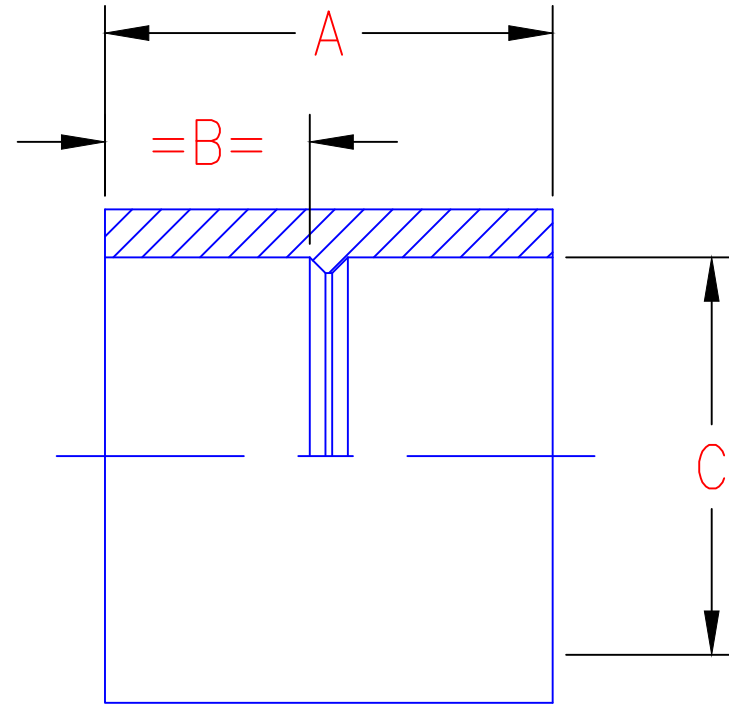
Large Diameter	Average OD	Wall Thickness
14	13.980	0.423
16	15.750	0.477
18	17.750	0.538

EDP. NO. -	DWG. NO.	REV 0
---------------	----------	----------

REF.		 BURLINGTON, ONTARIO, CANADA	PART NO. -				
ISSUED			TITLE PIPE (ACID WASTE PIPING SYSTEMS)				
SCALE	1 : 1						
PLOT	NTS						
PROD.		MATERIAL		BY	DRAWN	CHECKED	APPR'D
		FINISH ETC.		NAME	VASIM	-	B.GHALY
				DATE	18/1/16	-	18/1/16
				PRINTS BEFORE JAN 18, 2016, ARE VOID			


LIMITS UNLESS SPECIFIED
 FRACTIONAL ± .015
 DECIMAL/DIGIT ± .005
 ANGULAR ± .5°
 DO NOT SCALE DRAWING

NO.	ALTERATIONS	DATE	BY	CHK'D

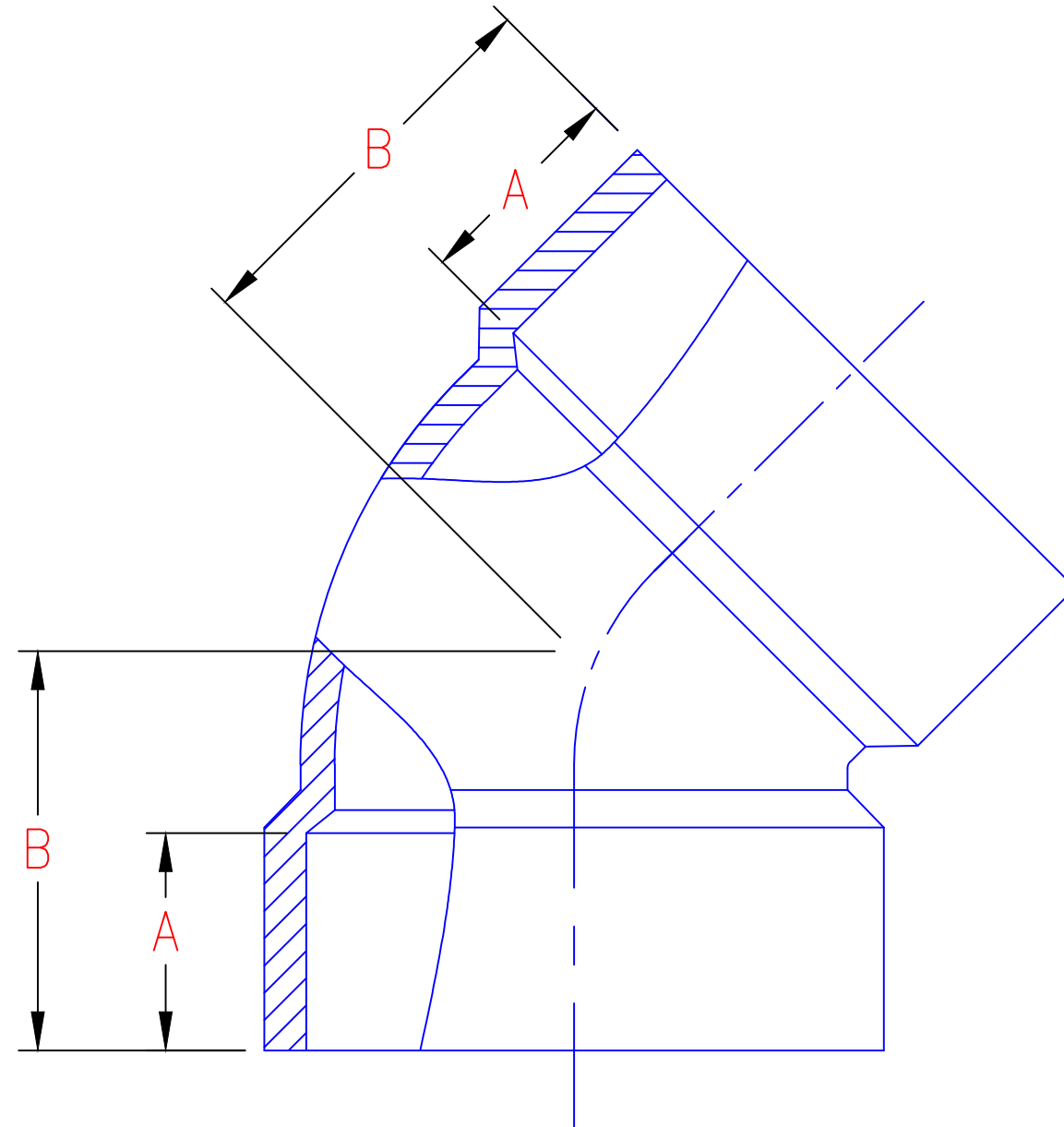


SIZE	A	B	C
1 1/2	2.05	0.90	1.87
2	2.06	0.92	2.37
3	3.00	1.35	3.47
4	3.00	1.37	4.45
6	4.18	2.00	6.56

EDP. NO.	DWG. NO.	REV
-	-	0


REF.		 BURLINGTON, ONTARIO, CANADA	PART NO.			
ISSUED			-			
SCALE	1 : 1	TITLE CLS-Coupling				
PLOT	NTS	-				
PROD.		MATERIAL		-		
<small>LIMITS UNLESS SPECIFIED FRACTIONAL : .015 DECIMAL .XXX : .005 ANGULAR : .5° DO NOT SCALE DRAWING</small>		FINISH ETC.		-		
		BY	DRAWN	CHECKED	APPR'VD	
		NAME	VASIM	-	B.GHALY	
		DATE	13/1/16	-	13/1/16	
PRINTS BEFORE JAN 13, 2016 ARE VOID						

NO.	ALTERATIONS	DATE	BY	CHK'D

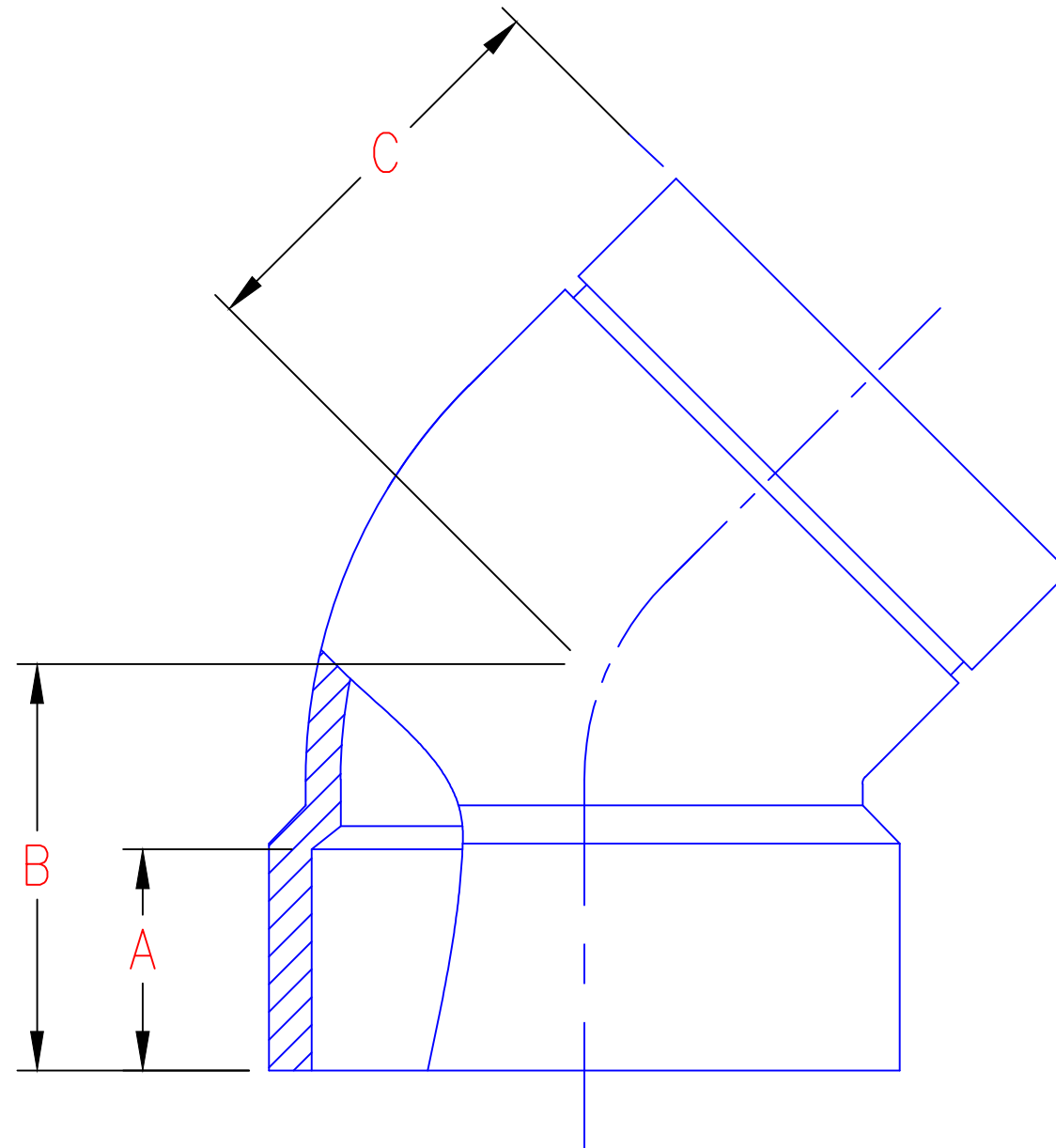


SIZE	A	B
1 1/2	0.90	1.65
2	0.92	1.78
3	1.39	2.55
4	1.52	3.03
6	2.25	4.25

EDP. NO.	DWG. NO.	REV
-	-	0


REF.		 BURLINGTON, ONTARIO, CANADA	PART NO.			
ISSUED			-			
SCALE	1 : 1	TITLE 45E-118 Bend				
PLOT	NTS	-				
PROD.		MATERIAL		-		
<small>LIMITS UNLESS SPECIFIED FRACTIONAL : .015 DECIMAL .XXX : .005 ANGULAR : .5° DO NOT SCALE DRAWING</small>		FINISH ETC.		-		
		BY	DRAWN	CHECKED	APPR'D	
		NAME	VASIM	-	B.GHALY	
		DATE	13/1/16	-	13/1/16	
PRINTS BEFORE JAN 13, 2016 ARE VOID						

NO.	ALTERATIONS	DATE	BY	CHK'D

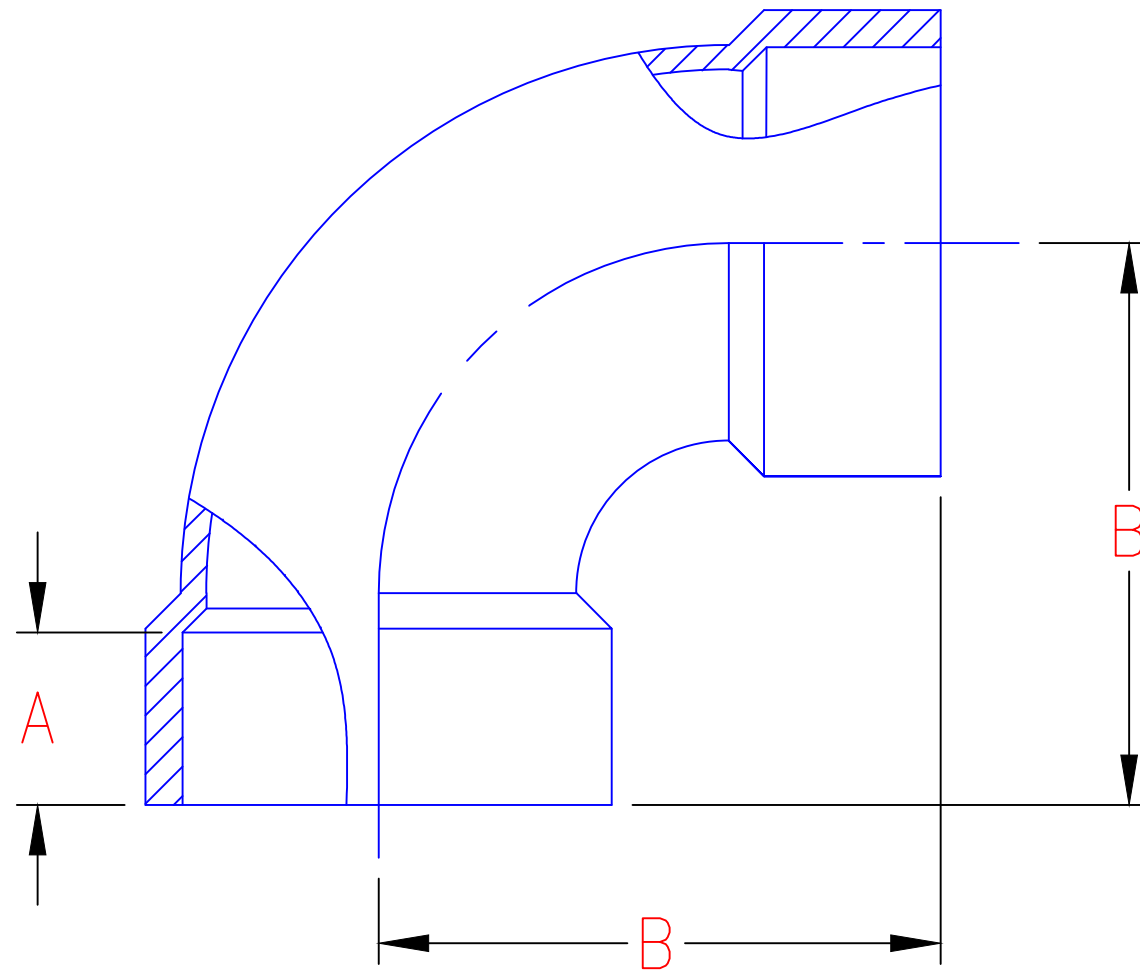


SIZE	A	B	C
1 1/2	0.88	1.63	1.48
2	0.90	1.75	1.57
3	1.39	2.59	2.59
4	1.68	3.03	3.03
6	2.25	4.20	4.20

EDP. NO.	DWG. NO.	REV
-	-	0

REF.		 BURLINGTON, ONTARIO, CANADA	PART NO.				
ISSUED			-				
SCALE	1 : 1		TITLE SS45E-Single Socket 1/8 Bend				
PLOT	NTS		-				
PROD.			-				
LIMITS UNLESS SPECIFIED FRACTIONAL : .015 DECIMAL : .005 ANGULAR : .5° DO NOT SCALE DRAWING		MATERIAL	-	BY	DRAWN	CHECKED	APPR'VD
		FINISH ETC.	-	NAME	VASIM	-	B.GHALY
				DATE	13/1/16	-	13/1/16
PRINTS BEFORE JAN 13, 2016 ARE VOID							

NO.	ALTERATIONS	DATE	BY	CHK'D

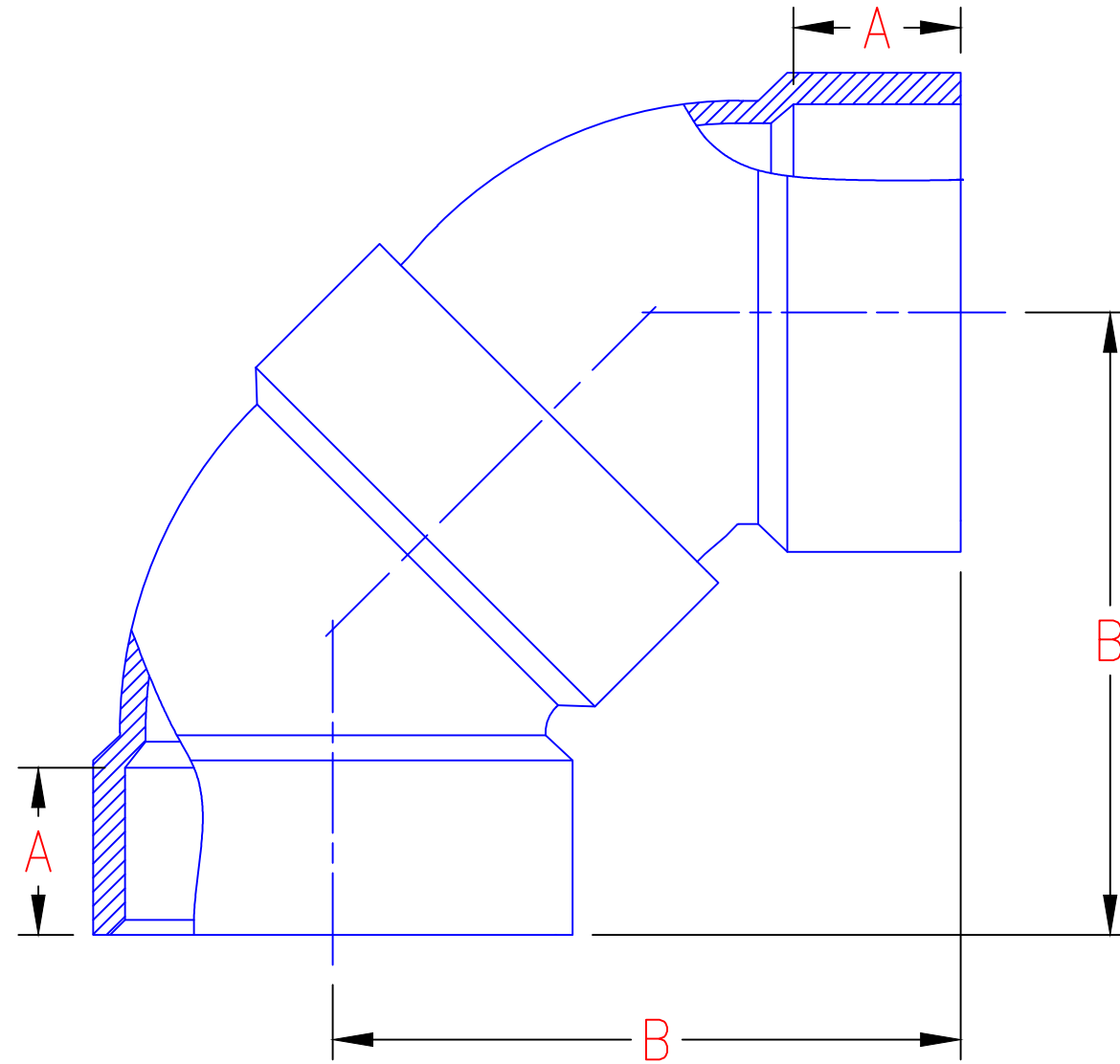


SIZE	A	B
1 1/2	0.88	2.54
2	1.00	3.41
3	1.44	4.53
4	1.62	5.25
6	2.11	7.21

EDP. NO.	DWG. NO.	REV
-		0


REF.	ISSUED	WATTS BURLINGTON, ONTARIO, CANADA		PART NO.	
SCALE	1 : 1	TITLE 90E-114 Bend			
PLOT	NTS	-			
PROD.		MATERIAL	BY	DRAWN	CHECKED
LIMITS UNLESS SPECIFIED FRACTIONAL : .015 DECIMAL : .005 ANGULAR : .5° DO NOT SCALE DRAWING		FINISH ETC.	NAME	VASIM	-
			DATE	13/1/16	-
			APPR'D	B.GHALY	13/1/16
PRINTS BEFORE JAN 13, 2016 ARE VOID					

NO.	ALTERATIONS	DATE	BY	CHK'D

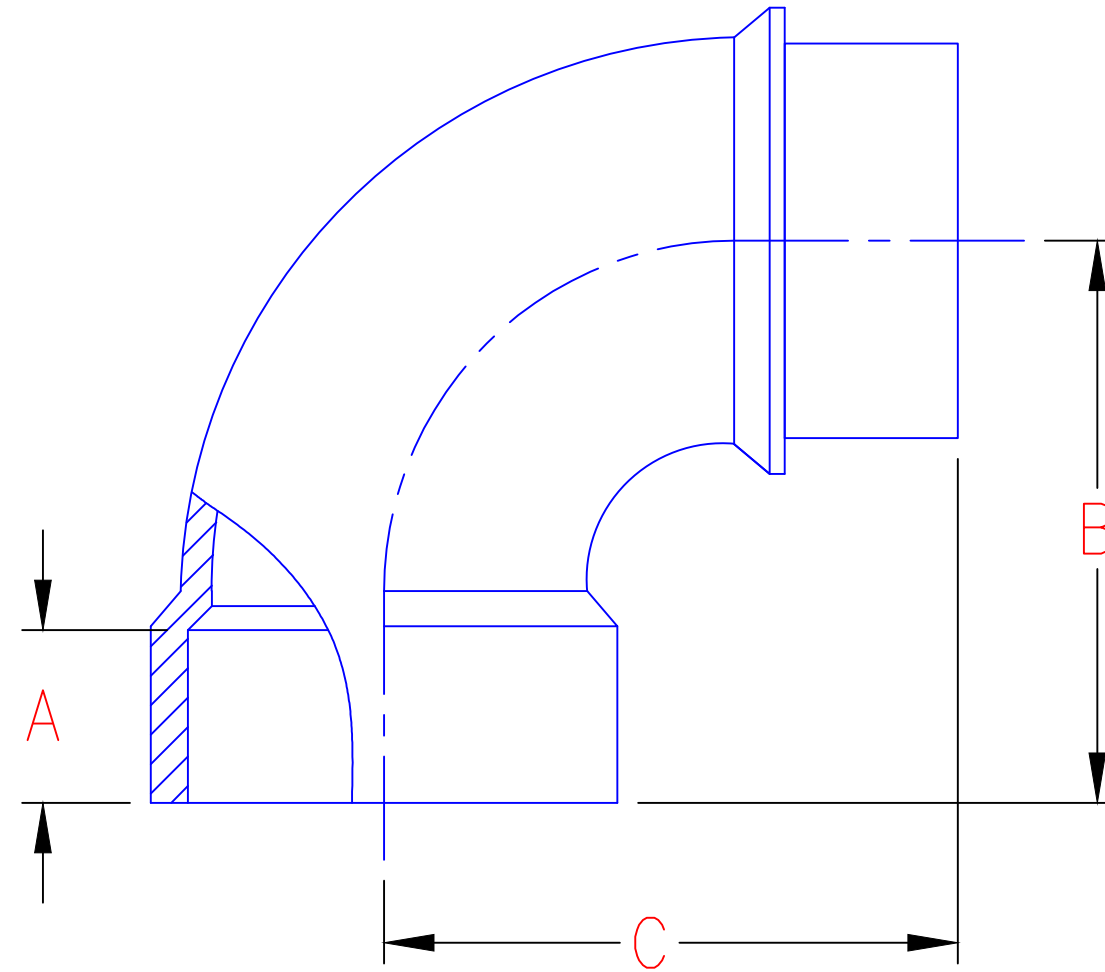


SIZE	A	B
1 1/2	0.92	3.20
2	0.92	3.49
3	1.39	5.20
4	1.68	6.23

EDP. NO.	DWG. NO.	REV
-	-	0


REF.		 BURLINGTON, ONTARIO, CANADA	PART NO.			
ISSUED			-			
SCALE	1 : 1	TITLE LS90E-Long Sweep 1/4 Bend.dwg				
PLOT	NTS	-				
PROD.		MATERIAL		-		
<small>LIMITS UNLESS SPECIFIED FRACTIONAL ± .015 DECIMAL .XXX ± .005 ANGULAR ± .5° DO NOT SCALE DRAWING</small>		FINISH ETC.		-		
		BY	DRAWN	CHECKED	APPR'VD	
		NAME	VASIM	-	B.GHALY	
		DATE	8/2/16	-	8/2/16	
PRINTS BEFORE FEB 08, 2016 ARE VOID						

NO.	ALTERATIONS	DATE	BY	CHK'D

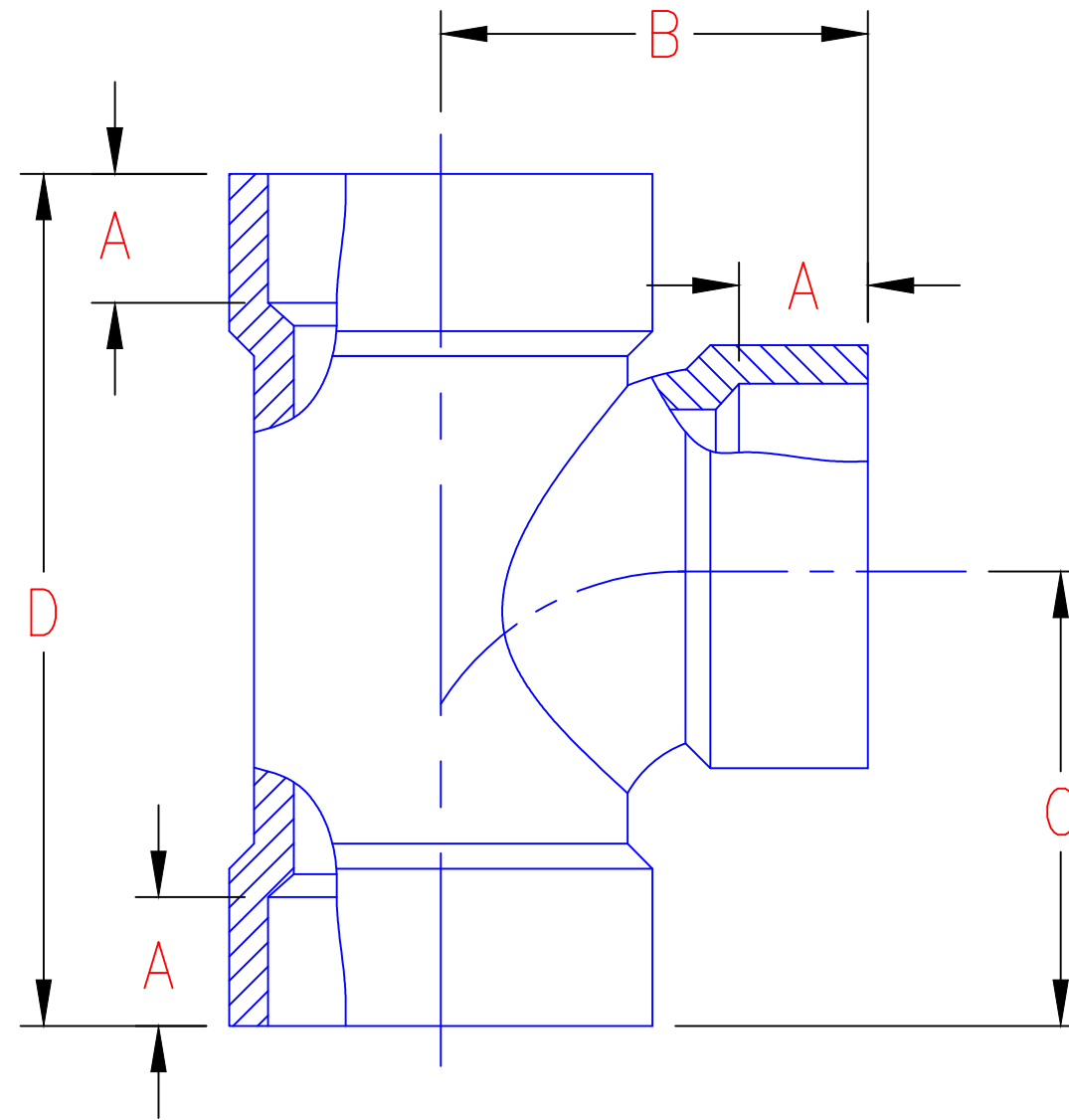


SIZE	A	B	C
1 1/2	0.91	2.55	2.55
2	1.00	3.37	3.37
3	1.42	4.50	4.50
4	1.35	5.25	5.21
6	2.34	7.00	7.00

EDP. NO.	DWG. NO.	REV
-		0


REF.		 BURLINGTON, ONTARIO, CANADA	PART NO.			
ISSUED			TITLE SS90E-Single Socket 1/4 Bend			
SCALE	1 : 1	-				
PLOT	NTS	-				
PROD.		MATERIAL	BY	DRAWN	CHECKED	APPR'D
LIMITS UNLESS SPECIFIED FRACTIONAL : .015 DECIMAL : .005 ANGULAR : .5° DO NOT SCALE DRAWING		FINISH ETC.	NAME	VASIM	-	B.GHALY
			DATE	13/1/16	-	13/1/16
PRINTS BEFORE JAN 13, 2016 ARE VOID						

NO.	ALTERATIONS	DATE	BY	CHK'D

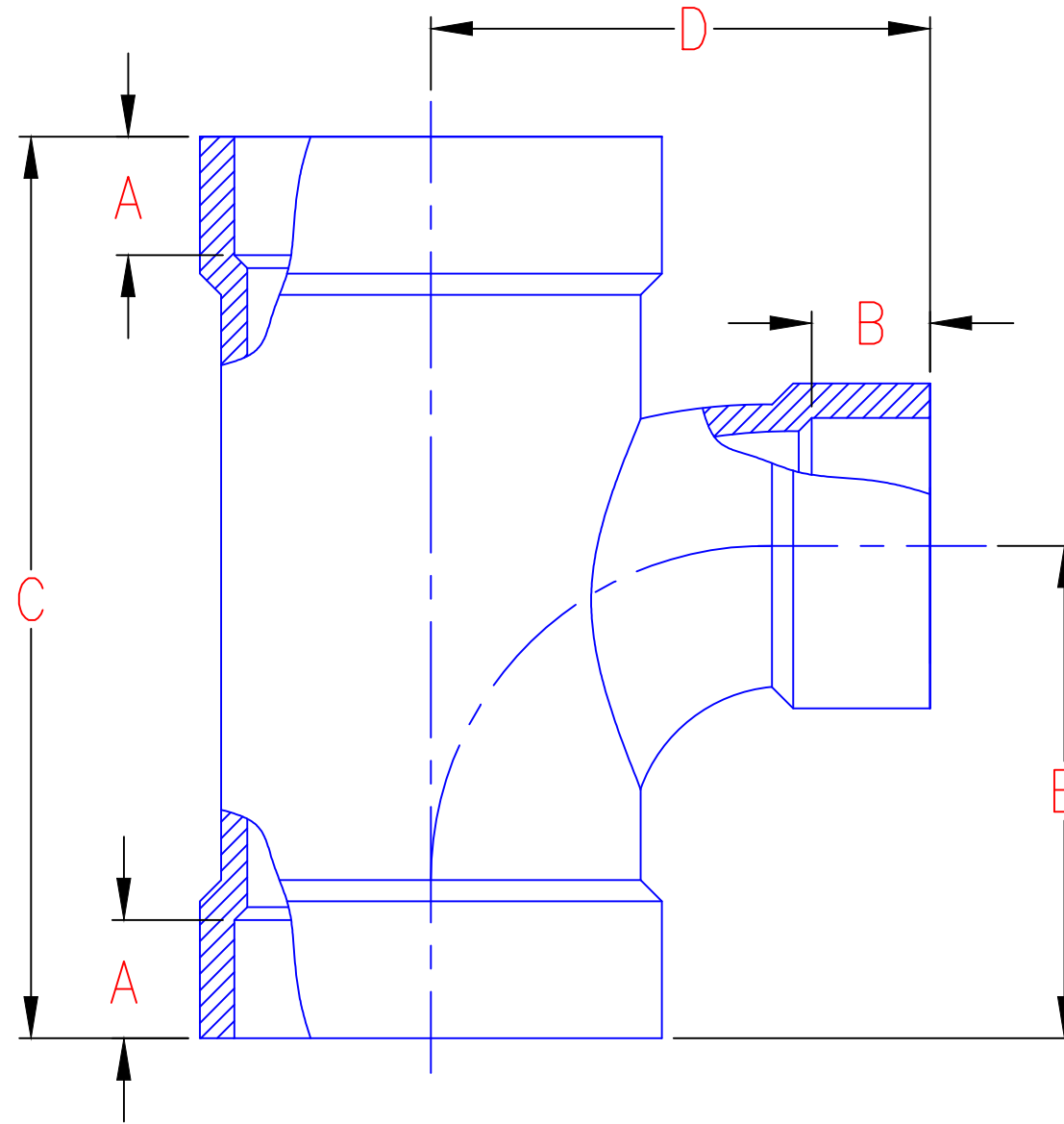


SIZE	A	B	C	D
1 1/2	0.79	2.30	2.55	4.62
2	1.00	3.38	3.38	6.15
3	1.23	4.27	4.25	7.60
4	1.31	5.25	5.35	9.75

EDP. NO.	DWG. NO.	REV
-	-	0


REF.		 BURLINGTON, ONTARIO, CANADA	PART NO.				
ISSUED			-				
SCALE	1 : 1		TITLE 90T-Sanitary Tee				
PLOT	NTS		-				
PROD.		MATERIAL	-	BY	DRAWN	CHECKED	APPR'D
<small>LIMITS UNLESS SPECIFIED FRACTIONAL : .015 DECIMAL .XXX : .005 ANGULAR : .5° DO NOT SCALE DRAWING</small>		FINISH ETC.		NAME	VASIM	-	B.GHALY
				DATE	13/1/16	-	13/1/16
PRINTS BEFORE JAN 13, 2016 ARE VOID							

NO.	ALTERATIONS	DATE	BY	CHK'D

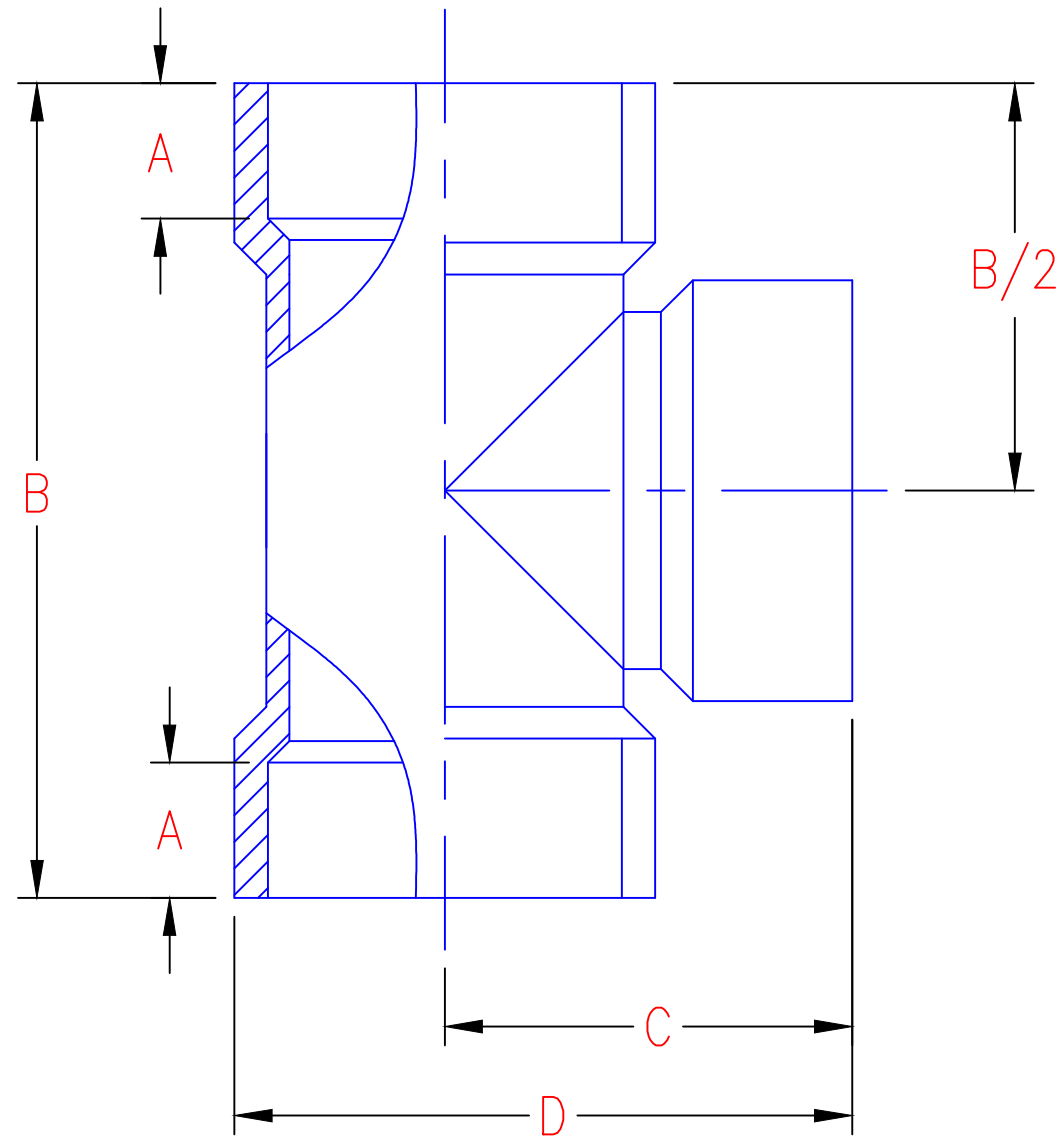


SIZE	A	B	C	D	E
2X1 1/2	1.05	0.80	5.17	2.74	2.68
3X 1 1/2	1.51	0.83	6.70	3.20	3.45
3X2	1.36	0.92	9.88	4.59	5.10
4X1 1/2	1.31	0.80	9.75	7.13	5.35
4X2	1.31	1.03	9.75	6.77	5.35
4X3	1.31	1.34	9.75	6.88	5.35


EDP. NO.	DWG. NO.	REV
-	-	0

REF.		 BURLINGTON, ONTARIO, CANADA	PART NO.			
ISSUED			-			
SCALE	1 : 1		TITLE R90T-Reducing Sanitary Tee			
PLOT	NTS		-			
PROD.			-			
MATERIAL		-	BY	DRAWN	CHECKED	APPR'D
FINISH ETC.		-	NAME	VASIM	-	B.GHALY
LIMITS UNLESS SPECIFIED			DATE	14/1/16	-	14/1/16
FRACTIONAL ± .015			PRINTS BEFORE JAN 14, 2016 ARE VOID			
DECIMAL .XXX ± .005						
ANGULAR ± .5°						
DO NOT SCALE DRAWING						

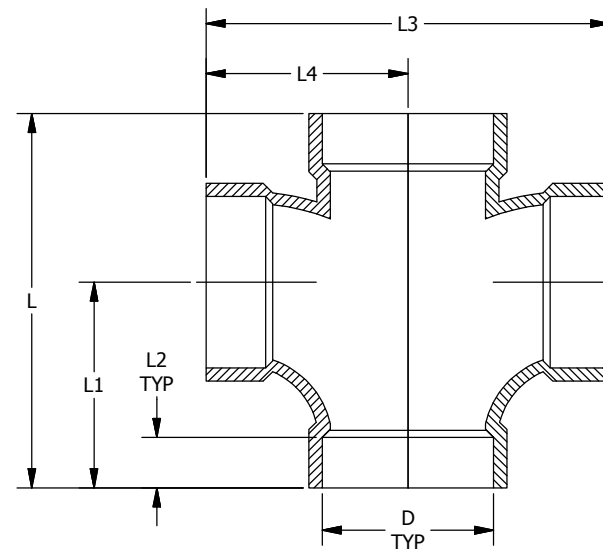
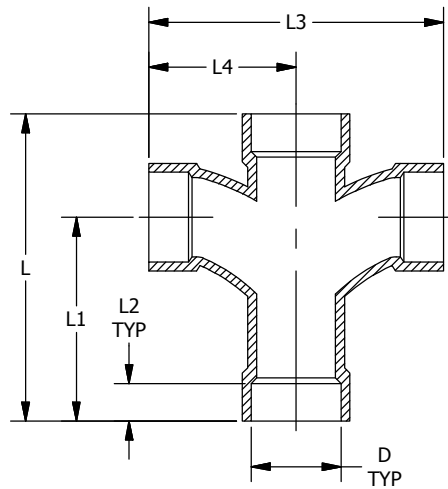
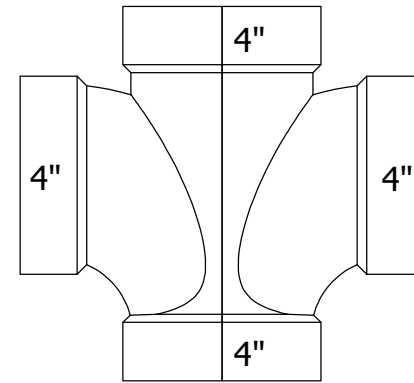
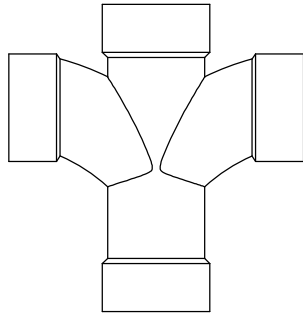
NO.	ALTERATIONS	DATE	BY	CHK'D



SIZE	A	B	C	D
1 1/2				
2	0.90	5.46	2.23	3.60
3	1.37	7.37	2.87	4.87
4	1.51	8.88	3.50	6.09
6	1.98	14.44	9.31	13.12

REF.		 BURLINGTON, ONTARIO, CANADA	PART NO.				
ISSUED			TITLE: COT-Clean Out Tee				
SCALE	1 : 1	MATERIAL		BY	DRAWN	CHECKED	APPR'VD
PLOT	NTS	FINISH ETC.		NAME	VASIM	-	B.GHALY
PROD.				DATE	13/1/16	-	13/1/16
<small>LIMITS UNLESS SPECIFIED FRACTIONAL : .015 DECIMAL .XXX : .005 ANGULAR : .5° DO NOT SCALE DRAWING</small>		<small>PRINTS BEFORE JAN 13, 2016 ARE VOID</small>					

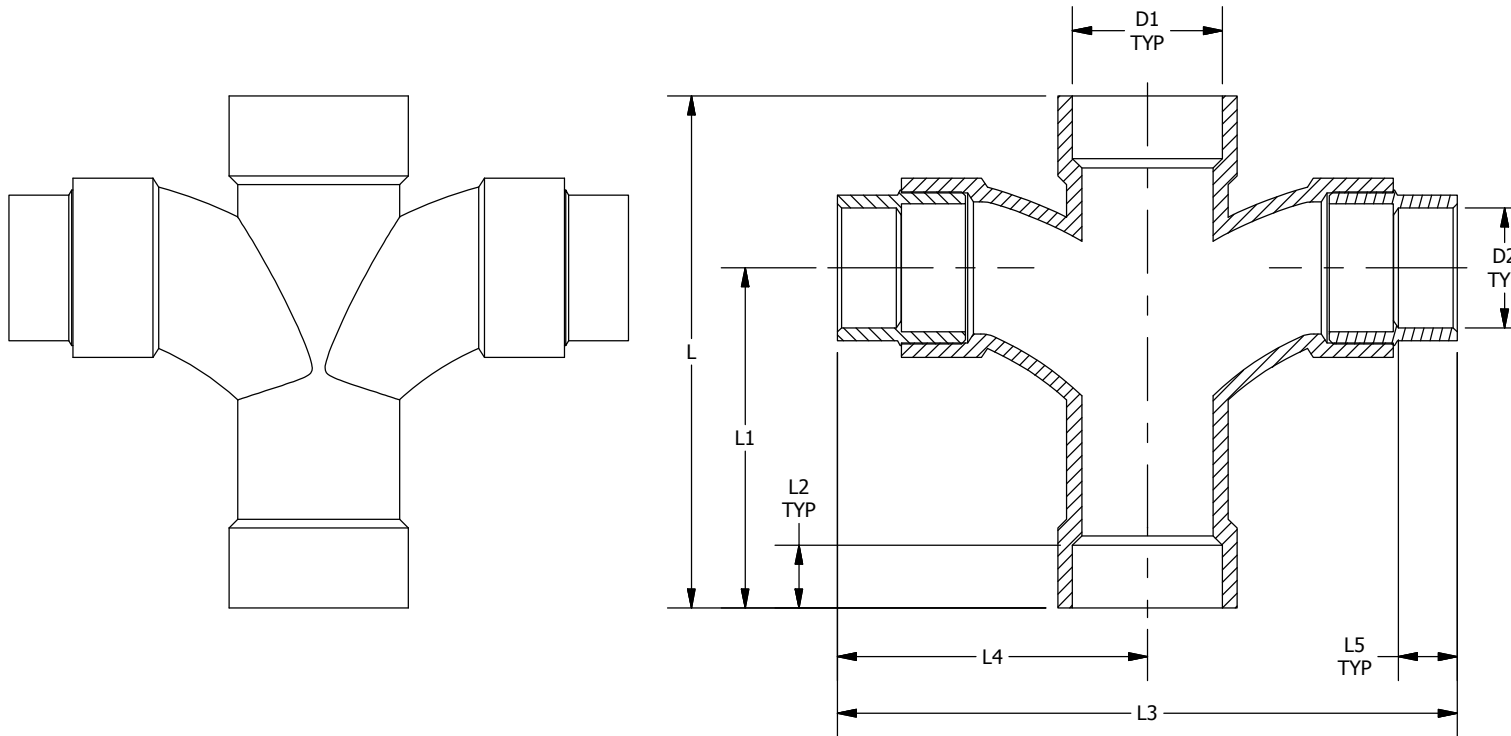
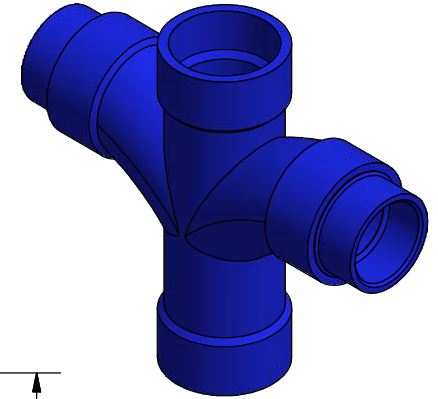
NO.	ALTERATIONS	DATE	BY	CHK'D



SIZE	PART NUMBER	D	L	L1	L2	L3	L4
2	712230	2.342	8.000	5.313	0.979	7.682	3.841
3	712330						
4	712456	4.466	9.750	5.353	1.313	10.511	5.256

EDP. NO.	-	WATTS ORION FITTINGS <small>BURLINGTON, ONTARIO, CANADA KANSAS CITY, KS 66115, USA</small>		PART NO.	-
DWG. NO.	-	TITLE SF BL D90T			
REV	0	MATERIAL 703000 VIRGIN 7823/TI4007 PPII RESIN 706006 FLAME RETARDANT - BLUE		WEIGHT -	
PLOT	NTS			BY	DRAWN
SCALE	1:1	MATERIAL PPII		NAME	J.YANG
COLOR	-			DATE	26/11/18
		PRINTS BEFORE		NOV 26, 2018	ARE VOID

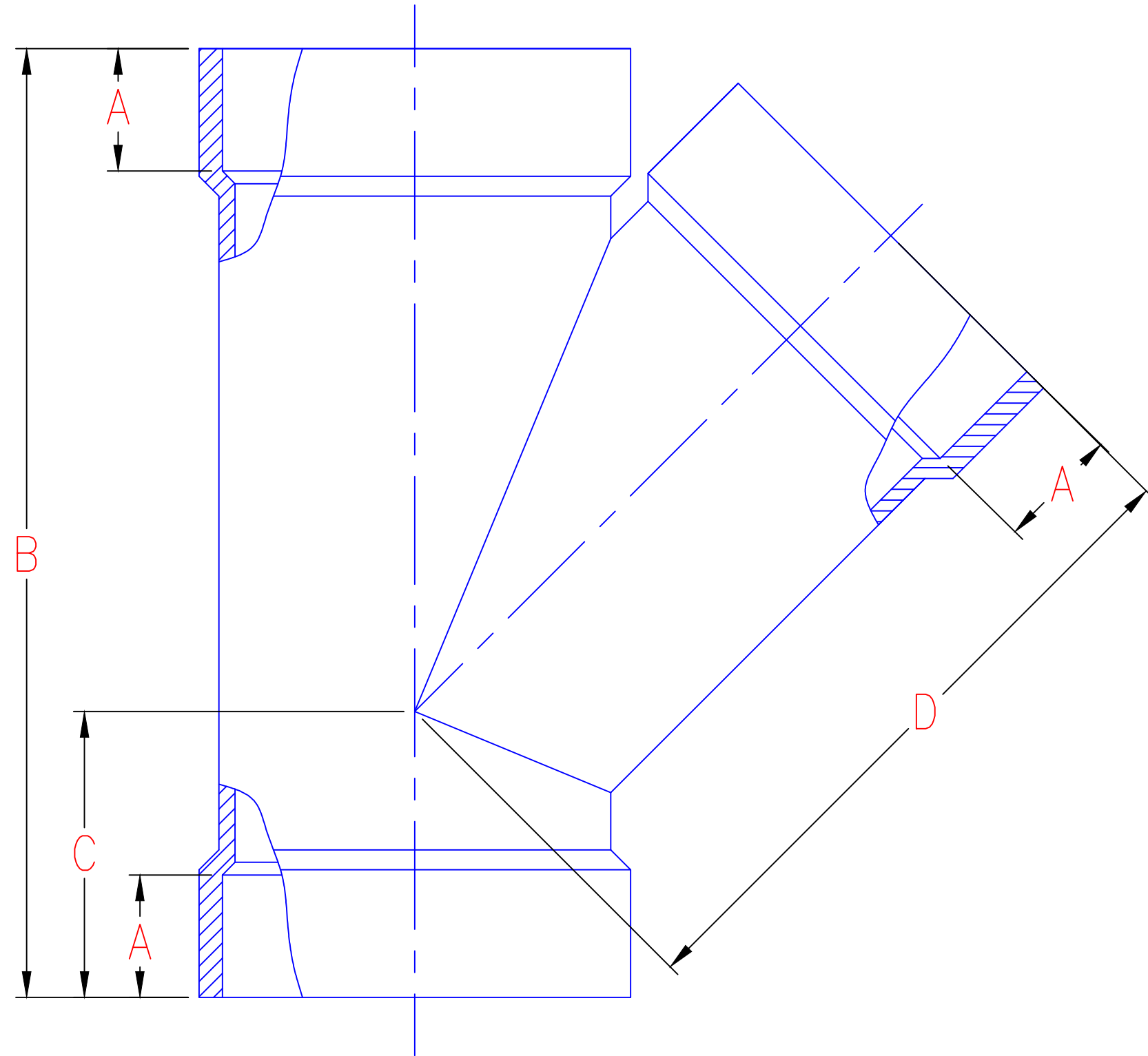
NO.	ALTERATIONS	DATE	BY	CHK'D



SIZE	PART NUMBER	D1	D2	L	L1	L2	L3	L4	L5
2 X 1 1/2	712238	2.342	1.875	8.000	5.313	0.979	9.682	4.841	0.920


EDP. NO.	-	WATTS ORION FITTINGS <small>BURLINGTON, ONTARIO, CANADA KANSAS CITY, KS 66115, USA</small>		PART NO.	-
DWG. NO.	-	TITLE		SF BL RD90T	
REV	0	MATERIAL		WEIGHT	
PLOT	NTS	703000 VIRGIN 7823/TI4007 PPII RESIN 706006 FLAME RETARDANT - BLUE		BY	
SCALE	1:1			NAME	
COLOR	-	MATERIAL		DATE	
		PPII		11/26/18	
				PRINTS BEFORE	
				NOV 26, 2018	
				ARE VOID	

NO.	ALTERATIONS	DATE	BY	CHK'D

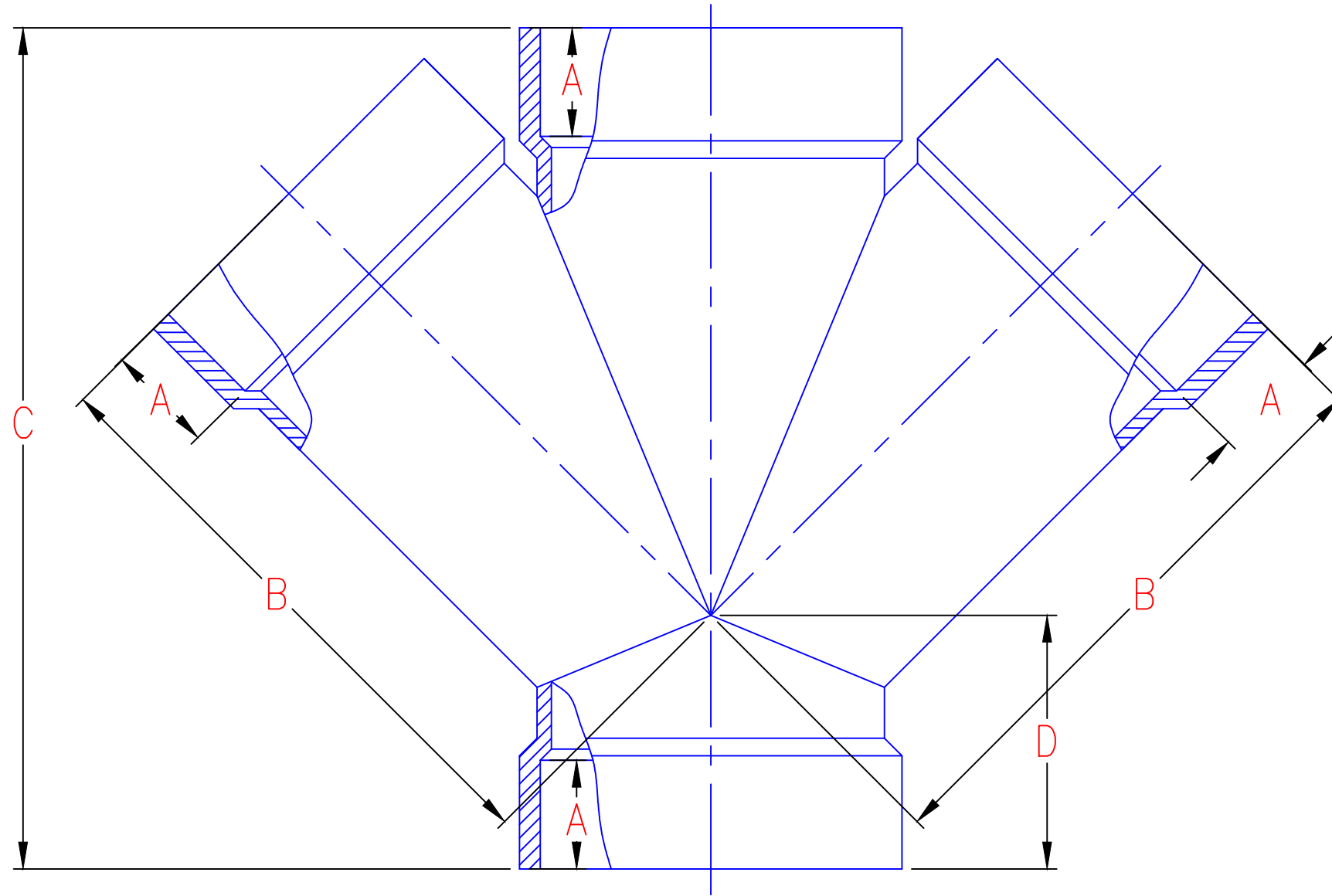


SIZE	A	B	C	D
1 1/2	0.81	5.38	1.54	3.88
2	1.01	7.20	2.28	4.95
3	1.32	8.18	2.18	6.00
4	1.38	11.00	3.28	7.73
6	2.00	14.62	3.75	13.85

EDP. NO.	DWG. NO.	REV
-		0


REF.		 BURLINGTON, ONTARIO, CANADA	PART NO.			
ISSUED			TITLE 45Y-Single Wye			
SCALE	1 : 1	MATERIAL				
PLOT	NTS	FINISH ETC.				
PROD.		BY	DRAWN	CHECKED	APPR'D	
<small>LIMITS UNLESS SPECIFIED FRACTIONAL : .015 DECIMAL : .005 ANGULAR : .5° DO NOT SCALE DRAWING</small>		NAME	VASIM	-	B.GHALY	
		DATE	13/1/16	-	13/1/16	
PRINTS BEFORE JAN 13, 2016 ARE VOID						

NO.	ALTERATIONS	DATE	BY	CHK'D

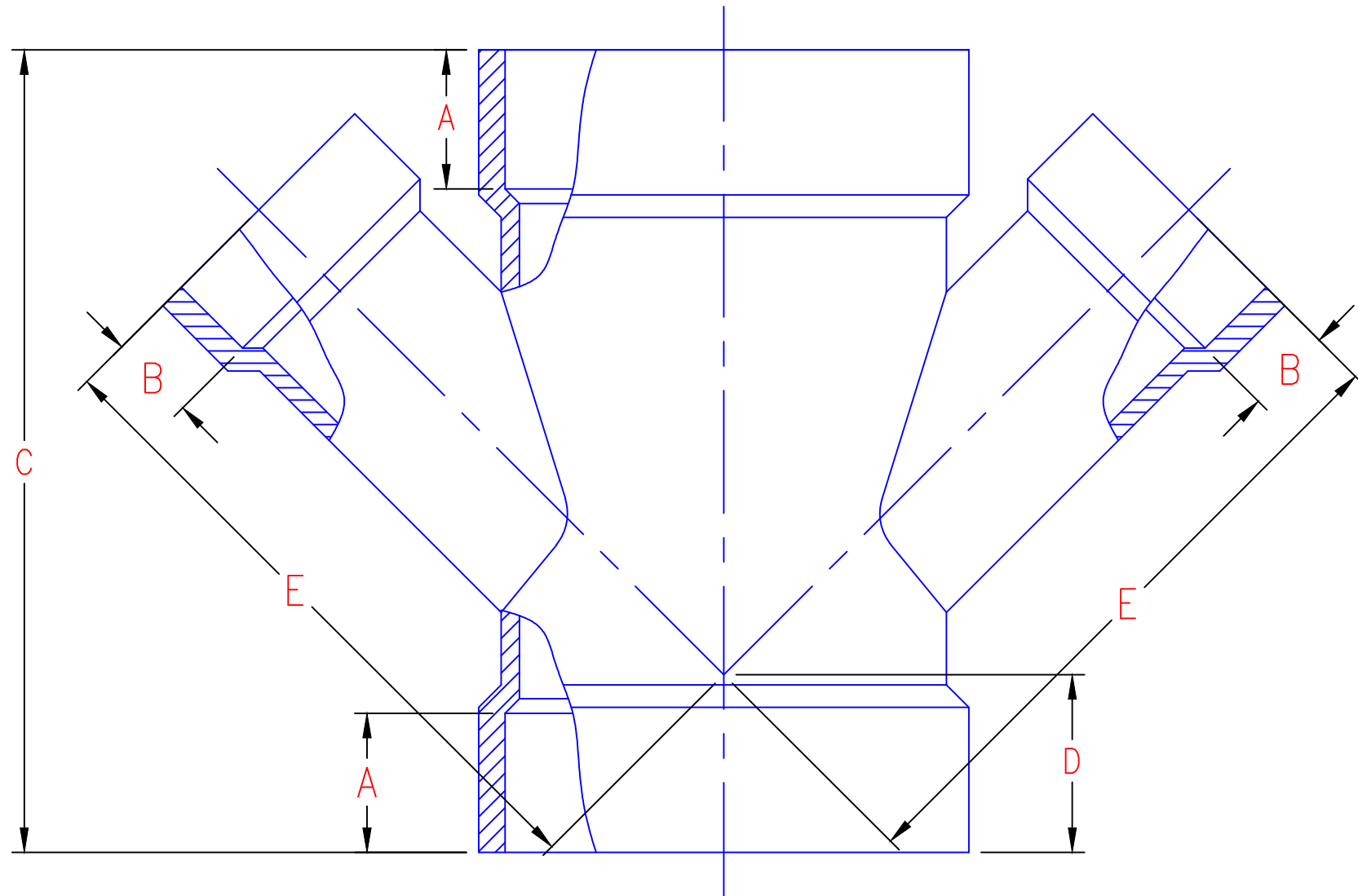


SIZE	A	B	C	D
1 1/2	0.57	3.13	4.37	1.25
2	0.85	4.04	5.70	1.66
3	1.36	8.12	12.05	3.92
4	1.39	9.52	14.85	5.14
6	1.88	13.67	14.75	3.75

EDP. NO.	DWG. NO.	REV
-		0


REF.		 BURLINGTON, ONTARIO, CANADA				PART NO.			
ISSUED						TITLE D45Y- Double Wye			
SCALE	1 : 1	MATERIAL				BY	DRAWN	CHECKED	APPR'VD
PLOT	NTS	FINISH ETC.				NAME	VASIM	-	B.GHALY
PROD.						DATE	18/1/16	-	18/1/16
<small>LIMITS UNLESS SPECIFIED FRACTIONAL : .015 DECIMAL : .005 ANGULAR : .5' DO NOT SCALE DRAWING</small>						PRINTS BEFORE JAN 18, 2016 ARE VOID			

NO.	ALTERATIONS	DATE	BY	CHK'D

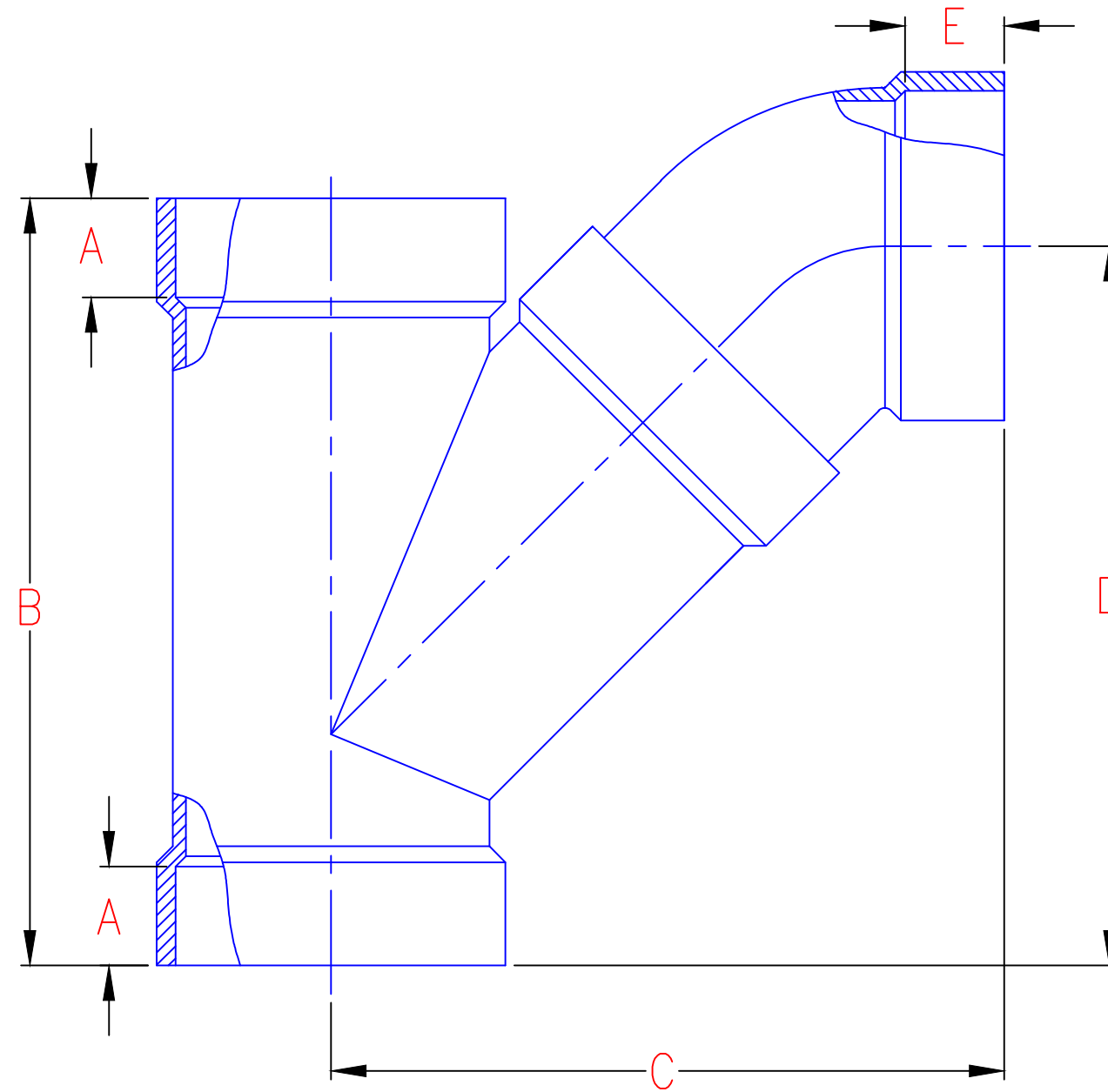


SIZE	A	B	C	D	E
2X1 1/2	0.85	0.92	5.70	1.66	5.11
3X 1 1/2	1.36	0.64	6.23	1.38	5.20
3X2	1.36	0.92	12.02	3.91	7.35
4X1 1/2	1.39	0.90	11.48	3.55	8.80
4X2	1.39	0.90	11.48	3.55	6.55
4X3	1.39	1.36	13.48	4.56	8.87
6X2	2.07	1.05	14.56	3.77	12.71
6X3	2.07	1.31	14.56	3.77	11.08
6X4	1.93	1.50	14.50	3.92	10.79


EDP. NO.	DWG. NO.	REV
-	-	0

REF.		 BURLINGTON, ONTARIO, CANADA	PART NO.				
ISSUED			-				
SCALE	1 : 1		TITLE RD45Y-Reducing Double Wye				
PLOT	NTS		-				
PROD.		MATERIAL	-	BY	DRAWN	CHECKED	APPR'VD
LIMITS UNLESS SPECIFIED FRACTIONAL : .015 DECIMAL : .005 ANGULAR : .5° DO NOT SCALE DRAWING		FINISH ETC.		NAME	VASIM	-	B.GHALY
		-		DATE	14/1/16	-	14/1/16
		PRINTS BEFORE JAN 14, 2016 ARE VOID					

NO.	ALTERATIONS	DATE	BY	CHK'D

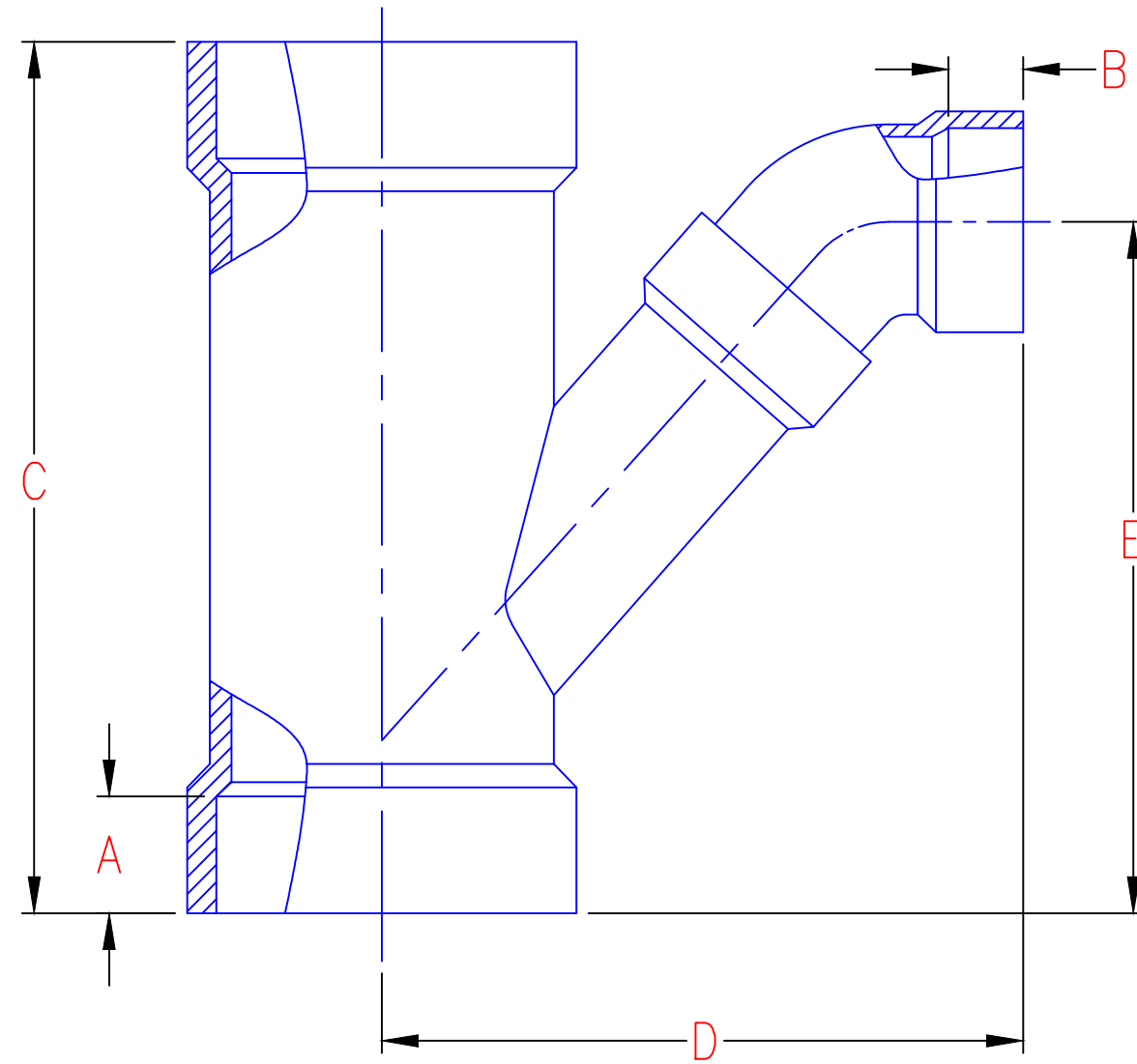


SIZE	A	B	C	D	E
1 1/2	1.38	11.00	9.67	9.92	1.68
2	1.02	7.20	5.71	6.24	0.90
3	1.33	8.19	7.82	7.41	1.40
4	1.38	11.00	9.67	9.92	1.68
6	1.88	14.63	13.52	13.02	2.25

REF.		 BURLINGTON, ONTARIO, CANADA	PART NO.			
ISSUED			TITLE 45Y-Single Wye			
SCALE	1 : 1		MATERIAL			
PLOT	NTS		FINISH ETC.			
PROD.		BY		DRAWN	CHECKED	APPR'VD
<small>LIMITS UNLESS SPECIFIED FRACTIONAL : .015 DECIMAL .XXX : .005 ANGULAR : .5° DO NOT SCALE DRAWING</small>		NAME		VASIM	-	B.GHALY
		DATE		13/1/16	-	13/1/16
PRINTS BEFORE JAN 13, 2016 ARE VOID						


EDP. NO.	DWG. NO.	REV
-		0

NO.	ALTERATIONS	DATE	BY	CHK'D

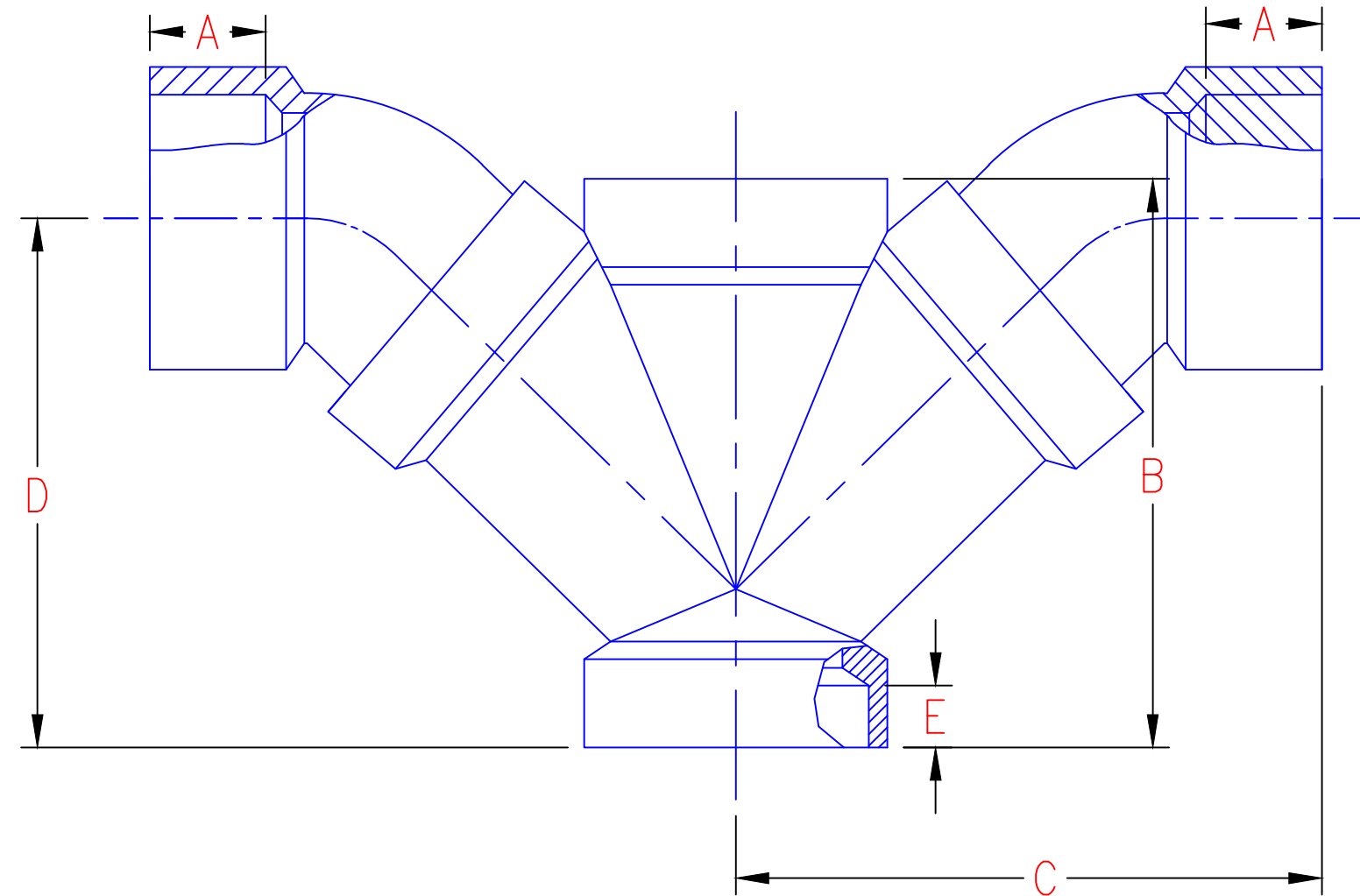


SIZE	A	B	C	D	E
2X1 1/2	0.92	0.92	9.40	5.70	7.38
3X 1 1/2	1.36	0.92	10.58	5.94	7.97
3X2	1.14	0.90	8.19	6.52	7.06
4X1 1/2	1.50	0.88	8.19	7.42	7.74
4X2	1.50	0.90	8.19	6.85	7.05
4X3	1.41	1.40	9.38	8.66	8.50
6X2	2.07	0.90	14.56	11.31	13.34
6X3	2.07	1.40	14.56	11.32	12.51
6X4	1.93	1.68	14.50	11.74	12.63

EDP. NO.	DWG. NO.	REV
-	-	0


REF.		 BURLINGTON, ONTARIO, CANADA	PART NO.				
ISSUED			-				
SCALE	1 : 1		TITLE RLTY-Reducing Long Turn Wye				
PLOT	NTS		-				
PROD.		MATERIAL	-	BY	DRAWN	CHECKED	APPR'VD
<small>LIMITS UNLESS SPECIFIED FRACTIONAL : .015 DECIMAL .XXX : .005 ANGULAR : .5° DO NOT SCALE DRAWING</small>		FINISH ETC.		NAME	VASIM	-	B.GHALY
		-		DATE	18/1/16	-	18/1/16
		PRINTS BEFORE JAN 18, 2016 ARE VOID					

NO.	ALTERATIONS	DATE	BY	CHK'D

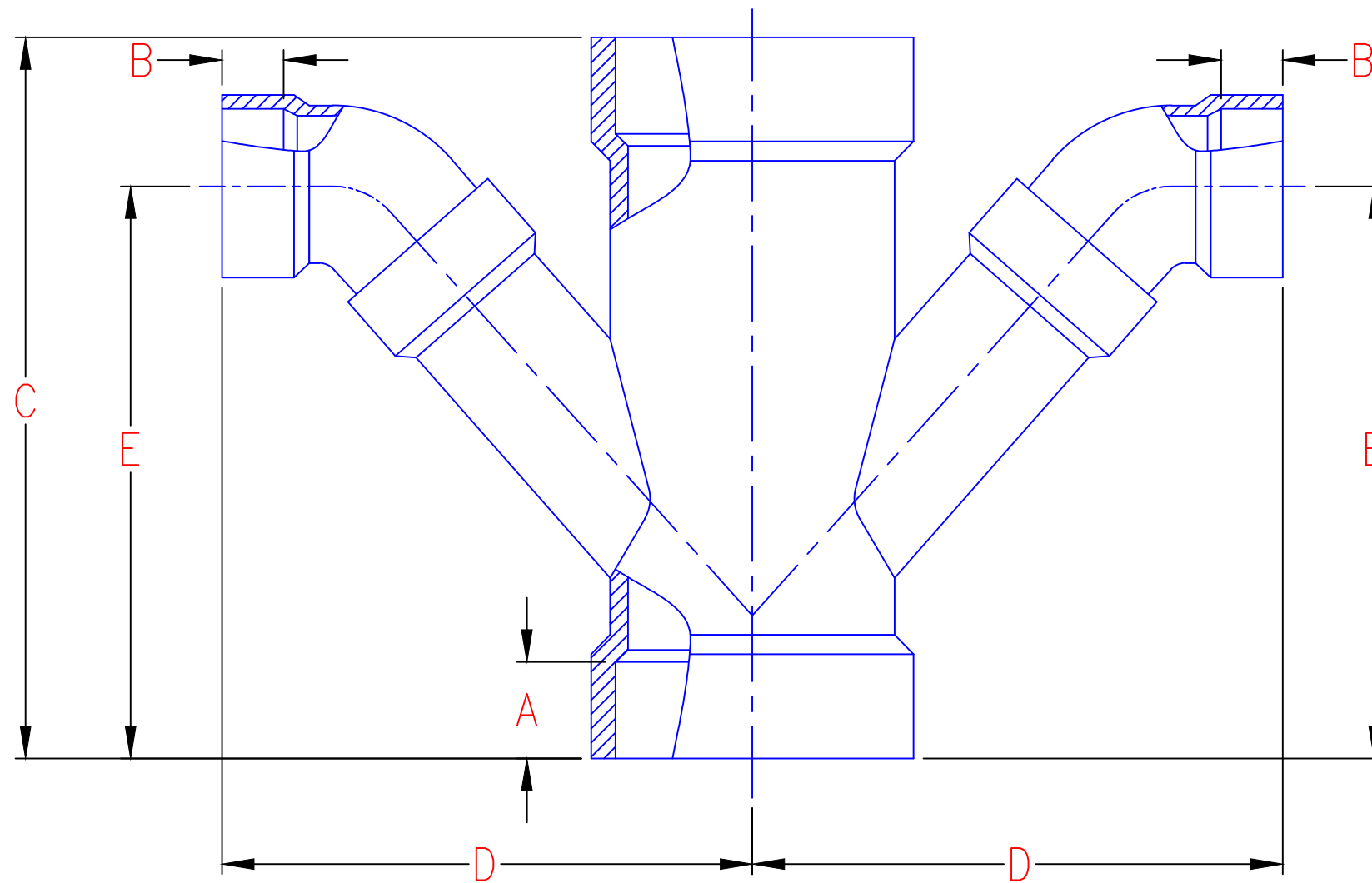


SIZE	A	B	C	D	E
1 1/2	0.88	4.37	4.38	4.05	0.57
2	0.90	5.70	5.20	5.13	0.85
3	1.40	12.05	9.21	10.54	1.35
4	1.68	14.85	9.64	11.76	1.38
6	2.25	14.75	13.52	13.02	1.87

EDP. NO.	DWG. NO.	REV
-	-	0


REF.		 BURLINGTON, ONTARIO, CANADA	PART NO.			
ISSUED			-			
SCALE	1 : 1	TITLE DLTY-Double Long Turn Wye				
PLOT	NTS	-				
PROD.		MATERIAL		-		
<small>LIMITS UNLESS SPECIFIED FRACTIONAL : .015 DECIMAL .XXX : .005 ANGULAR : .5° DO NOT SCALE DRAWING</small>		FINISH ETC.		-		
		BY	DRAWN	CHECKED	APPR'VD	
		NAME	VASIM	-	B.GHALY	
		DATE	13/1/16	-	13/1/16	
PRINTS BEFORE JAN 13, 2016 ARE VOID						

NO.	ALTERATIONS	DATE	BY	CHK'D

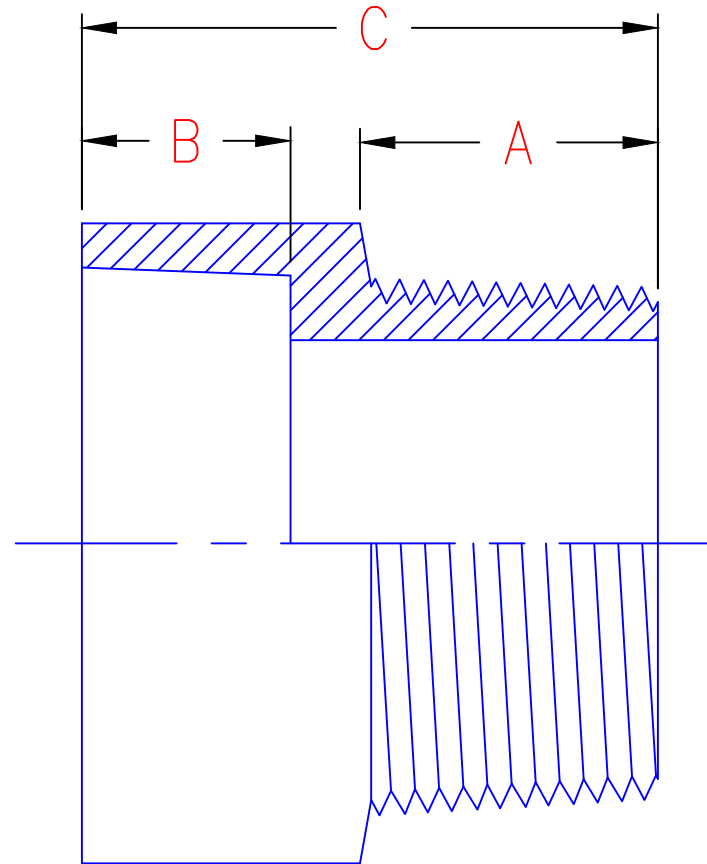


SIZE	A	B	C	D	E
2X1 1/2	0.85	0.88	5.70	5.59	5.62
3X 1 1/2	1.36	0.88	12.02	7.20	9.48
3X2	1.36	0.92	12.02	6.72	8.85
4X1 1/2	1.39	0.92	11.48	7.56	9.46
4X2	1.39	0.90	11.48	6.90	8.70
4X3	1.39	1.40	13.48	9.66	11.64
6X2	2.07	0.92	14.56	11.00	13.00
6X3	2.07	1.40	14.56	11.32	12.51
6X4	1.93	1.68	14.50	11.79	12.68

EDP. NO.	DWG. NO.	REV
-	-	0
PART NO.		-


REF.		 BURLINGTON, ONTARIO, CANADA	PART NO.				
ISSUED			-				
SCALE	1 : 1		TITLE RDLTY-Reducing Double Long Turn Wye				
PLOT	NTS		-				
PROD.		MATERIAL	-	BY	DRAWN	CHECKED	APPR'VD
LIMITS UNLESS SPECIFIED		FINISH ETC.		NAME	VASIM	-	B.GHALY
FRACTIONAL : .015		-		DATE	18/1/16	-	18/1/16
DECIMAL : .005		-		PRINTS BEFORE JAN 18, 2016 ARE VOID			
ANGULAR : .5°		-					
DO NOT SCALE DRAWING		-					

NO.	ALTERATIONS	DATE	BY	CHK'D

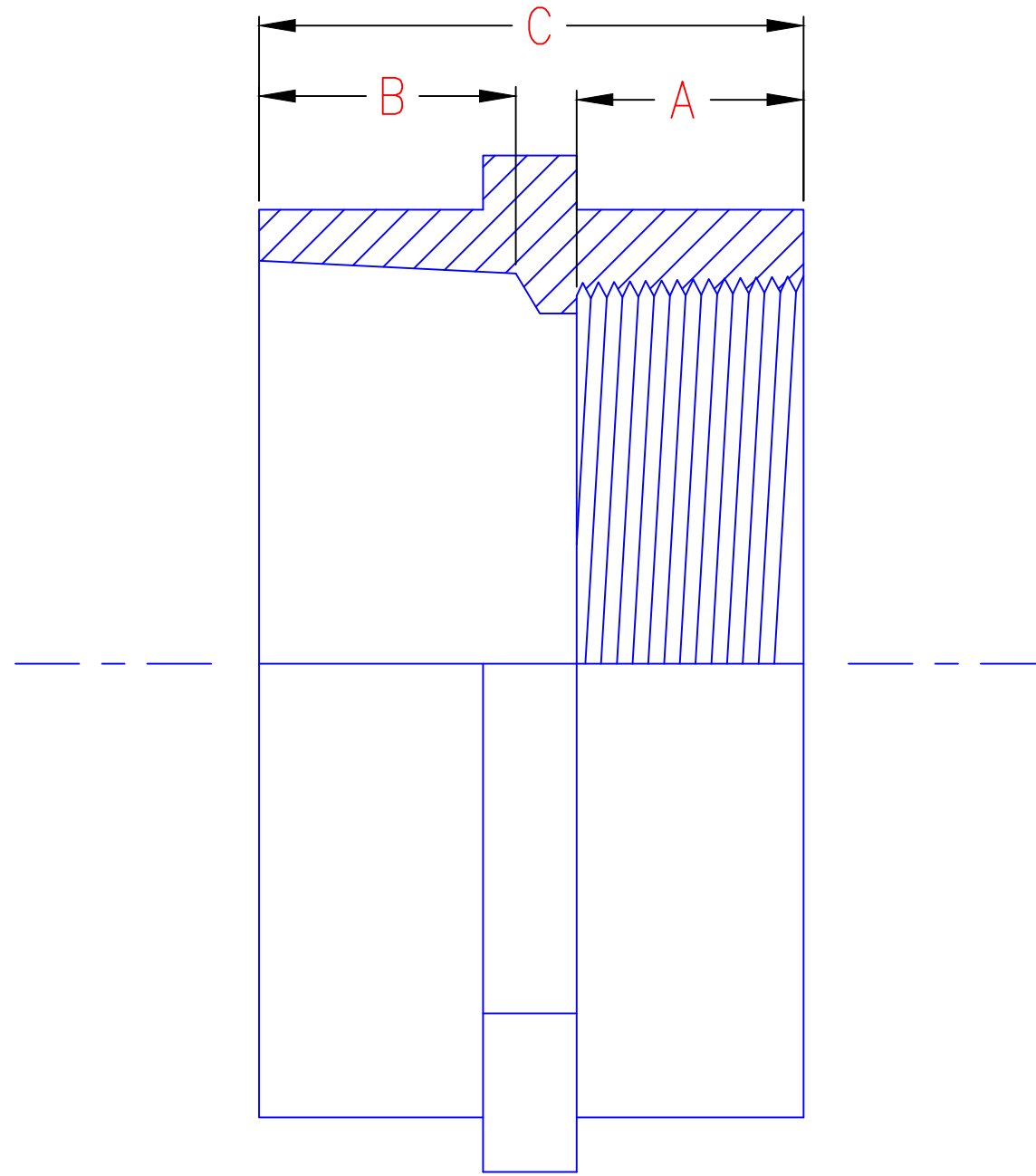


SIZE	A	B	C
1 1/2	0.98	0.72	2.04
2	0.78	1.03	2.06
3	1.25	1.36	4.63
4	1.29	1.38	3.00
6	1.99	4.49	6.49

EDP. NO.	DWG. NO.	REV
-	-	0


REF.		 BURLINGTON, ONTARIO, CANADA		PART NO.			
ISSUED				-			
SCALE	1 : 1	TITLE MA-Male Adapter					
PLOT	NTS	-					
PROD.		MATERIAL		BY	DRAWN	CHECKED	APPR'VD
LIMITS UNLESS SPECIFIED FRACTIONAL : .015 DECIMAL : .XXX : .005 ANGULAR : .5° DO NOT SCALE DRAWING		FINISH ETC.		NAME	VASIM		B.GHALY
		-		DATE	14/1/16	-	14/1/16
PRINTS BEFORE JAN 14, 2016 ARE VOID							

NO.	ALTERATIONS	DATE	BY	CHK'D

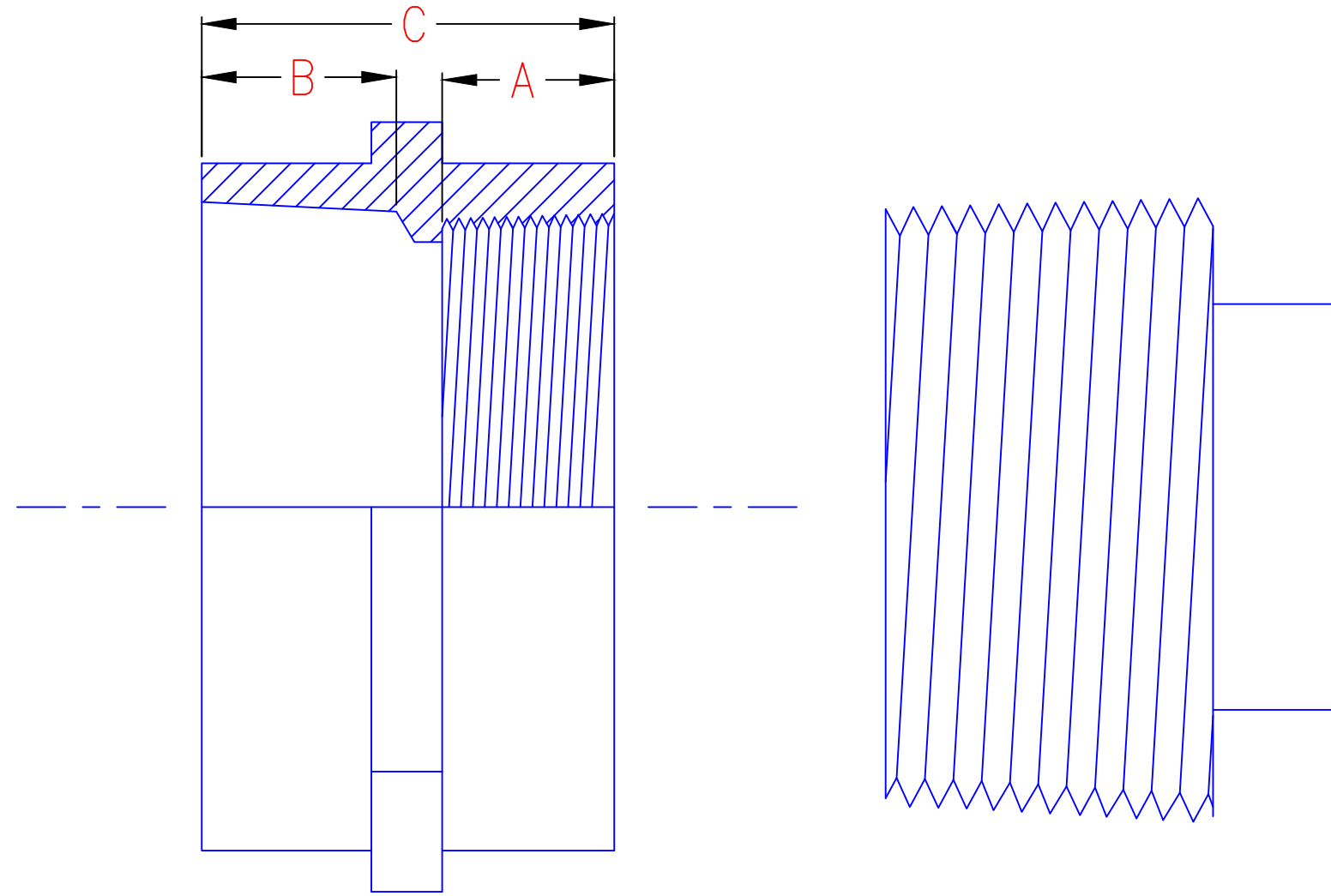


SIZE	A	B	C
1 1/2	0.79	0.91	2.06
2	0.80	0.93	2.07
3	1.50	1.35	3.00
4	1.50	1.45	3.00
6	2.00	2.00	6.47

EDP. NO.	DWG. NO.	REV
-	-	0


REF.		 BURLINGTON, ONTARIO, CANADA	PART NO.				
ISSUED			-				
SCALE	1 : 1		TITLE FA-Female Adapter				
PLOT	NTS		-				
PROD.			-				
LIMITS UNLESS SPECIFIED FRACTIONAL : .015 DECIMAL .XXX : .005 ANGULAR : .5° DO NOT SCALE DRAWING		MATERIAL	-	BY	DRAWN	CHECKED	APPR'D
		FINISH ETC.	-	NAME	VASIM	-	B.GHALY
				DATE	14/1/16	-	14/1/16
PRINTS BEFORE JAN 14, 2016 ARE VOID							

NO.	ALTERATIONS	DATE	BY	CHK'D

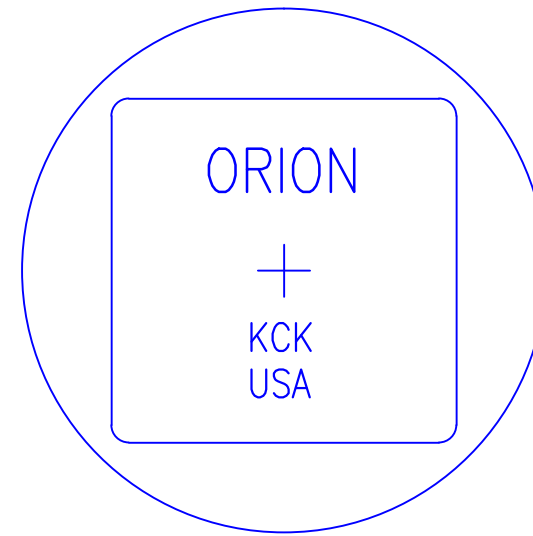
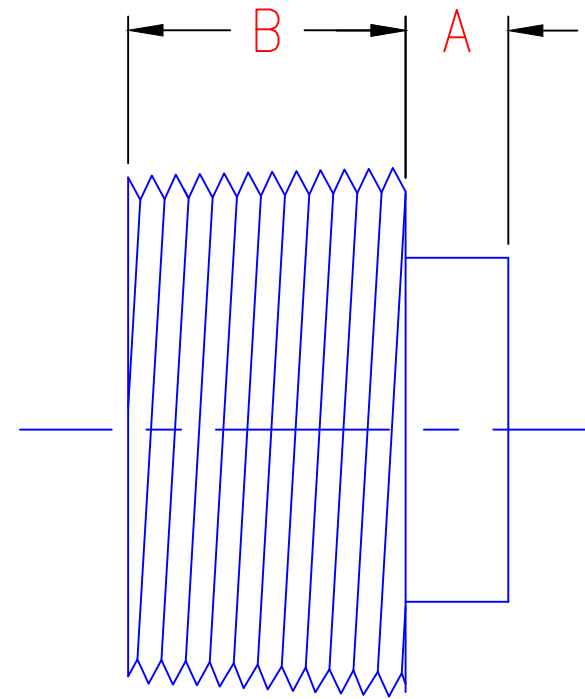


SIZE	A	B	C
1 1/2	0.79	0.91	2.06
2	0.80	0.93	2.07
3	1.50	1.35	3.00
4	1.50	1.45	3.00
6	2.00	2.00	6.47

EDP. NO. -	DWG. NO. -	REV 0
---------------	---------------	----------


REF.		 BURLINGTON, ONTARIO, CANADA	PART NO. -				
ISSUED			TITLE COA-Clean Out Adapter				
SCALE	1 : 1		-				
PLOT	NTS		-				
PROD.			-				
LIMITS UNLESS SPECIFIED FRACTIONAL : .015 DECIMAL : .XXX : .005 ANGULAR : .5° DO NOT SCALE DRAWING		MATERIAL	-	BY	DRAWN	CHECKED	APPR'D
		FINISH ETC.	-	NAME	VASIM	-	B.GHALY
				DATE	19/1/16	-	19/1/16
PRINTS BEFORE JAN 19, 2016 ARE VOID							

NO.	ALTERATIONS	DATE	BY	CHK'D

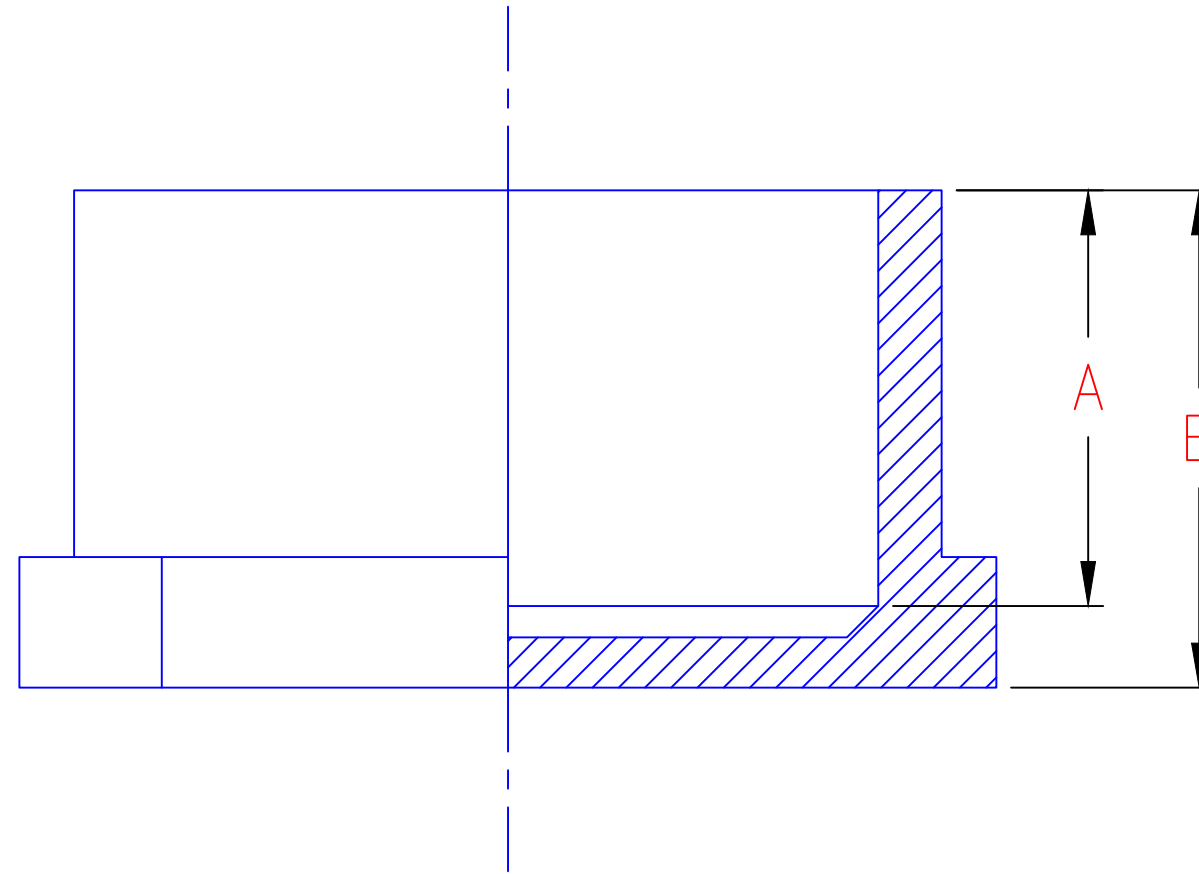


SIZE	A	B
1 1/2	0.37	0.99
2	0.67	0.99
3	0.68	1.09
4	0.68	1.12
6	0.95	1.34

EDP. NO.	DWG. NO.	REV
-	-	0

REF.		 BURLINGTON, ONTARIO, CANADA	PART NO.			
ISSUED			-			
SCALE	1 : 1	TITLE CPC-Clean Out Plug				
PLOT	NTS	-				
PROD.		MATERIAL		-		
<small>LIMITS UNLESS SPECIFIED FRACTIONAL : .015 DECIMAL .XXX : .005 ANGULAR : .5° DO NOT SCALE DRAWING</small>		FINISH ETC.		-		
		BY	DRAWN	CHECKED	APPR'VD	
		NAME	VASIM	-	B.GHALY	
		DATE	18/1/16	-	18/1/16	
PRINTS BEFORE 18/1/16 ARE VOID						

NO.	ALTERATIONS	DATE	BY	CHK'D

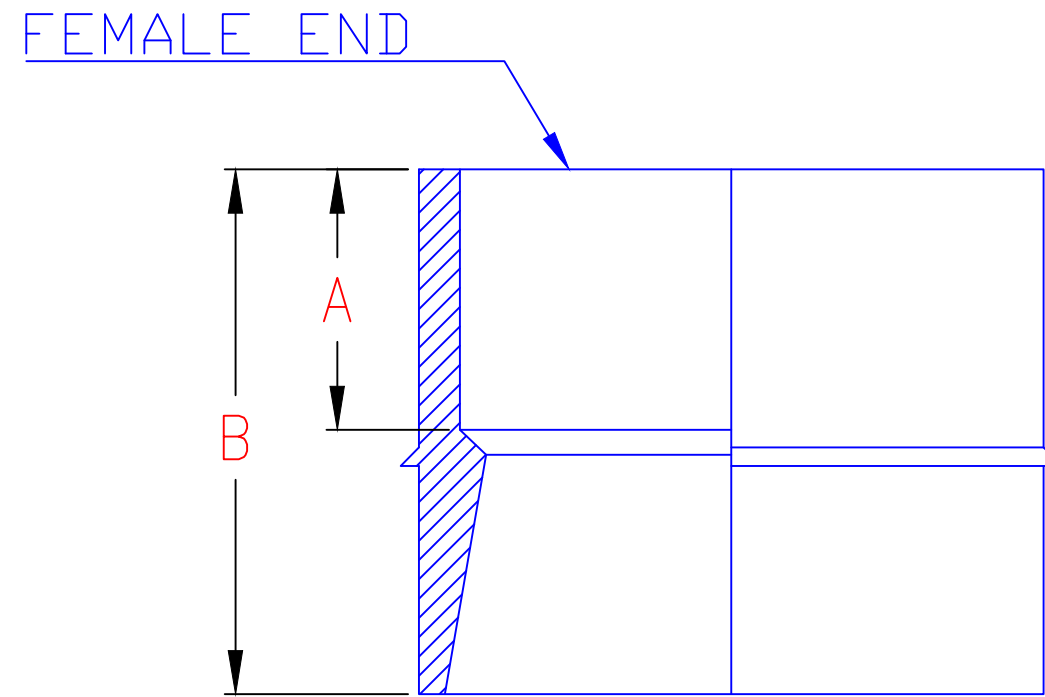


SIZE	A	B
1 1/2	0.90	1.27
2	0.90	1.27
3	1.40	1.70
4	1.46	2.00
6	2.35	2.83


EDP. NO.	DWG. NO.	REV
-	-	0

REF.		WATTS BURLINGTON, ONTARIO, CANADA	PART NO.			
ISSUED			-			
SCALE	1 : 1	TITLE CAP				
PLOT	NTS	-				
PROD.		MATERIAL		-		
<small>LIMITS UNLESS SPECIFIED FRACTIONAL : .015 DECIMAL .XXX : .005 ANGULAR : .5' DO NOT SCALE DRAWING</small>		FINISH ETC.		-		
		BY	DRAWN	CHECKED	APPR'VD	
		NAME	VASIM	-	B.GHALY	
		DATE	13/1/16	-	13/1/16	
PRINTS BEFORE JAN 13, 2016 ARE VOID						

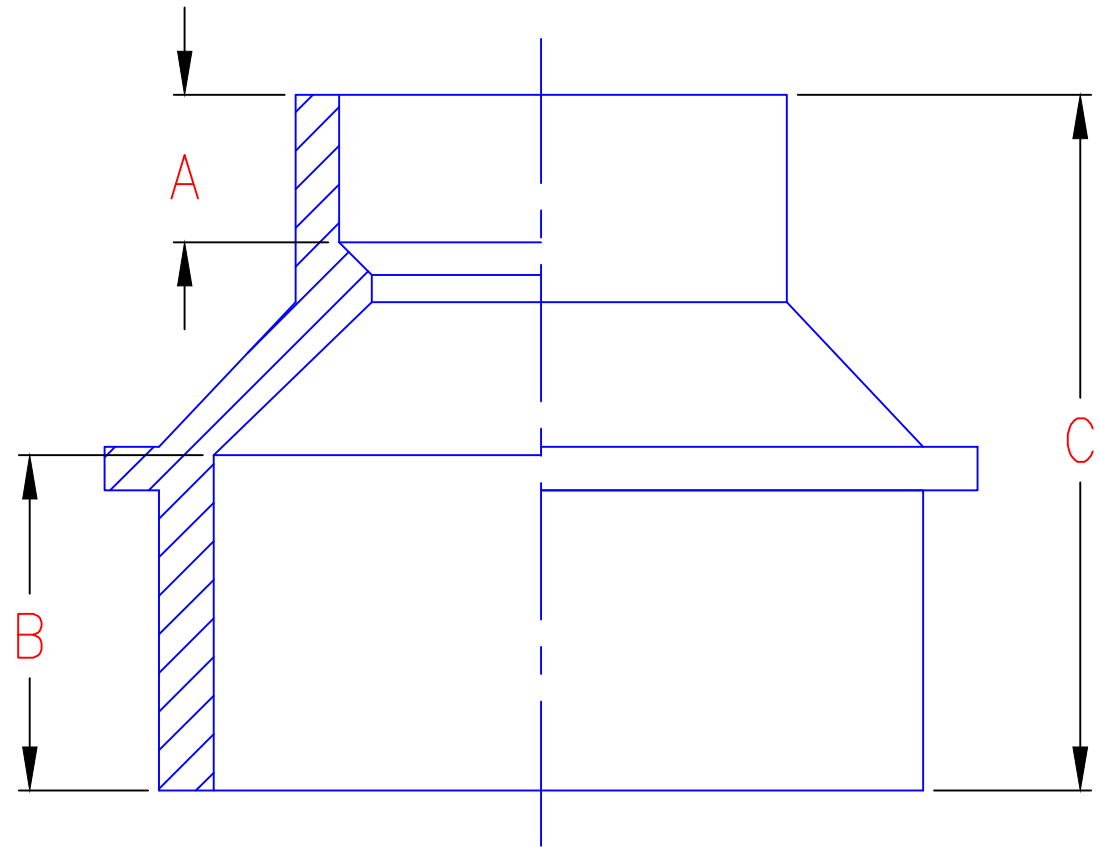
NO.	ALTERATIONS	DATE	BY	CHK'D



SIZE	A	B
2X1 1/2	0.92	2.00
3X 1 1/2	1.05	3.00
3X2	1.05	3.22
4X1 1/2	0.80	3.43
4X2	1.03	3.25
4X3	1.34	3.00
6X2	0.96	5.54
6X3	1.38	3.70
6X4	1.38	3.78

REF.		 BURLINGTON, ONTARIO, CANADA	EDP. NO.	DWG. NO.	REV	
ISSUED			-	-		
SCALE	1 : 1	TITLE RB-Reducing Bushing -	PART NO.			
PLOT	NTS		-			
PROD.		MATERIAL	BY	DRAWN	CHECKED	APPR'VD
LIMITS UNLESS SPECIFIED FRACTIONAL : .015 DECIMAL .XXX : .005 ANGULAR : .5° DO NOT SCALE DRAWING		FINISH ETC.	NAME	VASIM	-	B.GHALY
			DATE	8/2/16	-	8/2/16
PRINTS BEFORE FEB 08, 2016 ARE VOID						


NO.	ALTERATIONS	DATE	BY	CHK'D



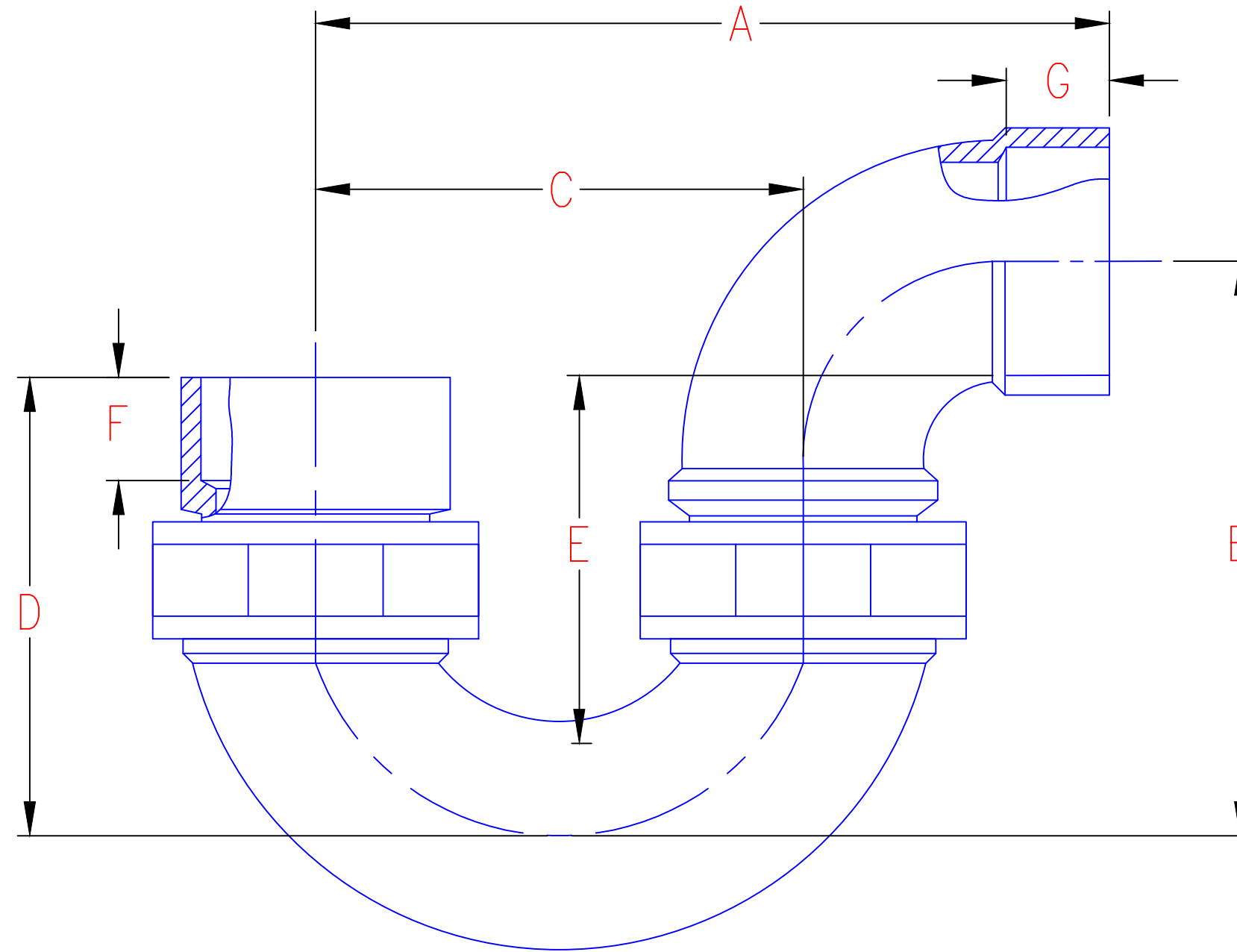
RCLS FRPP 3X1.5 SOCKET WELD

SIZE	A	B	C
2X1 1/2	0.90	0.98	2.06
3X 1 1/2	0.92	1.35	4.00
3X2	1.04	1.35	3.00
4X1 1/2	1.16	1.40	4.17
4X2	1.00	1.40	3.00
4X3	1.33	1.38	3.00
6X2	1.05	2.00	7.41
6X3	1.38	2.00	5.95
6X4	1.38	2.00	5.97


EDP. NO.	DWG. NO.	REV
-	-	

REF.		 BURLINGTON, ONTARIO, CANADA	PART NO.				
ISSUED			-				
SCALE	1 : 1	TITLE RCL-Reducing Coupling					
PLOT	NTS	-					
PROD.		MATERIAL		BY	DRAWN	CHECKED	APPR'VD
LIMITS UNLESS SPECIFIED FRACTIONAL : .015 DECIMAL : .005 ANGULAR : .5° DO NOT SCALE DRAWING		FINISH ETC.		NAME	VASIM	-	B.GHALY
		-		DATE	15/1/16	-	15/1/16
PRINTS BEFORE JAN 15, 2016 ARE VOID							

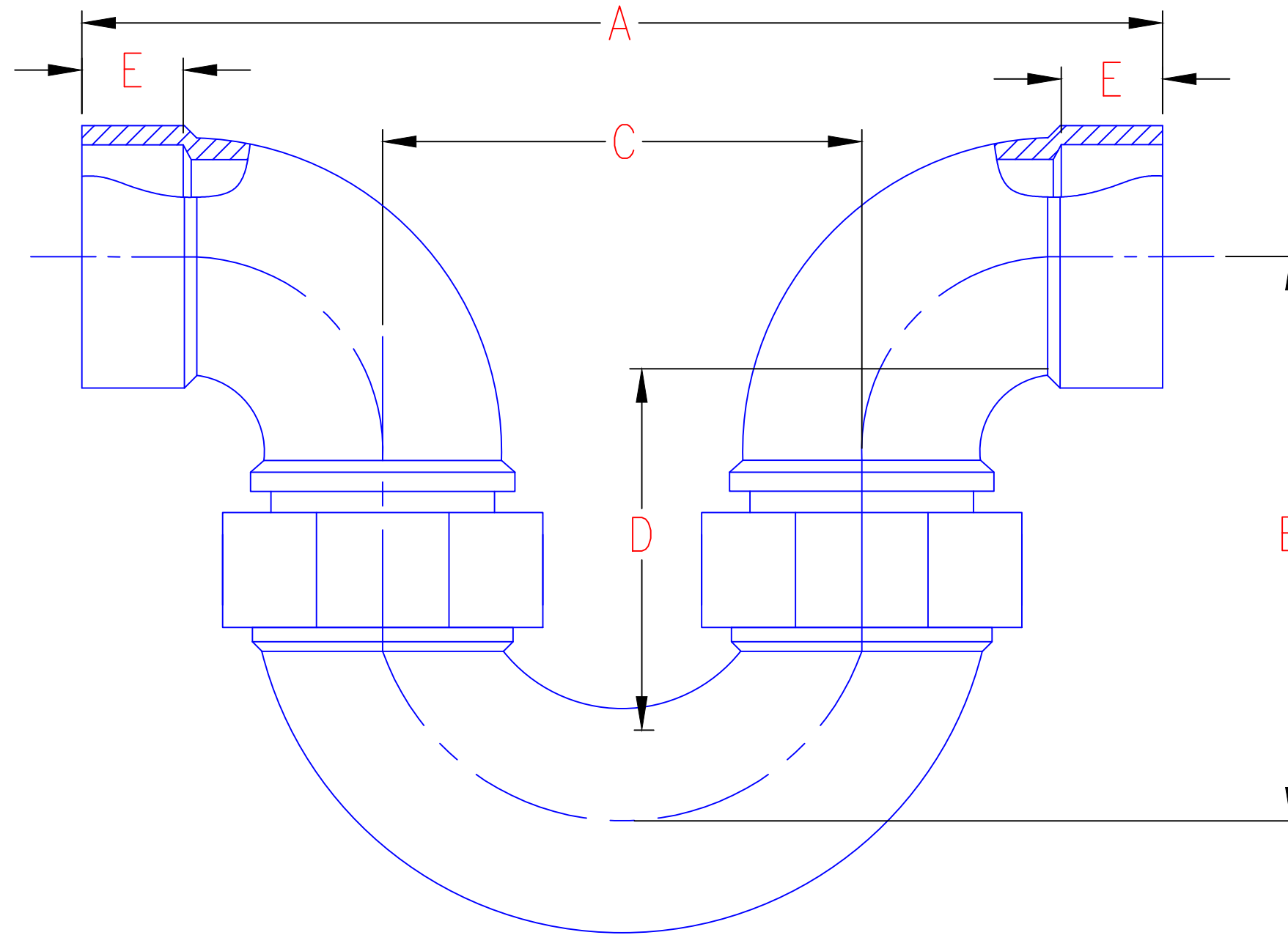
NO.	ALTERATIONS	DATE	BY	CHK'D



SIZE	A	B	C	D	E	F	G
1 1/2	6.47	5.05	4.00	5.27	3.31	1.16	0.90
2	9.17	5.77	5.25	6.88	3.70	0.92	0.92


REF.		 BURLINGTON, ONTARIO, CANADA	EDP. NO.	DWG. NO.	REV		
ISSUED			-	-	0		
SCALE	1 : 1		PART NO.	-			
PLOT	NTS		TITLE	UTP-Full Drop Union P-Trap			
PROD.		MATERIAL	-	BY	DRAWN	CHECKED	APPR'VD
LIMITS UNLESS SPECIFIED FRACTIONAL : .015 DECIMAL .XXX : .005 ANGULAR : .5° DO NOT SCALE DRAWING		FINISH ETC.	-	NAME	VASIM	-	B.GHALY
				DATE	15/1/16	-	15/1/16
				PRINTS BEFORE JAN 15, 2016 ARE VOID			

NO.	ALTERATIONS	DATE	BY	CHK'D

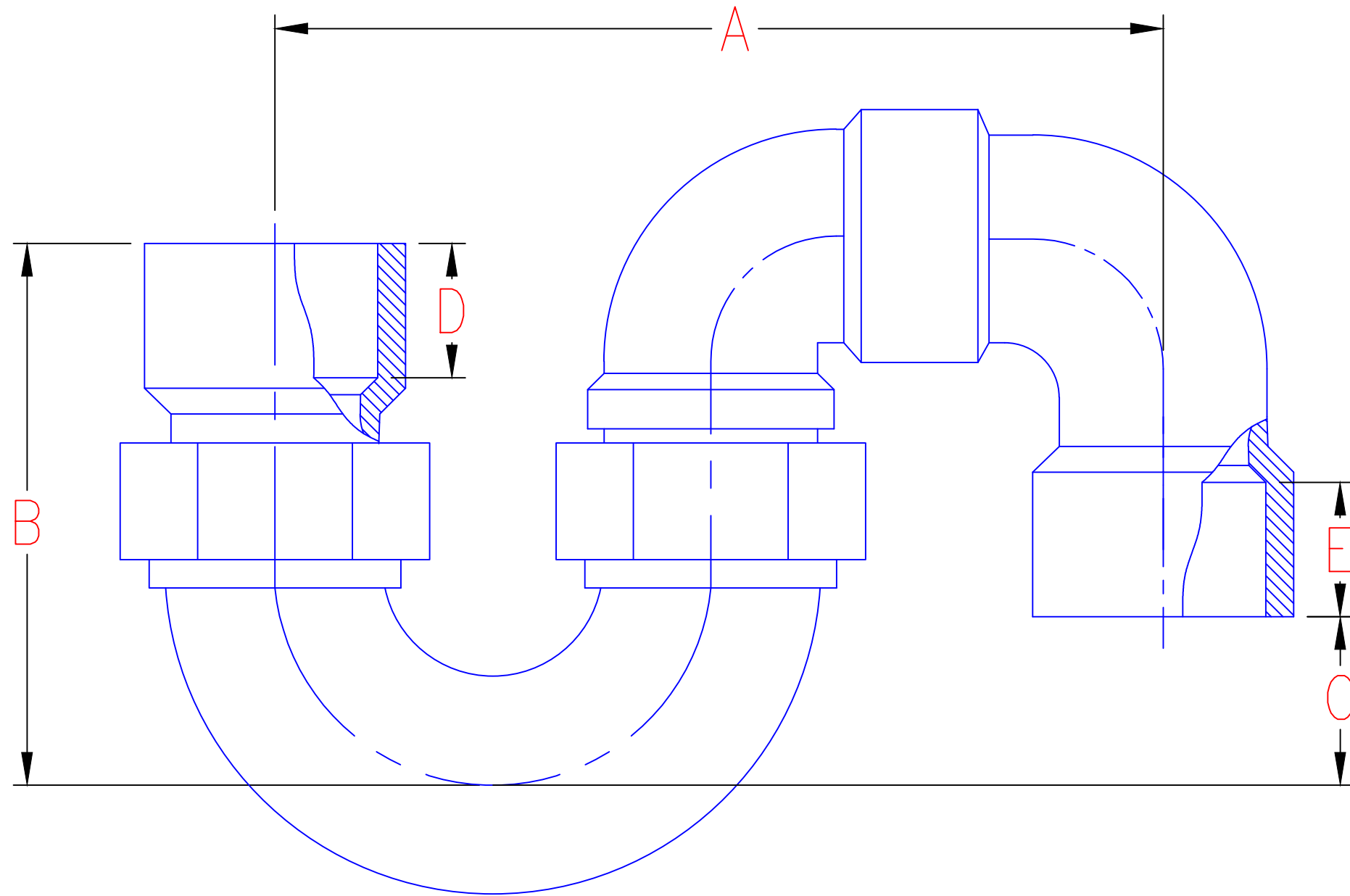


SIZE	A	B	C	D	E
1 1/2	8.94	5.05	4.00	3.51	0.90
2	12.93	5.77	5.25	3.70	0.92

EDP. NO. -	DWG. NO. -	REV 0
PART NO. -		


REF.		 BURLINGTON, ONTARIO, CANADA					
ISSUED							
SCALE	1 : 1	TITLE UTP-Full Drop Union P-Trap					
PLOT	NTS	-					
PROD.		MATERIAL		BY	DRAWN	CHECKED	APPR'VD
<small>LIMITS UNLESS SPECIFIED FRACTIONAL : .015 DECIMAL .XXX : .005 ANGULAR : .5° DO NOT SCALE DRAWING</small>		FINISH ETC.		NAME	VASIM	-	B.GHALY
		-		DATE	15/1/16	-	15/1/16
PRINTS BEFORE JAN 15, 2016 ARE VOID							

NO.	ALTERATIONS	DATE	BY	CHK'D

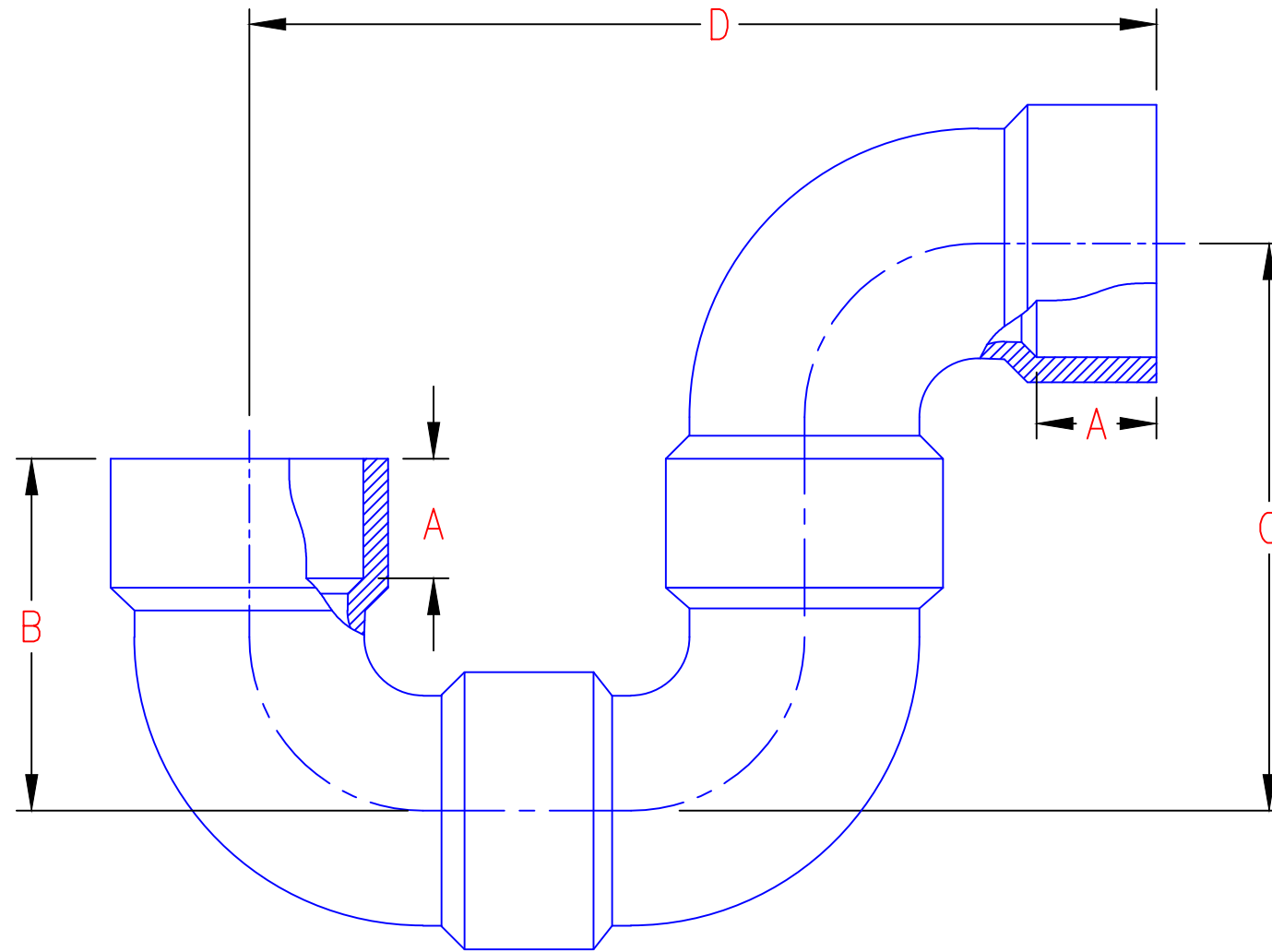


SIZE	A	B	C	D	E
1 1/2	8.12	5.27	2.50	1.16	0.91
2	10.44	6.88	2.36	0.92	1.01

EDP. NO.	DWG. NO.	REV
-		0


REF.		 BURLINGTON, ONTARIO, CANADA	PART NO.			
ISSUED			TITLE UTPS-S Trap			
SCALE	1 : 1		MATERIAL			
PLOT	NTS		FINISH ETC.			
PROD.			BY	DRAWN	CHECKED	APPR'VD
			NAME	VASIM		B.GHALY
			DATE	18/1/16	-	18/1/16
LIMITS UNLESS SPECIFIED FRACTIONAL : .015 DECIMAL : .005 ANGULAR : .5° DO NOT SCALE DRAWING						
PRINTS BEFORE JAN 18, 2016 ARE VOID						

NO.	ALTERATIONS	DATE	BY	CHK'D

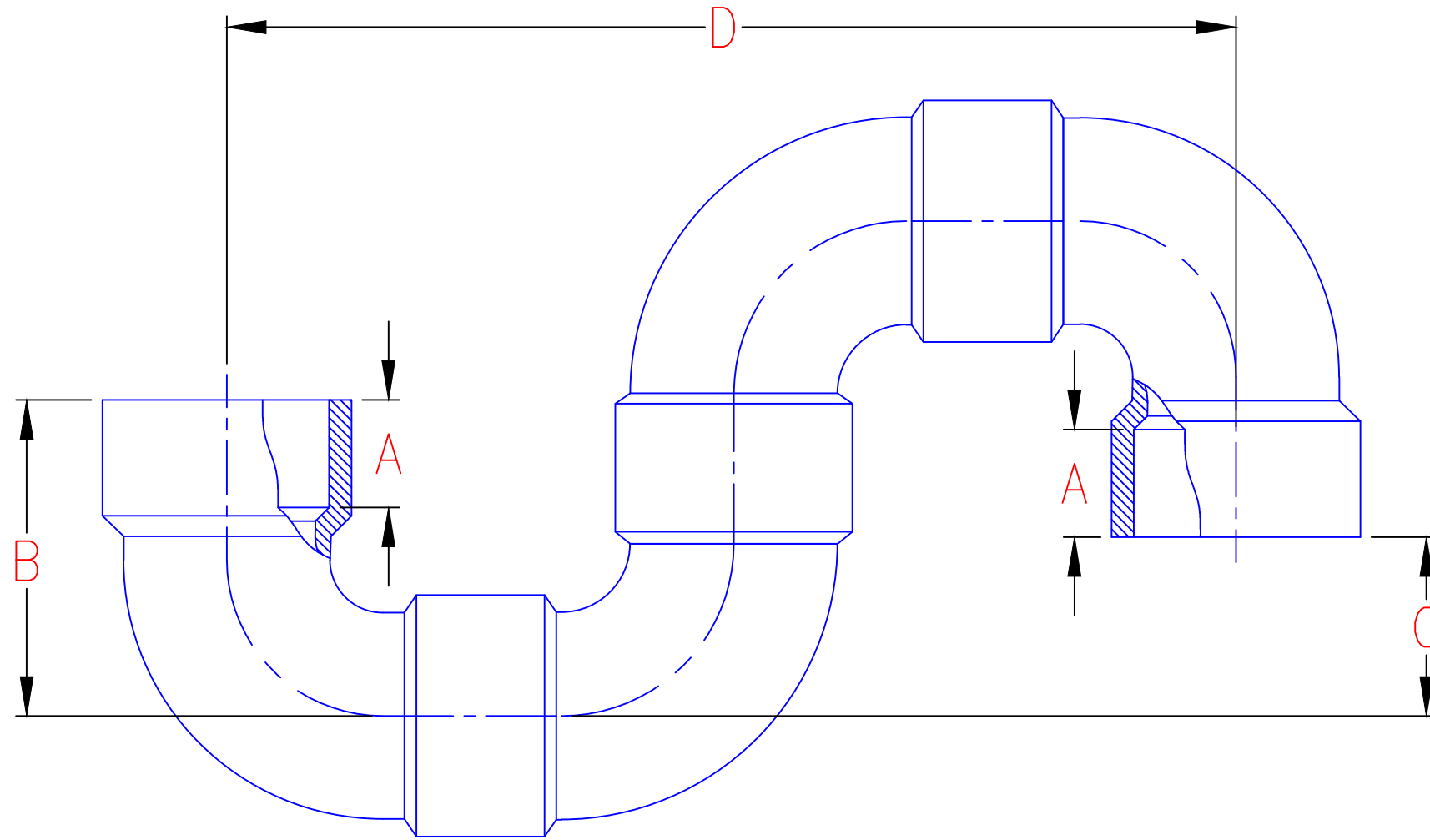


SIZE	A	B	C	D
1 1/2	0.88	2.54	4.22	6.76
2	1.01	3.41	5.81	9.22
3	1.44	4.53	7.66	12.19
4	1.55	5.25	8.83	14.08
6	2.34	7.00	11.61	18.61


EDP. NO.	DWG. NO.	REV
-	-	0

REF.		 BURLINGTON, ONTARIO, CANADA	PART NO.			
ISSUED			-			
SCALE	1 : 1	TITLE RBP-P Trap				
PLOT	NTS	-				
PROD.		MATERIAL		-		
<small>LIMITS UNLESS SPECIFIED FRACTIONAL : .015 DECIMAL .XXX : .005 ANGULAR : .5° DO NOT SCALE DRAWING</small>		FINISH ETC.		-		
		BY	DRAWN	CHECKED	APPR'VD	
		NAME	VASIM	-	B.GHALY	
		DATE	15/1/16	-	15/1/16	
PRINTS BEFORE JAN 15, 2016 ARE VOID						

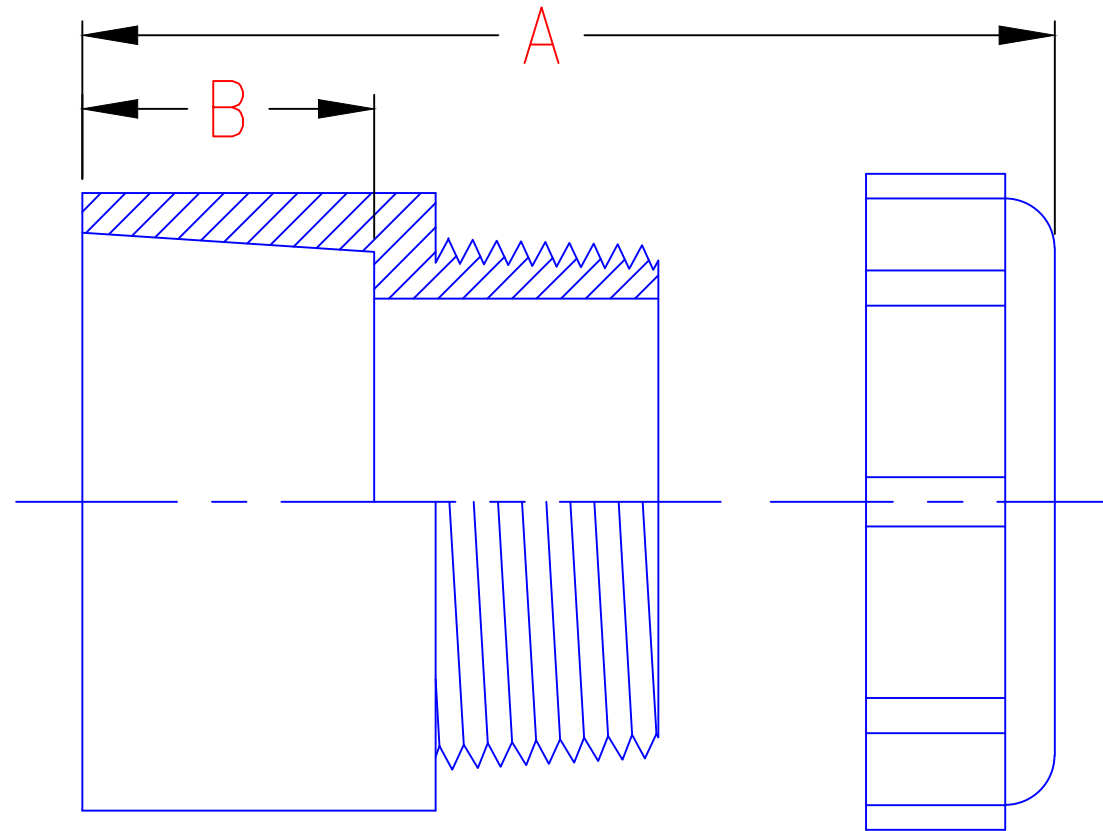
NO.	ALTERATIONS	DATE	BY	CHK'D



SIZE	A	B	C	D
1 1/2	0.91	2.54	1.67	8.43
2	1.01	3.41	2.43	11.59
3	1.44	4.53	3.16	12.19
4	1.36	5.25	3.58	17.73


REF.		 BURLINGTON, ONTARIO, CANADA	EDP. NO.				DWG. NO.				REV												
ISSUED			-				-				0												
SCALE	1 : 1		TITLE				PART NO.				-												
PLOT	NTS		-				-				-												
PROD.		MATERIAL				BY				DRAWN				CHECKED				APPR'VD					
LIMITS UNLESS SPECIFIED FRACTIONAL : .015 DECIMAL : .005 ANGULAR : .5° DO NOT SCALE DRAWING		FINISH ETC.				NAME				DATE				18/1/16				18/1/16					
		-				VASIM				-				-				-					
												PRINTS BEFORE JAN 18, 2016 ARE VOID											

NO.	ALTERATIONS	DATE	BY	CHK'D

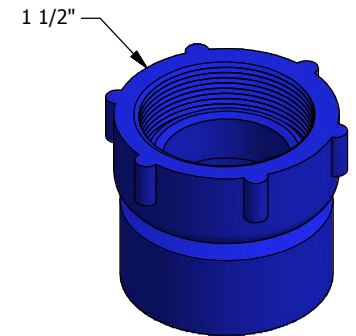
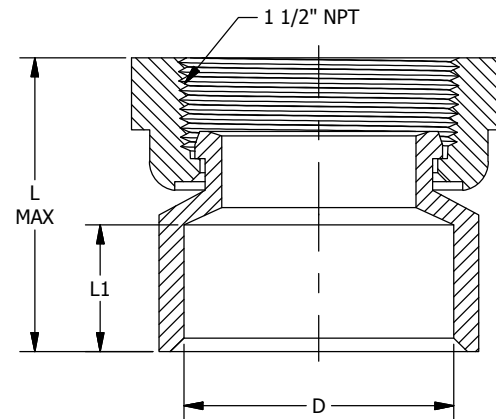
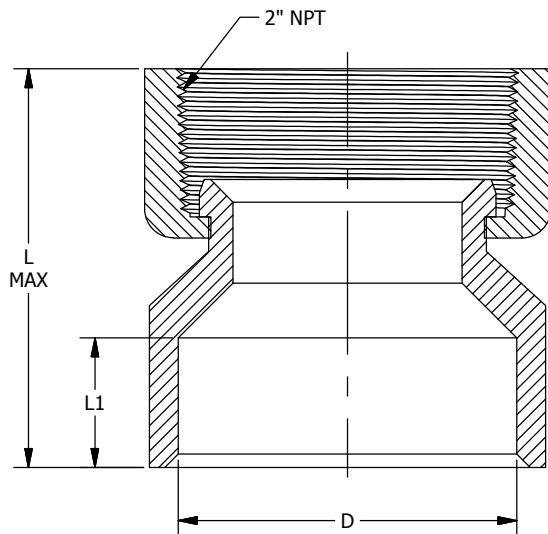
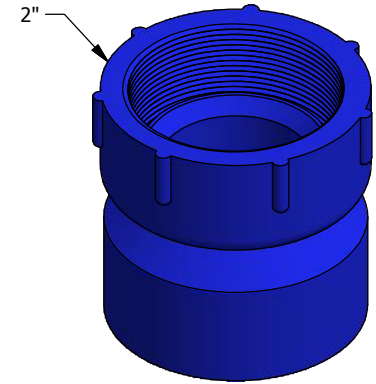
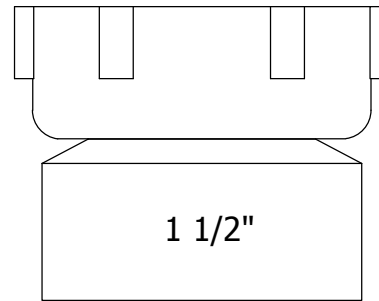
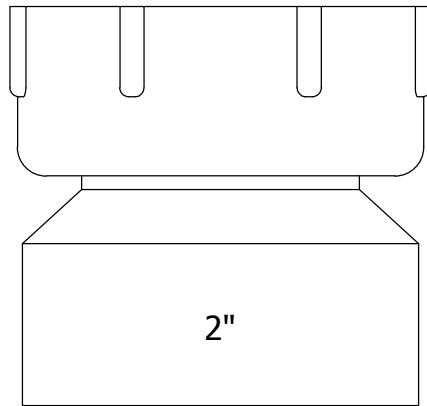


SIZE	A	B
1 1/2	2.38	0.72
2	2.46	0.88


EDP. NO.	DWG. NO.	REV
-		0

REF.		 BURLINGTON, ONTARIO, CANADA	PART NO.				
ISSUED			TITLE SJ-Slip Joint Adapter				
SCALE	1 : 1	-					
PLOT	NTS	-					
PROD.		MATERIAL		BY	DRAWN	CHECKED	APPRVD
LIMITS UNLESS SPECIFIED FRACTIONAL : .015 DECIMAL .XXX : .005 ANGULAR : .5° DO NOT SCALE DRAWING		FINISH ETC.		NAME	VASIM	-	B.GHALY
				DATE	20/1/16	-	20/1/16
		PRINTS BEFORE JAN 20, 2016 ARE VOID					

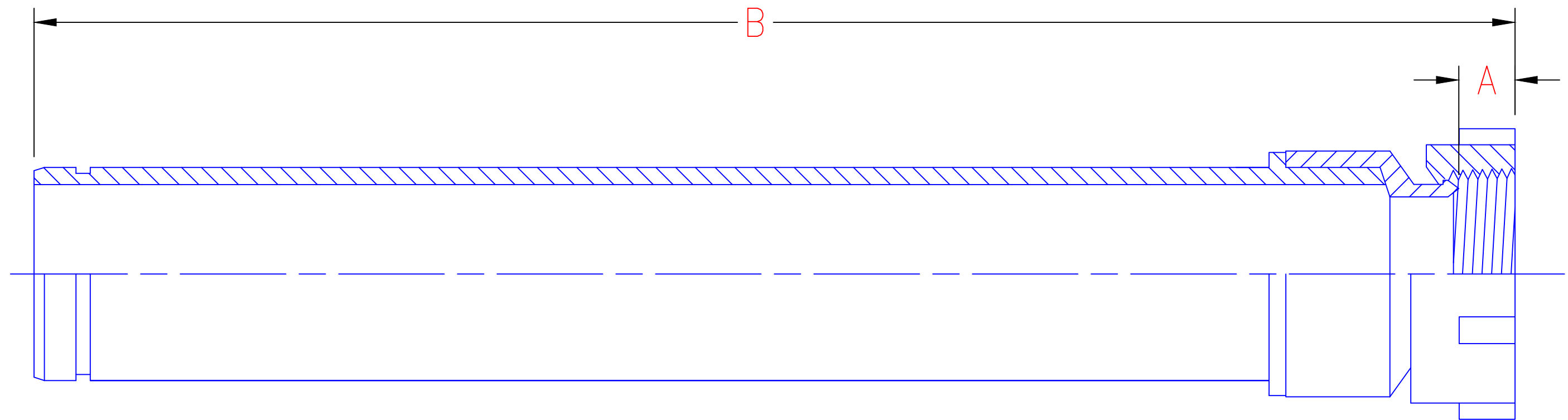
NO.	ALTERATIONS	DATE	BY	CHK'D



SIZE	PART NUMBER	D	L1	L
1 1/2	712021	1.875	0.880	2.040
2	712221	2.350	0.900	2.770


EDP. NO.	-	 WATTS BURLINGTON, ONTARIO, CANADA	ORION FITTINGS KANSAS CITY, KS 66115, USA	PART NO.		
DWG. NO.	-			-		
REV	0	TITLE			SF BL RLNS_SF BL SINK TAILPIECE LOOSE NUT ADAPTER	
PLOT	NTS	MATERIAL			WEIGHT	
SCALE	1:1				703000 VIRGIN 7823/TI4007 PPII RESIN	
COLOR	-	706006 FLAME RETARDANT - BLUE			BY	DRAWN
					NAME	J.YANG
					DATE	26/11/18
		MATERIAL PPII			PRINTS BEFORE	NOV 26, 2018
					ARE VOID	

NO.	ALTERATIONS	DATE	BY	CHK'D

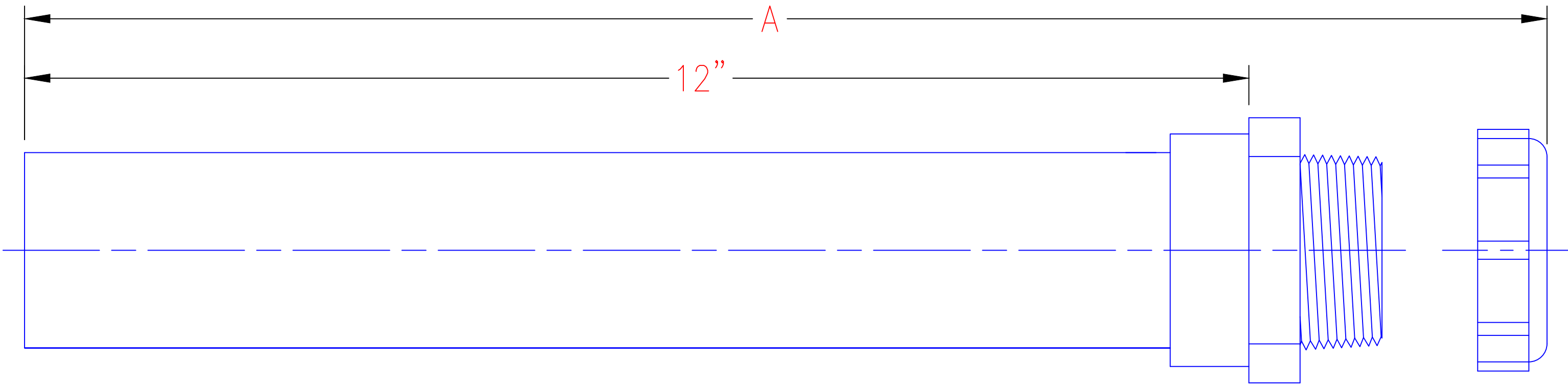


SIZE	A	B
1 1/2	0.50	13.25
2	0.77	13.87

EDP. NO.	DWG. NO.	REV
-		0


REF.		 BURLINGTON, ONTARIO, CANADA	PART NO.			
ISSUED			TITLE RLNS12-Sink Tail Piece Extension			
SCALE	1 : 1	MATERIAL	BY	DRAWN	CHECKED	APPR'D
PLOT	NTS		NAME	VASIM	-	B.GHALY
PROD.		FINISH ETC.	DATE	15/1/16	-	15/1/16
<small>LIMITS UNLESS SPECIFIED FRACTIONAL ± .015 DECIMAL .XXX ± .005 ANGULAR ± .5° DO NOT SCALE DRAWING</small>			PRINTS BEFORE JAN 15, 2016 ARE VOID			

NO.	ALTERATIONS	DATE	BY	CHK'D

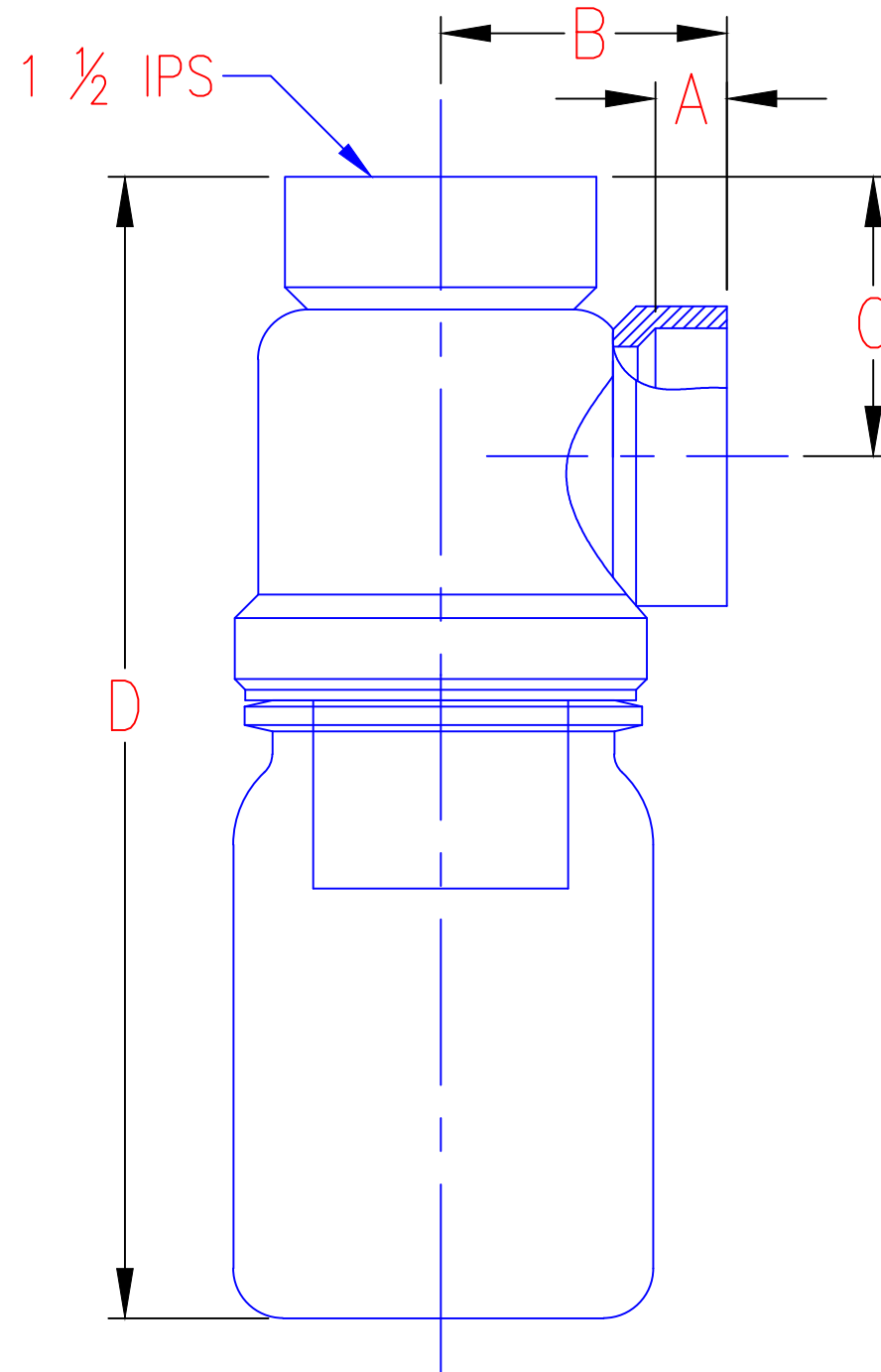


SIZE	A
1 1/2	13.34
2	13.67

EDP. NO.	DWG. NO.	REV
-		0


REF.		 BURLINGTON, ONTARIO, CANADA	PART NO.				
ISSUED			-				
SCALE	1 : 1		TITLE SJA12-Slip Joint Adapter X 12				
PLOT	NTS						
PROD.		MATERIAL		BY	DRAWN	CHECKED	APPR'VD
<small>LIMITS UNLESS SPECIFIED FRACTIONAL : .015 DECIMAL .XXX : .005 ANGULAR : .5' DO NOT SCALE DRAWING</small>		FINISH ETC.		NAME	VASIM	-	B.GHALY
				DATE	20/1/16	-	20/1/16
				PRINTS BEFORE JAN 20, 2016 ARE VOID			

NO.	ALTERATIONS	DATE	BY	CHK'D

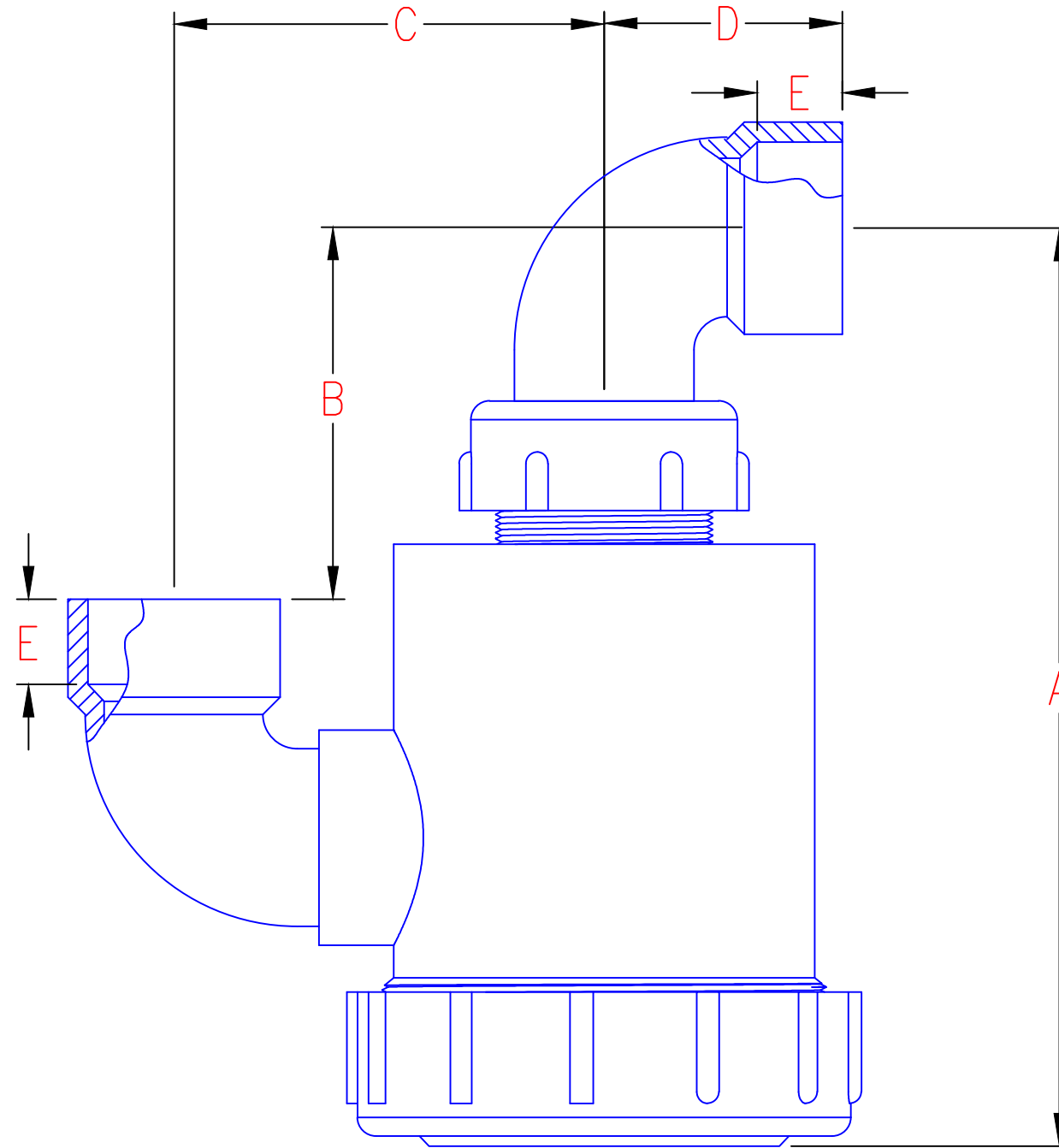


SIZE	A	B	C
w/o BOTTLE	3.18	2.10	
1PT			8.62
1QT			10.26
2QT			11.65

EDP. NO. -	DWG. NO.	REV 0
PART NO. -		


REF.		 BURLINGTON, ONTARIO, CANADA			
ISSUED					
SCALE	1 : 1	TITLE Bottle Trap with Bottle			
PLOT	NTS				
PROD.					
MATERIAL		BY	DRAWN	CHECKED	APPR'D
FINISH ETC.		NAME	VASIM	-	B.GHALY
		DATE	20/1/16	-	20/1/16
LIMITS UNLESS SPECIFIED FRACTIONAL ± .015 DECIMAL .XXX ± .005 ANGULAR ± .5° DO NOT SCALE DRAWING					
PRINTS BEFORE JAN 20, 2016 ARE VOID					

NO.	ALTERATIONS	DATE	BY	CHK'D

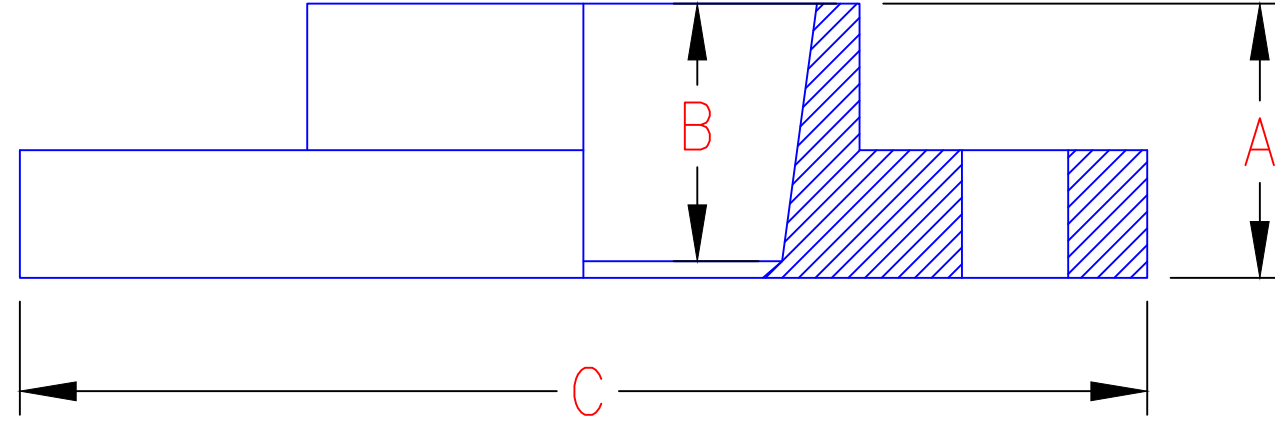


SIZE	A	B	C	D	E
1 1/2	9.83	3.98	4.60	2.38	0.88
2	10.34	3.66	5.66	3.40	1.00

EDP. NO. -	DWG. NO. -	REV 0
PART NO. -		


REF.		 BURLINGTON, ONTARIO, CANADA					
ISSUED							
SCALE	1 : 1	TITLE DT1-Drum Trap					
PLOT	NTS	-					
PROD.		MATERIAL	-	BY	DRAWN	CHECKED	APPR'VD
<small>LIMITS UNLESS SPECIFIED FRACTIONAL : .015 DECIMAL .XXX : .005 ANGULAR : .5° DO NOT SCALE DRAWING</small>		FINISH ETC.		NAME	VASIM	-	B.GHALY
		-		DATE	18/1/16	-	18/1/16
PRINTS BEFORE JAN 18, 2016 ARE VOID							

NO.	ALTERATIONS	DATE	BY	CHK'D

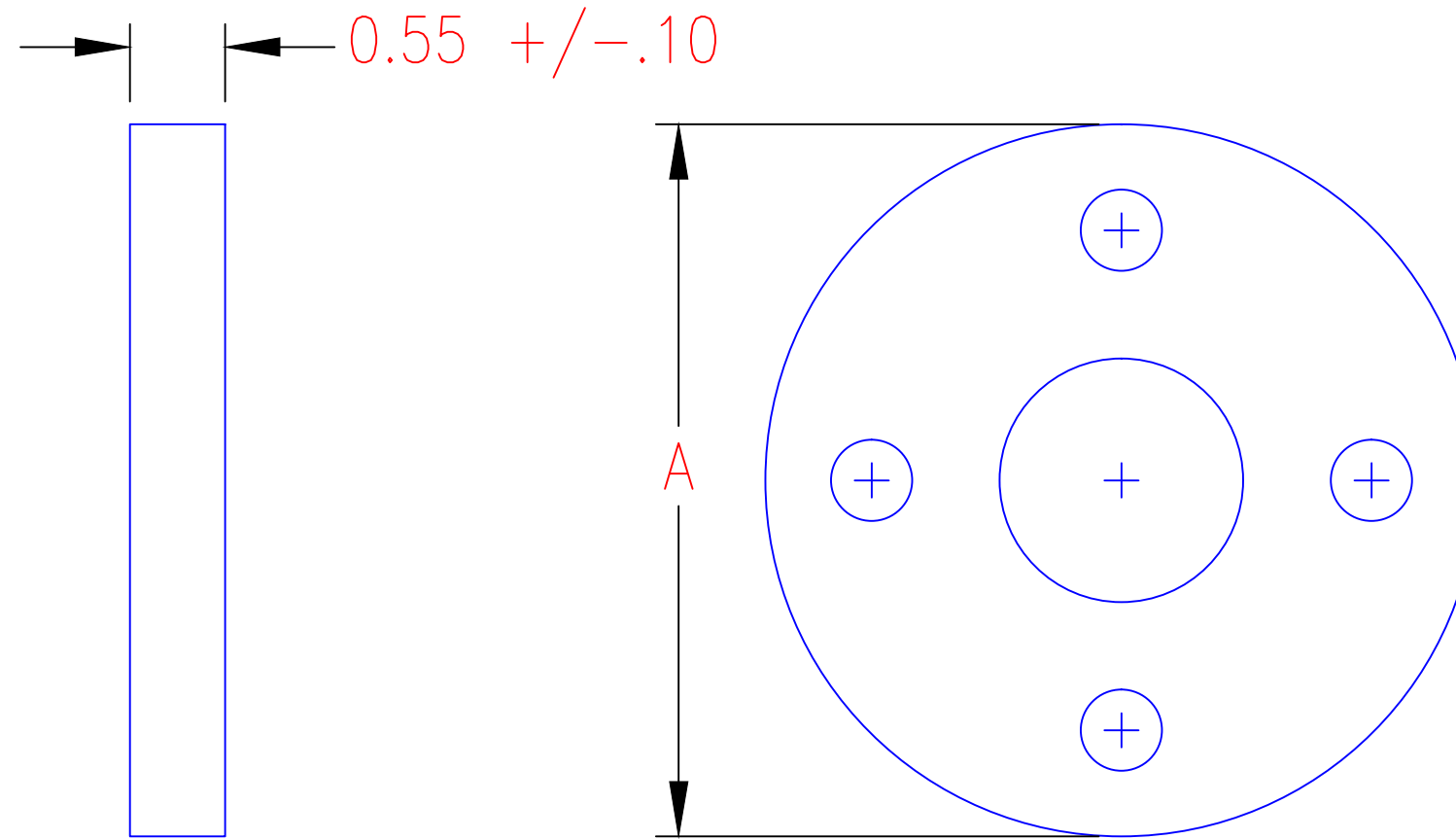


SIZE	A	B	150#ANSI Pattern Holes
1 ½	1.18	1.08	4
2	1.18	1.38	4
3	1.37	1.65	4
4	1.22	1.62	8
6	2.28	2.28	8

EDP. NO. -	DWG. NO. -	REV 0
---------------	---------------	----------


REF.		 BURLINGTON, ONTARIO, CANADA	PART NO. -				
ISSUED			TITLE FLG-Flange				
SCALE	1 : 1	-					
PLOT	NTS	-					
PROD.		MATERIAL -		BY	DRAWN	CHECKED	APPR'VD
<small>LIMITS UNLESS SPECIFIED FRACTIONAL : .015 DECIMAL .XXX : .005 ANGULAR : .5° DO NOT SCALE DRAWING</small>		FINISH ETC. -		NAME	VASIM	-	B.GHALY
				DATE	20/1/16	-	20/1/16
PRINTS BEFORE JAN 20, 2016 ARE VOID							

NO.	ALTERATIONS	DATE	BY	CHK'D

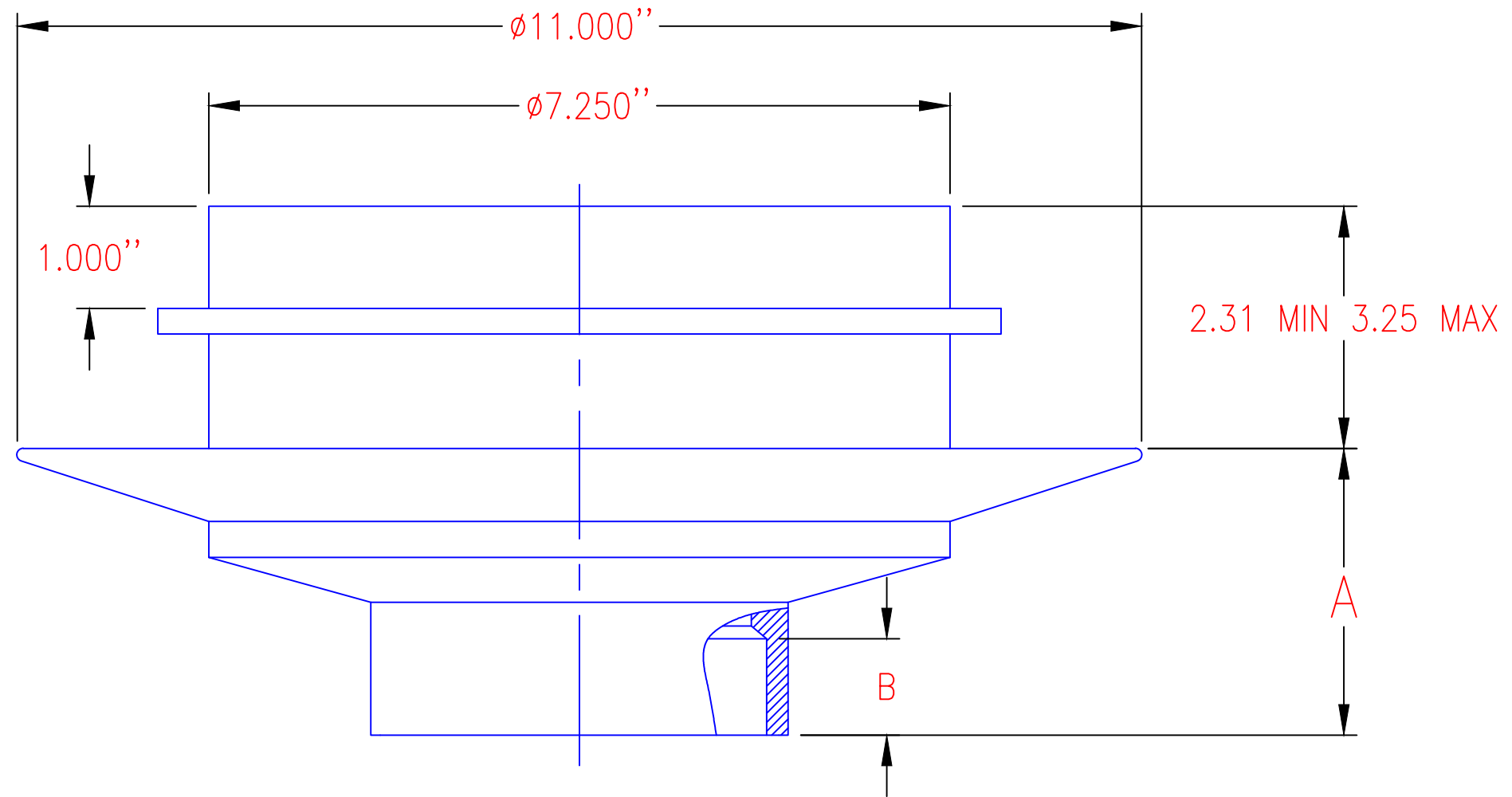


SIZE	A	150#ANSI Pattern Holes
1 1/2	5.00	4
2	6.00	4
3	7.50	4
4	9.00	8
6	11.00	8

EDP. NO.	DWG. NO.	REV
-	-	0


REF.		 BURLINGTON, ONTARIO, CANADA	PART NO.				
ISSUED			-				
SCALE	1 : 1		TITLE BACK UP-Backup Ring				
PLOT	NTS		-				
PROD.			-				
<small>LIMITS UNLESS SPECIFIED FRACTIONAL : .015 DECIMAL .XXX : .005 ANGULAR : .5° DO NOT SCALE DRAWING</small>		MATERIAL	-	BY	DRAWN	CHECKED	APPR'VD
		FINISH ETC.	-	NAME	VASIM	-	B.GHALY
				DATE	8/2/16	-	8/2/16
		PRINTS BEFORE FEB 08, 2016 ARE VOID					

NO.	ALTERATIONS	DATE	BY	CHK'D

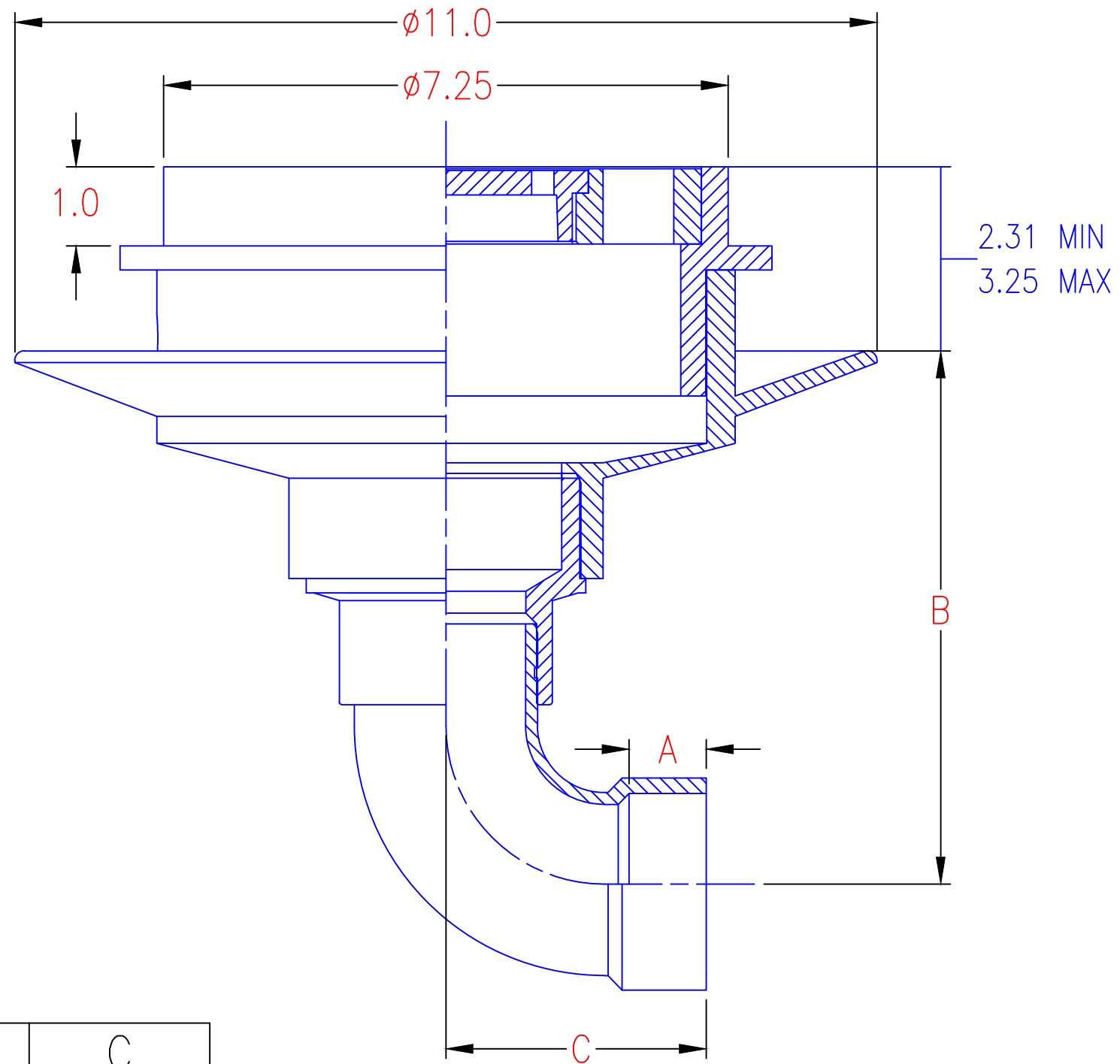


SIZE	A	B
2	4.59	1.05
3	5.34	1.30
4	5.34	1.30
6	7.13	4.74

EDP. NO.	DWG. NO.	REV
-	-	0


REF.		 BURLINGTON, ONTARIO, CANADA	PART NO.			
ISSUED			-			
SCALE	1 : 1		TITLE FLOOR DRAIN SOCKET END - AWFSTD			
PLOT	NTS					
PROD.		MATERIAL	BY	DRAWN	CHECKED	APPR'VD
<small>LIMITS UNLESS SPECIFIED FRACTIONAL : .015 DECIMAL .XXX : .005 ANGULAR : .5° DO NOT SCALE DRAWING</small>		FINISH ETC.	NAME	VASIM	-	B.GHALY
			DATE	20/1/16	-	20/1/16
			PRINTS BEFORE JAN 20, 2016 ARE VOID			

NO.	ALTERATIONS	DATE	BY	CHK'D

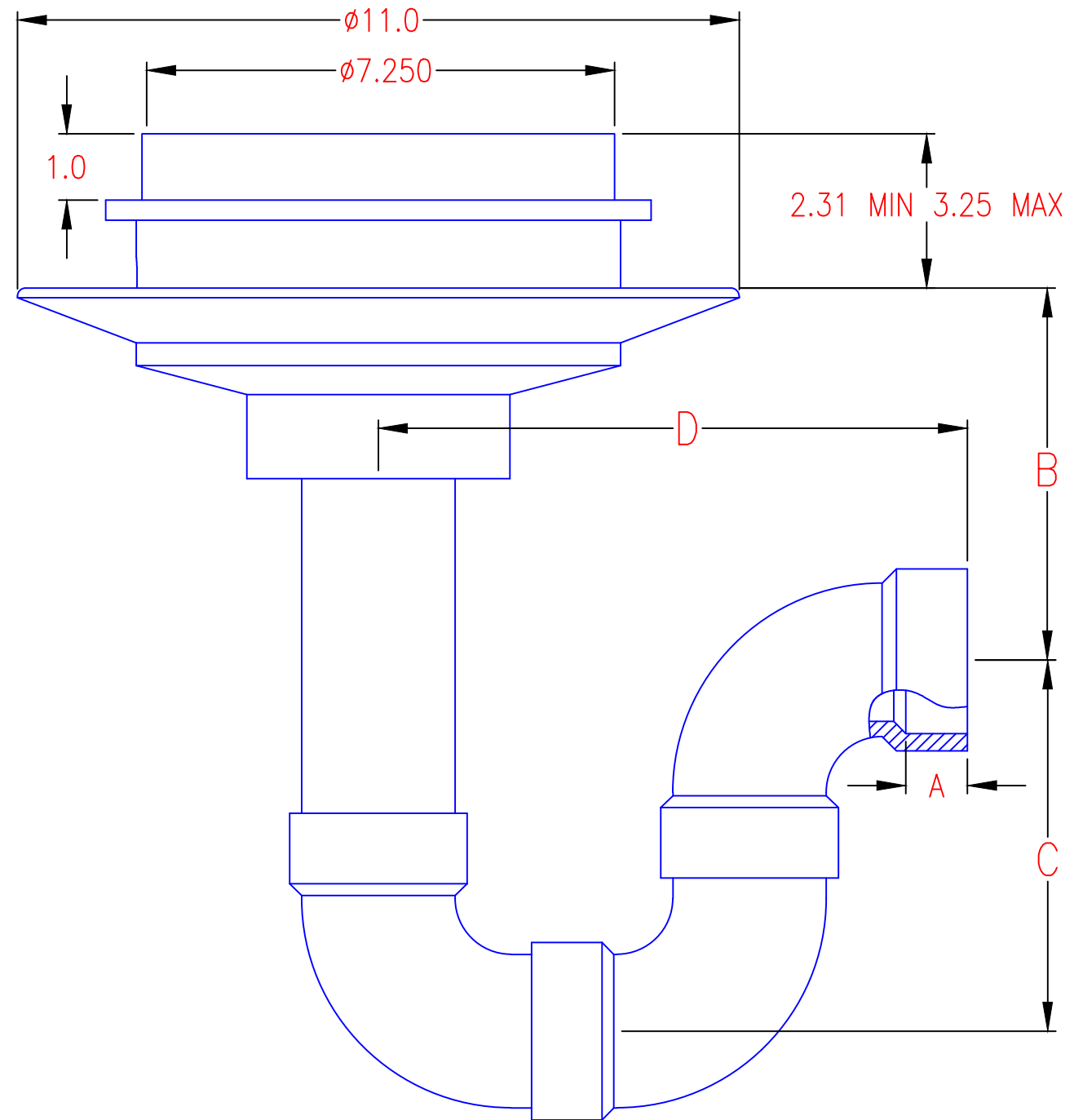


SIZE	A	B	C
2	1.00	6.92	3.38
3	1.42	6.01	4.50
4	1.36	6.60	5.25

EDP. NO.	DWG. NO.	REV
-	-	0


REF.		 BURLINGTON, ONTARIO, CANADA	PART NO.			
ISSUED			-			
SCALE	1 : 1		TITLE FLOOR DRAIN SOCKET END - AWFDSO			
PLOT	NTS					
PROD.		MATERIAL	BY	DRAWN	CHECKED	APPR'VD
<small>LIMITS UNLESS SPECIFIED FRACTIONAL : .015 DECIMAL .XXX : .005 ANGULAR : .5° DO NOT SCALE DRAWING</small>		FINISH ETC.	NAME	VASIM	-	B.GHALY
			DATE	20/1/16	-	20/1/16
			PRINTS BEFORE JAN 20, 2016 ARE VOID			

NO.	ALTERATIONS	DATE	BY	CHK'D

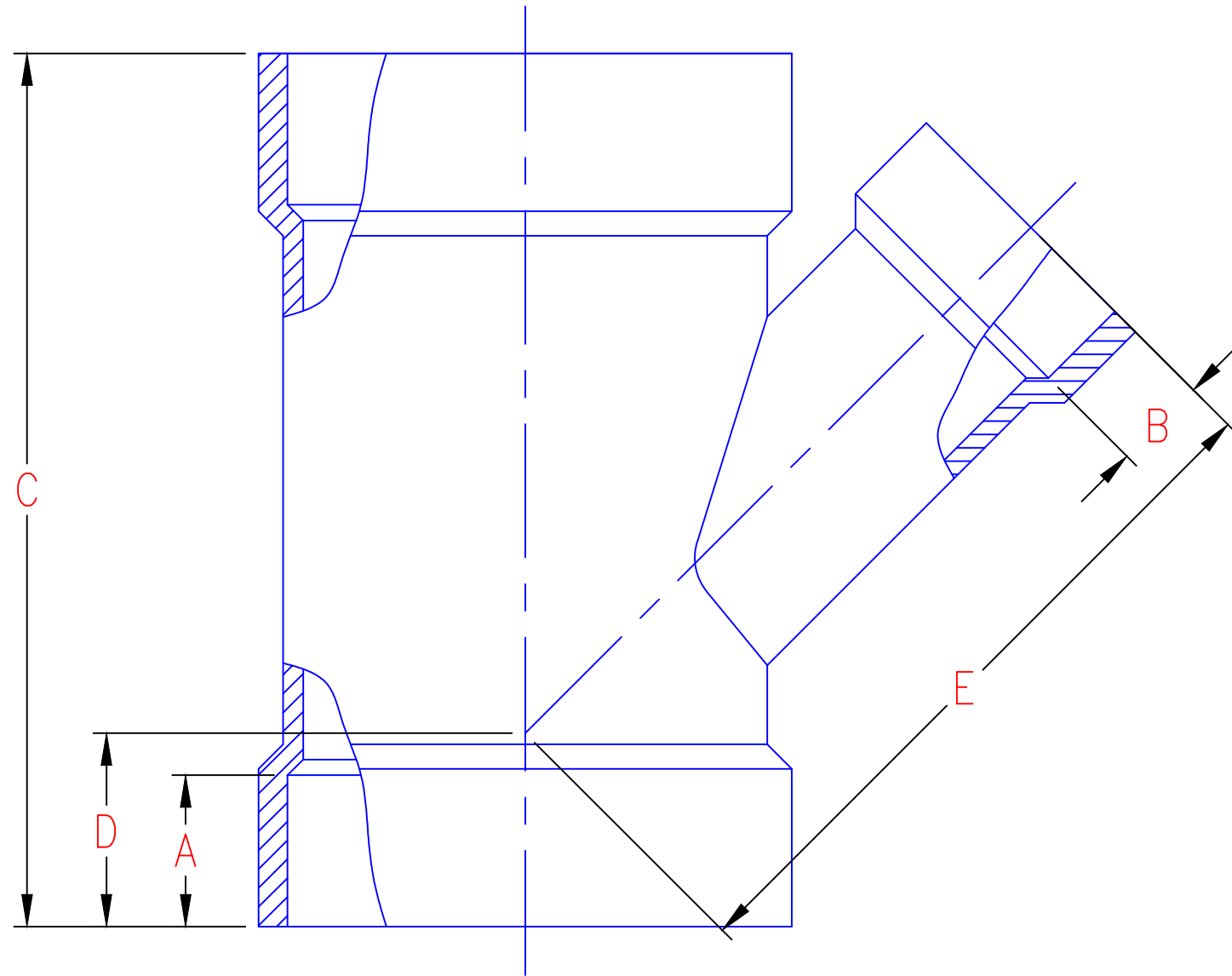


SIZE	A	B	C	D
2	1.00	6.20	5.78	9.15
3	1.44	6.39	7.59	12.11
4	1.36	2.95	8.90	14.15

EDP. NO.	DWG. NO.	REV
-	-	0


REF.		 BURLINGTON, ONTARIO, CANADA	PART NO.				
ISSUED			-				
SCALE	1 : 1	TITLE FLOOR DRAIN SOCKET END - AWFDP					
PLOT	NTS						
PROD.							
LIMITS UNLESS SPECIFIED FRACTIONAL : .015 DECIMAL .XXX : .005 ANGULAR : .5° DO NOT SCALE DRAWING		MATERIAL		BY	DRAWN	CHECKED	APPR'D
		FINISH ETC.		NAME	VASIM	-	B.GHALY
				DATE	21/1/16	-	21/1/16
PRINTS BEFORE JAN 21, 2016 ARE VOID							

NO.	ALTERATIONS	DATE	BY	CHK'D

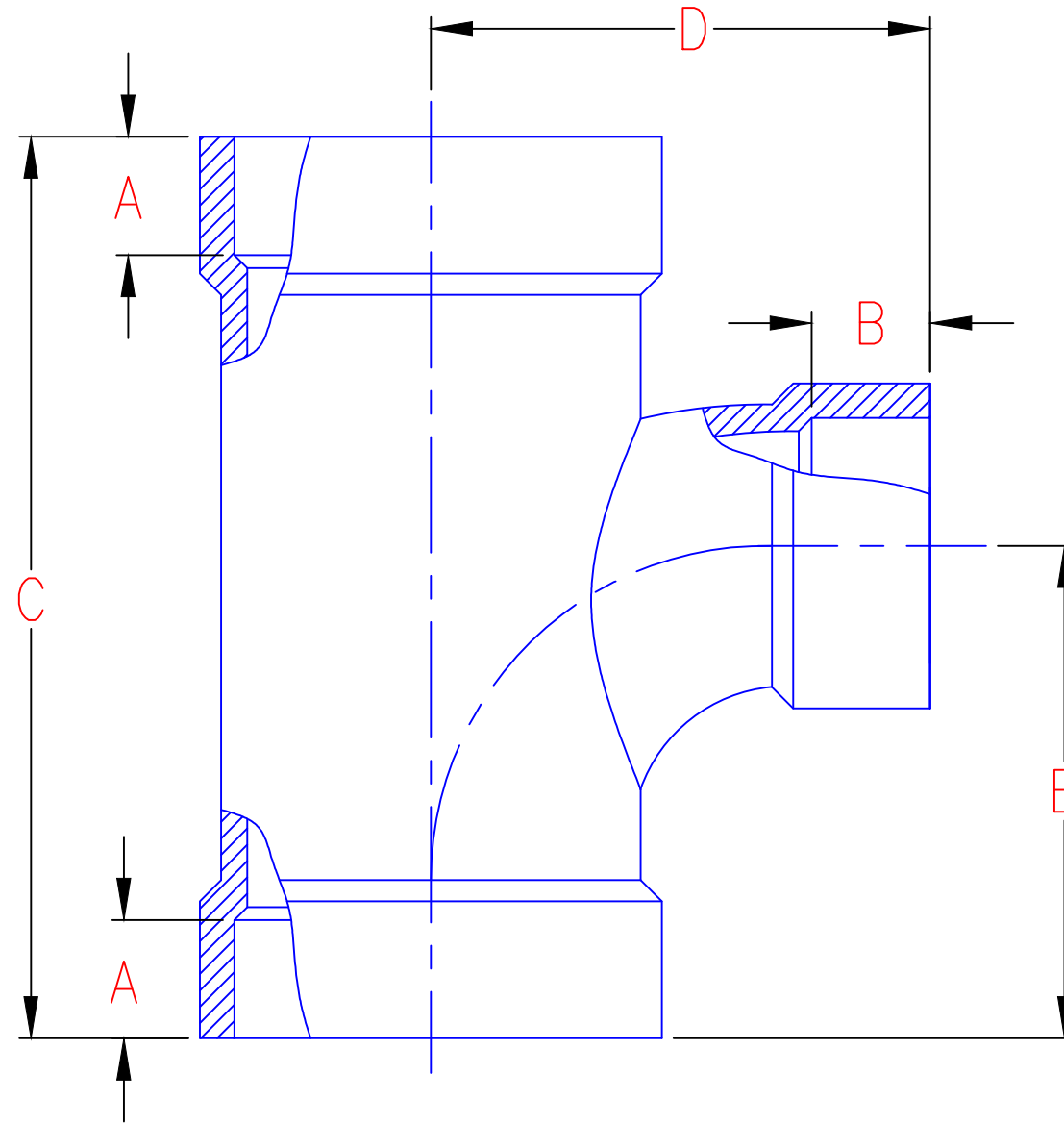


SIZE	A	B	C	D	E
2X1 1/2	1.02	0.92	6.48	2.14	5.75
3X 1 1/2	1.41	0.80	6.22	1.38	5.27
3X2	1.13	0.98	8.19	2.29	6.10
4X1 1/2	1.42	0.92	8.19	1.95	7.56
4X2	1.50	0.98	8.19	1.95	6.56
4X3	1.41	1.25	9.38	2.43	7.24
6X2	2.07	1.05	14.56	3.77	12.80
6X3	2.07	1.31	14.56	3.77	11.08
6X4	1.93	1.50	14.50	3.92	10.79

EDP. NO.	DWG. NO.	REV
-	-	0


REF.		 BURLINGTON, ONTARIO, CANADA	PART NO.				
ISSUED			-				
SCALE	1 : 1		TITLE R45Y-Reducing Single Wye				
PLOT	NTS		-				
PROD.		MATERIAL		BY	DRAWN	CHECKED	APPR'VD
<small>LIMITS UNLESS SPECIFIED FRACTIONAL : .015 DECIMAL .XXX : .005 ANGULAR : .5° DO NOT SCALE DRAWING</small>		FINISH ETC.		NAME	VASIM	-	B.GHALY
		-		DATE	14/1/16	-	14/1/16
		PRINTS BEFORE JAN 14, 2016 ARE VOID					

NO.	ALTERATIONS	DATE	BY	CHK'D

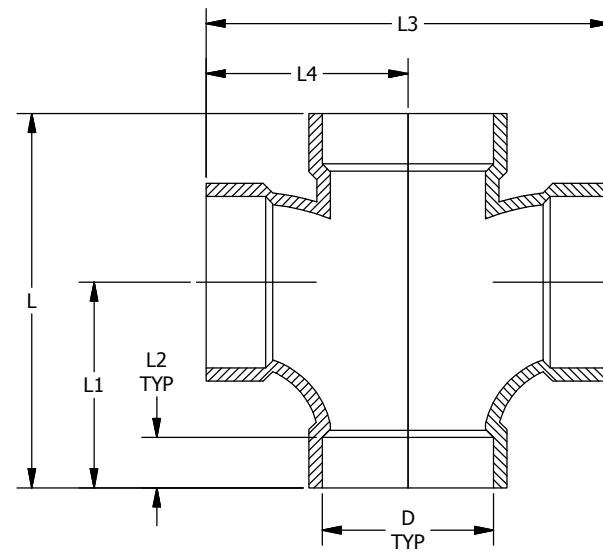
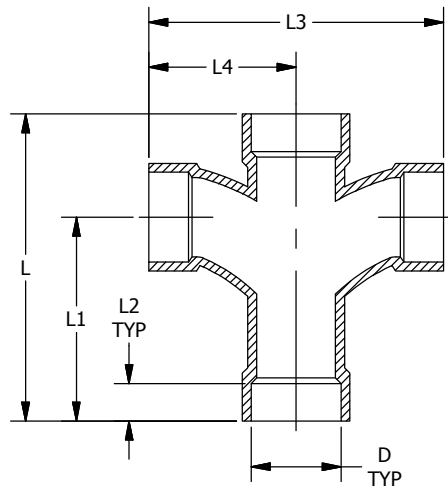
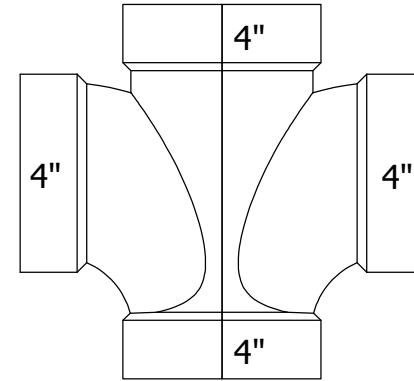
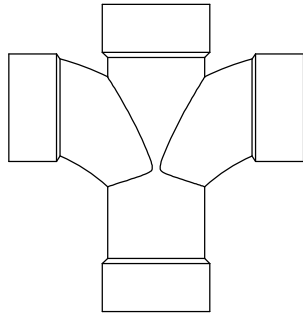


SIZE	A	B	C	D	E
2X1 1/2	1.05	0.80	5.17	2.74	2.68
3X 1 1/2	1.51	0.83	6.70	3.20	3.45
3X2	1.36	0.92	9.88	4.59	5.10
4X1 1/2	1.31	0.80	9.75	7.13	5.35
4X2	1.31	1.03	9.75	6.77	5.35
4X3	1.31	1.34	9.75	6.88	5.35

EDP. NO.	DWG. NO.	REV
-	-	0

REF.		 BURLINGTON, ONTARIO, CANADA	PART NO.			
ISSUED			-			
SCALE	1 : 1	TITLE R90T-Reducing Sanitary Tee				
PLOT	NTS	-				
PROD.		MATERIAL		-		
LIMITS UNLESS SPECIFIED FRACTIONAL : .015 DECIMAL .XXX : .005 ANGULAR : .5' DO NOT SCALE DRAWING		FINISH ETC.		-		
		-		-		
		BY	DRAWN	CHECKED	APPR'D	
		NAME	VASIM	-	B.GHALY	
		DATE	14/1/16	-	14/1/16	
PRINTS BEFORE JAN 14, 2016 ARE VOID						

NO.	ALTERATIONS	DATE	BY	CHK'D



SIZE	PART NUMBER	D	L	L1	L2	L3	L4
2	712230	2.342	8.000	5.313	0.979	7.682	3.841
3	712330						
4	712456	4.466	9.750	5.353	1.313	10.511	5.256

EDP. NO.	-	WATTS ORION FITTINGS <small>BURLINGTON, ONTARIO, CANADA KANSAS CITY, KS 66115, USA</small>		PART NO.	-	
DWG. NO.	-	TITLE SF BL D90T				
REV	0	MATERIAL		WEIGHT -		
PLOT	NTS	703000 VIRGIN 7823/TI4007 PPII RESIN 706006 FLAME RETARDANT - BLUE		BY	DRAWN	APPRV'D
SCALE	1:1			NAME	J.YANG	
COLOR	-	MATERIAL PPII		DATE	26/11/18	
				PRINTS BEFORE	NOV 26, 2018	ARE VOID