

Job Name _____
 Job Location _____
 Engineer _____
 Approval _____

Contractor _____
 Approval _____
 Contractor's P.O. No. _____
 Representative _____

Series 6000HMB

Double Check Valve Assemblies

Sizes: 2½" – 7NST x 3"

Series 6000HMB Portable Hydrant Backflow Preventers are designed to protect drinking water supplies from dangerous cross-connections in accordance with national plumbing codes and water authority requirements for non-potable service applications such as irrigation, fireline, or industrial processing.

For use in protection of water from a fire hydrant or other nonpermanent installation where flow is in one direction only and the possibility of a cross-connection exists. This model can be used where approved by the local authority having jurisdiction on health hazard cross-connections. Ideal for use with client's existing hydrant meter hookup.

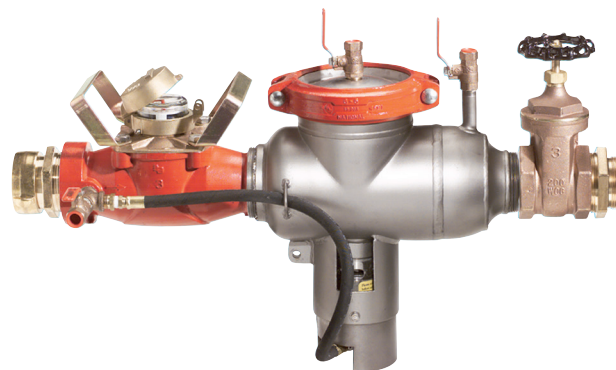
Features

- Designed to retrofit backflow protection onto fire hydrants used for temporary water service.
- Outlet gate valve can be opened/closed slowly to prevent surges.
- Heavy duty relief valve cover prevents vandalism and protects the valve from damage when the 994HMB is transported to another fire hydrant location.
- In-line flow restrictor protects the meter measuring element and the backflow preventer components from damage due to excessive flow.
- Stainless steel kicker bar supplied with each valve for support
- Meets AWWA C701 meter requirements.
- Standardly supplied with 2½"-7 NST fire hose swivel coupling on inlet.
- Only weighs 66 lbs. total.
- Backflow preventer manufactured from 300 Series stainless steel for corrosion resistance.
- Includes the strongest double walled stainless steel inlet strainer available.
- Accurately measure flow and protects the water supply from possible contamination.

NOTICE

The information contained herein is not intended to replace the full product installation and safety information available or the experience of a trained product installer. You are required to thoroughly read all installation instructions and product safety information before beginning the installation of this product.

Ames Fire & Waterworks product specifications in U.S. customary units and metric are approximate and are provided for reference only. For precise measurements, please contact Ames Fire & Waterworks Technical Service. Ames Fire & Waterworks reserves the right to change or modify product design, construction, specifications, or materials without prior notice and without incurring any obligation to make such changes and modifications on Ames Fire & Waterworks products previously or subsequently sold.



6000HMB

Materials

Housing:	Heat treated aluminum alloy/ stainless-steel
Nose Cone and Straightening Vanes:	Thermoplastic
Rotor:	Thermoplastic
Rotor Radial Bearings:	Lubricated Thermoplastic
Rotor Thrust Bearings:	Sapphire Jewels
Rotor Bearing Pivots:	Passivated 316 Stainless Steel
Calibration Mechanism:	Stainless Steel and Thermoplastic
Flow Restriction Orifice:	Heat Treated Aluminum Alloy
Magnet:	Ceramic
Register Cover:	Bronze
Trim:	Stainless Steel
Inlet Screen:	Stainless Steel with Elastomer

Specifications

Typical Operating Range (100%±1.5%)	5 – 660 GPM (1.1 to 150 m3/h)
Maximum Continuous Flow	450 GPM (102 m3/h)
Maximum Intermittent Flow	660 GPM (150 m3/h)
Typical Low Flow (Min. 95%)	4 GPM (0.9 m3/h)
Pressure Loss at Maximum	37 psi @ 450 GPM (2.55 bar @ 102 m3/h) (standard couplings with orifice and screen)
Continuous Operation	Note: 23 psi @ 350 GPM
Maximum Operating Pressure	150 psi (10 bar)
Standard Hose Coupling	2½" – 7" NST threads (78P – 3.4mm) (National standard fire hose coupling thread)
Register	Straight reading, permanently sealed magnetic drive standard.
Registration	100,000,000 Gallons 100 gallons/sweep hand revolution. 10,000,000 Cubic Feet 10 cubic ft./sweep hand revolution. 1,000,000 m3 1 m3/sweep hand revolution.
Flow Restriction (Orifice)	Limits flow through the meter to 660 GPM at 85 psi system pressure with standard couplings. (150 m3/h at 5.9 bar)

Typical Installation – Hydrant Meter Backflow



⚠ WARNING

It is illegal to use this product in any plumbing system providing water for human consumption, such as drinking or dishwashing, in the United States. Before installing standard material product, consult your local water authority, building and plumbing codes.



A WATTS Brand

Approvals

Model 6000HMB Hydrant Meter Backflow Preventer meets the design requirements of most national standards. Due to the portability of the unit, there are no national approvals available. Contact the factory for specific approvals on the reduced pressure backflow preventer.

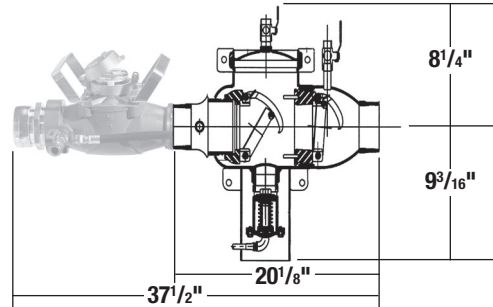
Dimensions – Weight

Overall lay length: 37½"

Weight: 66 lbs.

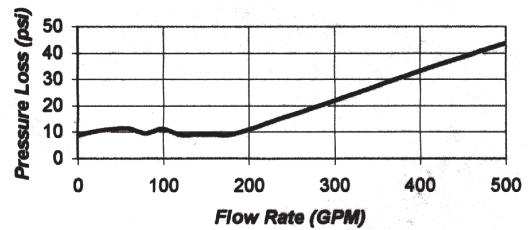
Height from top of open gate valve to bottom of relief valve 19"

Width: 10"

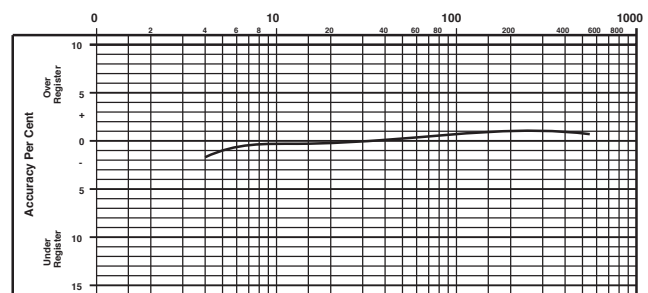


MODEL	WEIGHT	
	lbs.	kg
6000HMB-GPM	66	30
6000HMB-CFM	66	30

Pressure Loss Chart Rate of Flow in Gallons per Minute



Accuracy Chart Rate of Flow in Gallons per Minute



NOTICE

Inquire with governing authorities for local installation requirements

USA: Backflow Tel: (978) 689-6066 • Fax: (978) 975-8350 • AmesFireWater.com
USA: Control Valves Tel: (713) 943-0688 • Fax: (713) 944-9445 • AmesFireWater.com
Canada: Tel: (905) 332-4090 • Fax: (905) 332-7068 • AmesFireWater.ca
Latin America: Tel: (52) 81-1001-8600 • AmesFireWater.com