

Engineering Specification

Job Name _____

Contractor _____

Job Location _____

Approval _____

Engineer _____

Contractor's P.O. No. _____

Approval _____

Representative _____

Tag _____

BCO-140

Floor Cleanout with Round Top, Pull Nipple

Specification

BLÜCHER BCO-140 AISI Type 316 stainless steel floor cleanout w/gasket seal round top, pull nipple for cover removal and spigot connection.

Dimensions

Model No.	Global Part #	Pipe Size D	H	H1
BCO-143-316	199-13488-04 S	3"(75)	6"(156)	2 1/2"(63)
* BCO-144-316	199-13488-01 S	4"(110)	7 1/8"(181)	-

Load Rating
MD

NOTICE

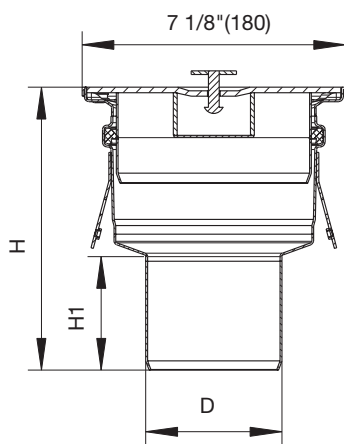
The load classifications are in accordance with the American National Standards ASME A112.6.3 ASME Ratings are as follows: MD - Safe Live Load 2000-4999 lbs.(900-2250 kg) The above categories are given as a guide only. Please consult factory.

NOTICE

The information contained herein is not intended to replace the full product installation and safety information available or the experience of a trained product installer. You are required to thoroughly read all installation instructions and product safety information before beginning the installation of this product.



BCO-140



Approvals



Compliance with NSF/ANSI/3-A 14159-1-Hygiene Requirements for the Design of Meat and Poultry Processing Equipment



* Product is certified to the uniform plumbing code ASME A112.6.3



A WATTS Brand