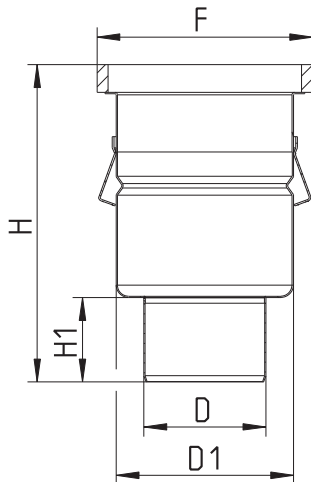


**SPECIFICATION:** BLÜCHER BFD-430 AISI Type 304 stainless steel on-grade floor drain with 12"(300) round fixed top, 1/8"(3) grating (standard), and no hub bottom outlet.



**Bottom Outlet**



Optional Gratings			
	Suffix	Description	
	-None	1/8" (Standard)	<input type="checkbox"/>
	-LG	Ladder Grating	<input type="checkbox"/>
	-MG	Mesh Grating	<input type="checkbox"/>
	-SG	Slot Grating	<input type="checkbox"/>

Options		
Suffix	Description	
-316	Type 316 Stainless Steel	<input type="checkbox"/>
-B	Sediment Basket	<input type="checkbox"/>
-P	Stainless Steel P-Trap	<input type="checkbox"/>
-SB	Sand Bucket	<input type="checkbox"/>
-TPT	Trap Primer Tapping	<input type="checkbox"/>
-VP	Grate Secured w/Vandal Proof Screws	<input type="checkbox"/>
-W	Water Trap	<input type="checkbox"/>

**Dimensional Chart**

Model No.	Pipe Size D	D1	Top Size F	H	H1
BFD-434	4"(110)	10-1/4"(260)	11-5/8"(295)	12-7/8"(327)	3"(76)
BFD-436	6"(160)	10-1/4"(260)	11-5/8"(295)	13-5/8"(346)	3-3/4"(95)

Job Name \_\_\_\_\_ Contractor \_\_\_\_\_  
 Job Location \_\_\_\_\_ Approval \_\_\_\_\_  
 Engineer \_\_\_\_\_ Contractor's P.O. No. \_\_\_\_\_  
 Approval \_\_\_\_\_ Representative \_\_\_\_\_



A Watts Water Technologies Company



**USA:** 100 Watts Road, Spindale, NC, 28160-2298; www.blucherdrains.com  
**Canada:** 5435 North Service Rd., Burlington, ONT. L7L 5H7; www.blucherdrains.ca