

For Commercial Applications

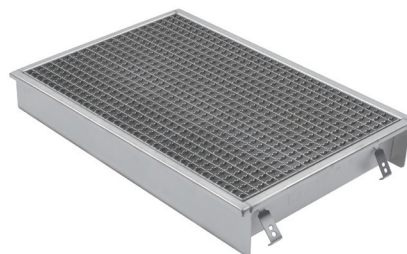
Job Name _____	Contractor _____
Job Location _____	Approval _____
Engineer _____	Contractor's P.O. No. _____
Approval _____	Representative _____
Tag _____	

BKC-400

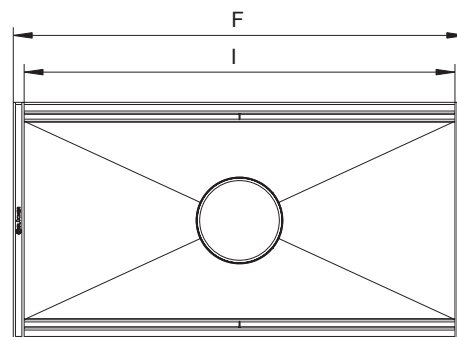
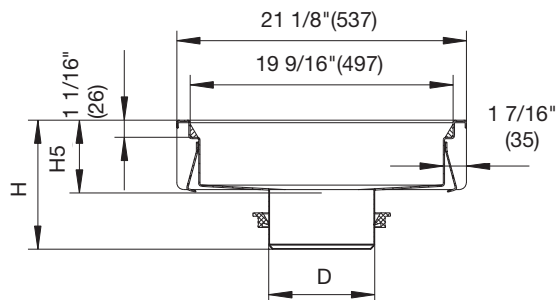
20"x40" Kitchen Channel

Specification

BLÜCHER BKC-400 AISI Type 304 stainless steel 20"x40"(500x1000) x (specify) deep kitchen channel with 1"(25) thick mesh grating, and bottom outlet.



BKC-400



Dimensions

Model No.	Global Part #	Pipe Size		H	Depth	
		D	F		H5	I
BKC-404-6	660GH010-15.22	4"(102)	40 13/16"(1037)	10"(253)	5 7/8"(150)	39 1/4"(997)
BKC-406-2	660GK010-06.22	6"(160)	40 13/16"(1037)	5 11/16"(145)	2 3/8"(60)	39 1/4"(997)
BKC-406-4	660GK010-11.22	6"(160)	40 13/16"(1037)	7 11/16"(195)	4 5/16"(110)	39 1/4"(997)
BKC-406-6	660GK010-15.22	6"(160)	40 13/16"(1037)	9 1/4"(235)	5 7/8"(150)	39 1/4"(997)

Options (Select One Or More)		
-316	Type 316 Stainless Steel	<input type="checkbox"/>
-B	Sediment Basket	<input type="checkbox"/>
-E	Edge Infill	<input type="checkbox"/>
-FC	Outlet with Flushing Flange & Clamp	<input type="checkbox"/>
-LD	Grate Locking Device	<input type="checkbox"/>
-P	Stainless Steel P-Trap	<input type="checkbox"/>
-SB	Sand Bucket (6"(160) Outlet Only)	<input type="checkbox"/>

Optional Gratings		
Suffix	Description	
-LG	Heavy Duty Ladder Grating	<input type="checkbox"/>

Approvals



Compliance with NSF/ANSI/3-A 14159-1-Hygiene Requirements for the Design of Meat and Poultry Processing Equipment



NOTICE

The information contained herein is not intended to replace the full product installation and safety information available or the experience of a trained product installer. You are required to thoroughly read all installation instructions and product safety information before beginning the installation of this product.



A WATTS Brand

USA: T: (800) 338-2581 • F: (828) 248-3929 • BLUCHERpipe.com
Canada: T: (905) 332-4090 • F: (905) 332-7068 • BLUCHERpipe.com
Latin America: T: (52) 81-1001-8600 • BLUCHERpipe.com