

## For Commercial, Industrial & Marine Applications

Job Name \_\_\_\_\_  
 Job Location \_\_\_\_\_  
 Engineer \_\_\_\_\_  
 Approval \_\_\_\_\_  
 Tag \_\_\_\_\_

Contractor \_\_\_\_\_  
 Approval \_\_\_\_\_  
 Contractor's P.O. No. \_\_\_\_\_  
 Representative \_\_\_\_\_

# B-CHP

## Clamps & Hangers

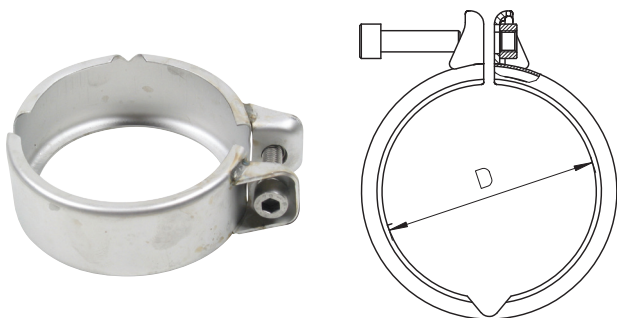
### Specification

BLÜCHER PIPE AISI Type 316L (standard) stainless steel pipe system, with Push-Fit socket connections with EPDM (standard) sealing ring. All BLÜCHER PIPE to be treated with pickling and passivation finish process.

### Joint Clamp Dimensional Chart

Model No.	D	
JC-1.5	1.5"(40)	<input type="checkbox"/>
JC-2	2"(50)	<input type="checkbox"/>
JC-3	3"(75)	<input type="checkbox"/>
JC-4	4"(110)	<input type="checkbox"/>
JC-6	6"(160)	<input type="checkbox"/>
JC-8	8"(200)	<input type="checkbox"/>
JC-10	10"(250)	<input type="checkbox"/>

Global Ref. # 847.XXX.XXX

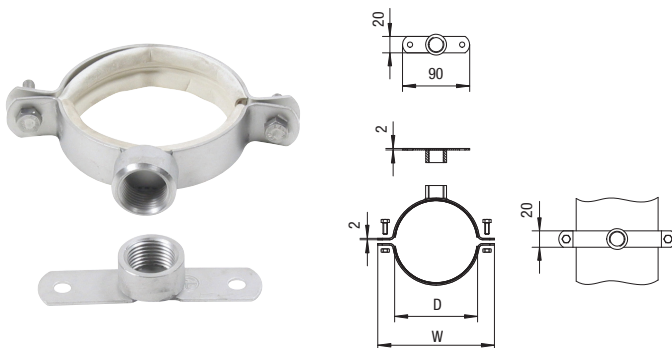


Joint Clamp

### 2-Piece Pipe Hanger Dimension Chart

Model No.	D	Thread Size	
PH2-1.5-3/8	1.5"(40)	3/8"	<input type="checkbox"/>
PH2-1.5-1/2	1.5"(40)	1/2" BSP	<input type="checkbox"/>
PH2-2-3/8	2"(50)	3/8"	<input type="checkbox"/>
PH2-2-1/2	2"(50)	1/2" BSP	<input type="checkbox"/>
PH2-3-3/8	3"(75)	3/8"	<input type="checkbox"/>
PH2-3-1/2	3"(75)	1/2" BSP	<input type="checkbox"/>
PH2-4-3/8	4"(110)	3/8"	<input type="checkbox"/>
PH2-4-1/2	4"(110)	1/2" BSP	<input type="checkbox"/>
PH2-6-3/8	6"(160)	3/8"	<input type="checkbox"/>
PH2-6-1/2	6"(160)	1/2" BSP	<input type="checkbox"/>

Global Ref. # 895.012.XXX



2-Piece Pipe Hanger

### NOTICE

The information contained herein is not intended to replace the full product installation and safety information available or the experience of a trained product installer. You are required to thoroughly read all installation instructions and product safety information before beginning the installation of this product.

### Approvals



Compliance with NSF/ANSI/3-A 14159-1-Hygiene Requirements for the Design of Meat and Poultry Processing Equipment



Product is certified to the uniform plumbing code ASME A112.6.3

Watts product specifications in U.S. customary units and metric are approximate and are provided for reference only. For precise measurements, please contact Watts Technical Service. Watts reserves the right to change or modify product design, construction, specifications, or materials without prior notice and without incurring any obligation to make such changes and modifications on Watts products previously or subsequently sold.



A WATTS Brand

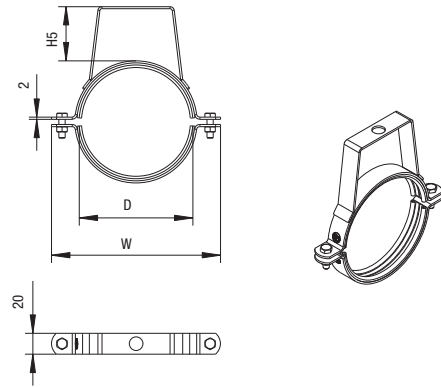
## Adjustable Pipe Hanger Dimensional Chart

Model No.	D	
PHA-1.5	1.5"(40)	<input type="checkbox"/>
PHA-2	2"(50)	<input type="checkbox"/>
PHA-3	3"(75)	<input type="checkbox"/>
PHA-4	4"(110)	<input type="checkbox"/>
PHA-6	6"(160)	<input type="checkbox"/>

Global Ref. # 895.200.XXXS



Adjustable Pipe Hanger



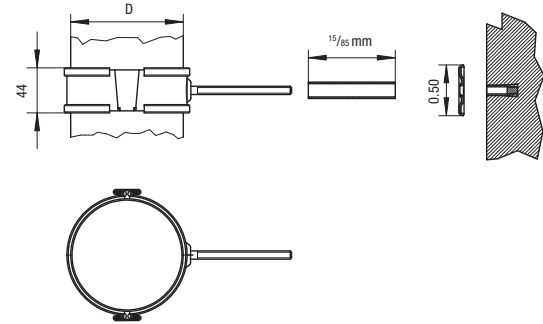
## Pipe Hanger Dimensional Chart

Model No.	D	
PH-2	2"(50)	<input type="checkbox"/>
PH-3	3"(75)	<input type="checkbox"/>
PH-4	4"(110)	<input type="checkbox"/>
PH-6	6"(160)	<input type="checkbox"/>

Global Ref. # 860.040.XXX



Pipe Hanger



## Sway Brace

Model No.	
SB-1	<input type="checkbox"/>

Global Ref. # 847.000.000



Sway Brace



A WATTS Brand