

## For Commercial, Industrial & Marine Applications

Job Name \_\_\_\_\_  
 Job Location \_\_\_\_\_  
 Engineer \_\_\_\_\_  
 Approval \_\_\_\_\_  
 Tag \_\_\_\_\_

Contractor \_\_\_\_\_  
 Approval \_\_\_\_\_  
 Contractor's P.O. No. \_\_\_\_\_  
 Representative \_\_\_\_\_

# B-SRP

## Sealing Rings

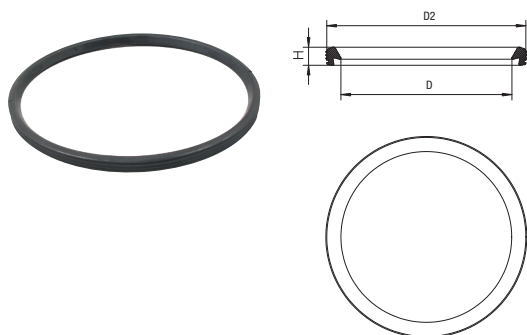
### Specification

BLÜCHER PIPE AISI Type 316L (standard) stainless steel pipe system, with Push-Fit socket connections with EPDM (standard) sealing ring. All BLÜCHER PIPE to be treated with pickling and passivation finish process.

### EPDM Sealing Ring Black (Standard) Dimensional Chart

Model No.	D	H	D2	
EPDM-1-¼	1-¼"(32)	¼"(6)	1- <sup>5</sup> / <sub>8</sub> "(40)	<input type="checkbox"/>
EPDM-1-½	1-½"(40)	⅜"(8)	2- <sup>1</sup> / <sub>16</sub> "(52)	<input type="checkbox"/>
EPDM-2	2"(50)	⅜"(8)	2-½"(62)	<input type="checkbox"/>
EPDM-3	3"(75)	⅜"(8)	3- <sup>7</sup> / <sub>16</sub> "(87)	<input type="checkbox"/>
EPDM-4	4"(110)	⅜"(9)	4- <sup>15</sup> / <sub>16</sub> "(124)	<input type="checkbox"/>
EPDM-5	5"(125)	<sup>17</sup> / <sub>16</sub> "(10)	5- <sup>5</sup> / <sub>8</sub> "(142)	<input type="checkbox"/>
EPDM-6	6"(160)	½"(12)	7- <sup>1</sup> / <sub>8</sub> "(180)	<input type="checkbox"/>
EPDM-8	8"(200)	<sup>9</sup> / <sub>16</sub> "(13)	8- <sup>13</sup> / <sub>16</sub> "(224)	<input type="checkbox"/>
EPDM-10	10"(250)	¾"(19)	11- <sup>1</sup> / <sub>8</sub> "(282)	<input type="checkbox"/>

Global Ref. # 801.EPDM.XXX

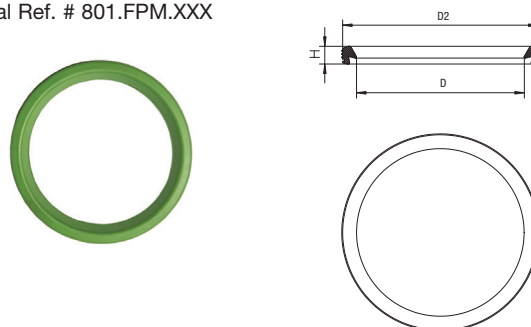


EPDM Sealing Ring Black (Standard)

### FPM Sealing Ring Green (High Temperature Applications) Dimensional Chart

Model No.	D	H	D2	
FPM-1.5	1.5"(40)	⅜"(8)	2- <sup>1</sup> / <sub>16</sub> "(52)	<input type="checkbox"/>
FPM-2	2"(50)	⅜"(8)	2-½"(62)	<input type="checkbox"/>
FPM-3	3"(75)	⅜"(8)	3- <sup>7</sup> / <sub>16</sub> "(87)	<input type="checkbox"/>
FPM-4	4"(110)	⅜"(9)	4- <sup>15</sup> / <sub>16</sub> "(124)	<input type="checkbox"/>
FPM-5	5"(125)	<sup>7</sup> / <sub>16</sub> "(10)	5- <sup>5</sup> / <sub>8</sub> "(142)	<input type="checkbox"/>
FPM-6	6"(160)	½"(12)	7- <sup>1</sup> / <sub>8</sub> "(180)	<input type="checkbox"/>
FPM-8	8"(200)	<sup>9</sup> / <sub>16</sub> "(13)	8- <sup>13</sup> / <sub>16</sub> "(224)	<input type="checkbox"/>
FPM-10	10"(250)	¾"(19)	11- <sup>1</sup> / <sub>8</sub> "(282)	<input type="checkbox"/>

Global Ref. # 801.FPM.XXX



FPM Sealing Ring Green (High Temperature Applications)

### NOTICE

The information contained herein is not intended to replace the full product installation and safety information available or the experience of a trained product installer. You are required to thoroughly read all installation instructions and product safety information before beginning the installation of this product.

### Approvals



Compliance with NSF/ANSI-3-A 14159-1-Hygiene Requirements for the Design of Meat and Poultry Processing Equipment



Product is certified to the uniform plumbing code ASME A112.6.3

Watts product specifications in U.S. customary units and metric are approximate and are provided for reference only. For precise measurements, please contact Watts Technical Service. Watts reserves the right to change or modify product design, construction, specifications, or materials without prior notice and without incurring any obligation to make such changes and modifications on Watts products previously or subsequently sold.

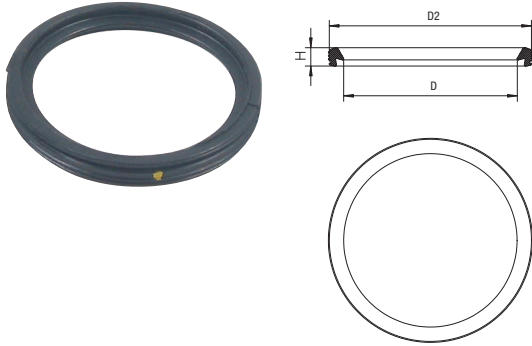


A WATTS Brand

## NBR Sealing Ring Yellow Dot (Petroleum Applications)

Model No.	D	H	D2	
NBR-1.5	1.5"(40)	$\frac{3}{8}$ "(8)	$2-\frac{1}{16}$ "(52)	<input type="checkbox"/>
NBR-2	2"(50)	$\frac{3}{8}$ "(8)	$2-\frac{1}{2}$ "(62)	<input type="checkbox"/>
NBR-3	3"(75)	$\frac{3}{8}$ "(8)	$3-\frac{7}{16}$ "(87)	<input type="checkbox"/>
NBR-4	4"(110)	$\frac{3}{8}$ "(9)	$4-\frac{15}{16}$ "(124)	<input type="checkbox"/>
NBR-5	5"(125)	$\frac{7}{16}$ "(10)	$5-\frac{5}{8}$ "(142)	<input type="checkbox"/>
NBR-6	6"(160)	$\frac{1}{2}$ "(12)	$7-\frac{1}{8}$ "(180)	<input type="checkbox"/>
NBR-8	8"(200)	$\frac{9}{16}$ "(13)	$8-\frac{13}{16}$ "(224)	<input type="checkbox"/>
NBR-10	10"(250)	$\frac{3}{4}$ "(19)	$11-\frac{1}{8}$ "(282)	<input type="checkbox"/>

Global Ref. # 801.NBR.XXX



NBR Sealing Ring Yellow Dot (Petroleum Applications)



A WATTS Brand

USA: T: (800) 338-2581 • F: (828) 248-3929 • Watts.com  
 Canada: T: (888) 208-8927 • F: (888) 479-2887 • Watts.ca  
 Latin America: T: (52) 55-4122-0138 • Watts.com